

Product description**Z61 analog encoder****Z61 analog encoder****Application**

The Z61 analog encoder with a DC 0 - 10 V continuous signal can be used as a manual input device at field level to set control values; it can be used to manually adjust damper valves and valve actuators, for example.



Contents	Page
Important Information on Product Safety	2
Item	3
Technical data	3
Dimensions	3
Connection.....	4

Änderungen vorbehalten - Contents subject to change - Sous réserve de modifications - Reservado el derecho a modificación - Wijzigingen voorbehouden - Con riserva di modifichie - Innehåll som skall ändras - Změny vyhrazeny - Zmiany zastrzeżone - Возможны изменения - A változtatások jogát fenntartjuk - 保留未经通知而改动的权力

Important Information on Product Safety

Safety Instructions

This data sheet contains information on installing and commissioning the product "Z61 analog encoder". Each person who carries out work on this product must have read and understood this data sheet. If you have any questions that are not resolved by this data sheet, you can obtain further information from the supplier or manufacturer.

If the product is not used in accordance with this data sheet, the protection provided will be impaired.

Applicable regulations must be observed when installing and using the device. Within the EU, these include regulations regarding occupational safety and accident prevention as well as those from the VDE (Association for Electrical, Electronic & Information Technologies). If the device is used in other countries, it is the responsibility of the system installer or operator to comply with local regulations.

Mounting, installation and commissioning work on the devices may only be carried out by qualified technicians. Qualified technicians are persons who are familiar with the described product and who can assess given tasks and recognize possible dangers due to technical training, knowledge and experience as well as knowledge of the appropriate regulations.

Meaning of the Symbols



WARNING

Indicates a hazard of medium risk which can result in death or severe bodily injury if it is not avoided.



CAUTION

Indicates a hazard of low risk which can result in minor or medium bodily injury if it is not avoided.



NOTICE

Indicates a hazard of medium risk which can result in material damage or malfunctions if it is not avoided.



Note

Indicates additional information that can simplify the work with the product for you.

Notes on Disposal

For disposal, the product is considered waste from electrical and electronic equipment (electronic waste) and must not be disposed of as household waste. Special treatment for specific components may be legally binding or ecologically sensible. The local and currently applicable legislation must be observed.

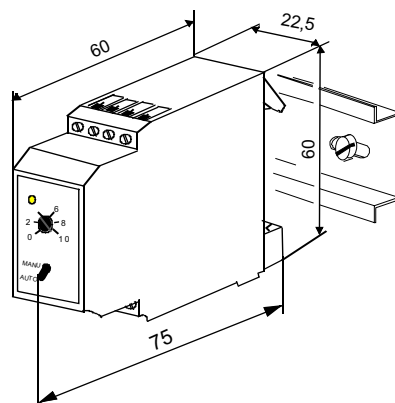
Item

Z61	Analog encoder with a DC 0 - 10 V continuous signal, with manual input device at field level and a potential-free feedback contact
-----	--

Technical data

Connection	AC/DC 24 V, AC 24 mA/DC 19 mA
Input	YR terminal: DC 0 - 10 V, current consumption 0.2 mA
Output	Y terminal in Manu switch position: DC 0 - 10 V, max. 1 mA
Display	LED display for output signal, brightness proportional to output signal with DC 0 - 10 V
Manual switch	Auto/Manu (Automatic/Manual) at field level, with feedback
Adjuster	For a DC 0 - 10 V output signal in Manu (Manual) switch position at field level
Connection	Terminal connection, max. 2.5 mm ²
Degree of protection	Terminals IP20 Housing IP50
Dimensions	WxHxD mm 50x50x19
Ambient temperature	-10 - +50 °C
Weight	70 g
Mounting	Control panel installation on standard rail EN 50022 - 35 x 7.5; can be snapped open without there having to be free space to the left/right; installation position can be chosen freely

Dimensions



Connection

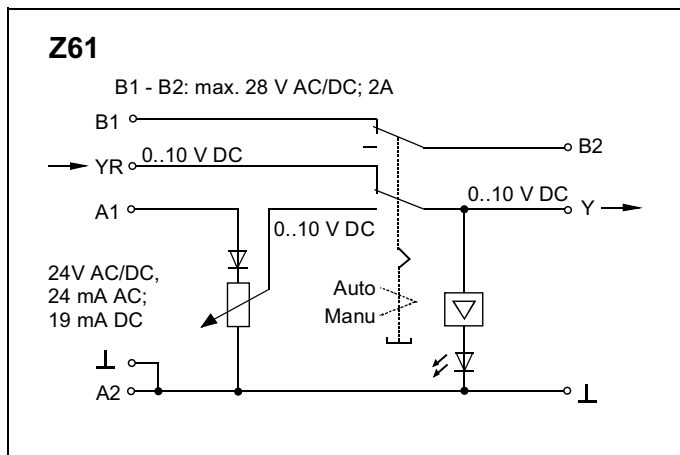


Fig. Switch in automatic position
B1, B2 Feedback



WARNING

Contact with live parts of electrical domestic installation can cause death due to electric shock.
Mounting/removal may only be carried out when power is switched off.
Comply with VDE guidelines and local wiring regulations when mounting/removing.