

Application

The I/O components UP1-L..UP4-L are deployed with the technolon® Room Modules DDC110-L.

They provide the connection of a presence detector and a window contact or dew-point detector or malfunction message input to control a heating and cooling valve as well as activate 3-level ventilators.

The component is installed in a flush-mounted box.

An I/O component UP1..4-L can be connected to every Room Module DDC100-L.

The I/O component and technolon® Room Module form a device unit.

Types

- UP1-L I/O component with
- 2 digital inputs for the connection of a presence detector and window contact, dew-point detector or malfunction message.
 - 2 Thyristor switching outputs 24 V AC, 1 A for the activation of the heating and cooling valve.
- UP2-L I/O component such as UP1-L, but additionally furnished with
- 3 Relay outputs 250 V AC, 6 A (3-level fan control)
- UP3-L I/O component with
- 2 2 digital inputs for the connection of a presence detector and window contact, dew-point detector or malfunction message.
 - 2 analog outputs 0..10 V DC, 10 mA for continual control of the heating and cooling valve.
- UP4-L I/O component such as UP3-L, but additionally furnished with
- 3 Relay outputs 250 V AC, 6 A (3-level fan control)



Fig. UP2-L

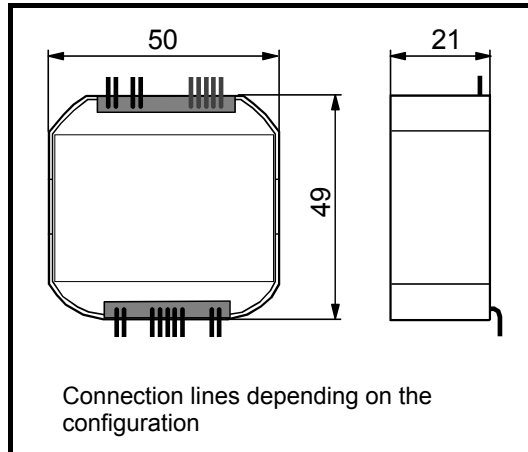
Technical data

Operating voltage	5 V DC, power supply from the technolon® Room Module DDC110-L on 5-pole pluggable connecting lead. With the connection of the I/O component, the current consumption of the Room Module DDC110-L increases. DDC110-L with UP1-L = 20 mA DDC110-L with UP2-L = 35 mA DDC110-L with UP3-L = 30 mA DDC110-L with UP4-L = 55 mA	
Digital inputs:	UP1-L .. UP4-L	<ul style="list-style-type: none"> 1 Digital input, potential-free for presence detector 1 digital input, potential-free for window contact, dew-point detector or malfunction message
Outputs/mains	UP1-L ..	<ul style="list-style-type: none"> 2 Thyristor switching outputs for the activation of the control devices heating/cooling, mains connection 24 V AC, max. 1 A
	UP2-L	<ul style="list-style-type: none"> 2 Thyristor switching outputs for the activation of the control devices heating/cooling, mains connection 24 V AC, max. 1 A 3 Relay outputs, potential-free for the activation of the three ventilator speeds, mains connection 230 V AC, max. 3 x 6 A
	UP3-L	<ul style="list-style-type: none"> 2 Analog outputs 0..10 V DC, 10 mA for the continuous activation of the heating/cooling control devices, mains connection GND (24 V AC)
	UP4-L	<ul style="list-style-type: none"> 2 Analog outputs 0..10 V DC, 10 mA for the continuous activation of the heating/cooling control devices, mains connection GND (24 V AC) 3 Relay outputs, potential-free for the activation of the three ventilator speeds, mains connection 230 V AC, max. 3 x 6 A
Connection	<ul style="list-style-type: none"> - Digital inputs as well as outputs/mains (low voltage): Lines about 60 mm long with terminals max. 2.5 mm² - Outputs/mains (low voltage) Connecting leads about 75 millimeter lang - 5-line connecting lead with terminal connector for Room Module DDC110-L: approx. 130 mm long 	
Ambient conditions	Temperature 0..45°C Humidity not condensing	
Degree of enclosure protection	IP 00	
Assembly	In flush-mounted box ≥ 60 millimeter deep	
Weight	60 g	

Device Description

I/O components UP1-L, UP2-L, UP3-L, UP4-L Accessories for technolon® Room Module DDC110-L

Dimensions



Assembly

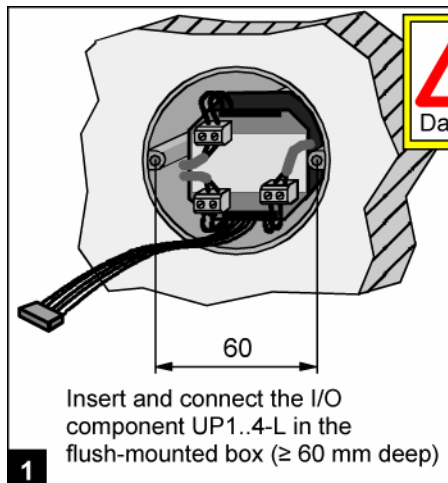


Danger

Warning supply voltage 230 V at the I/O modules UP2-L and UP4-L!

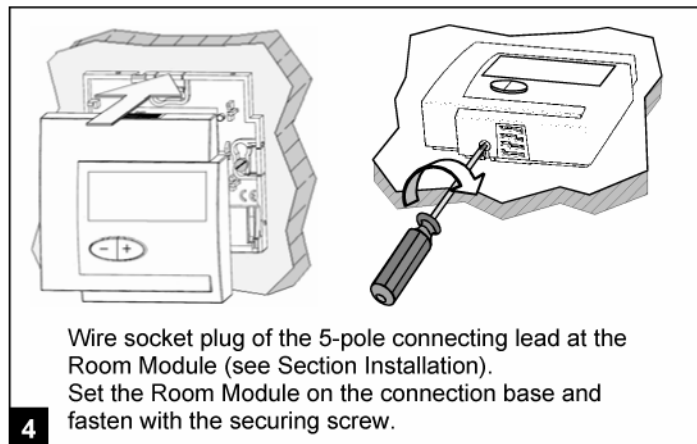
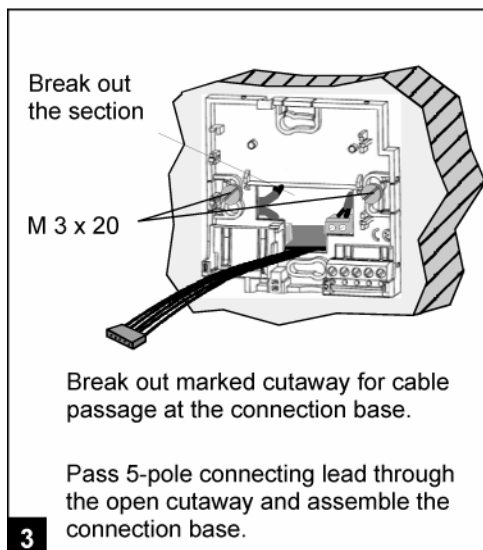
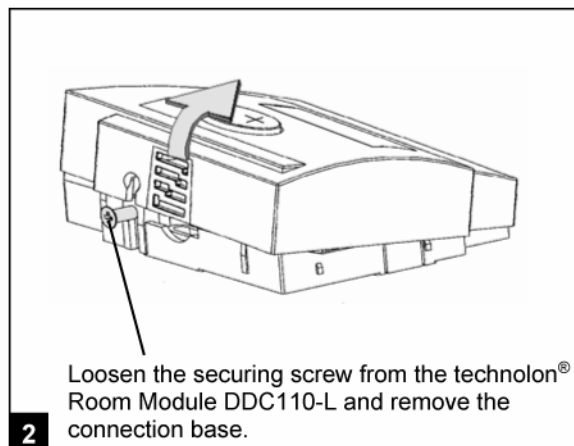
The assembly may only be carried out by qualified personnel on voltage-free switched connecting leads .

The I/O component UP is a flush-mounted box with a depth of 60 millimeters. The technolon® Room Module DDC110-L is installed on the flush-mounted box. Room Module and I/O component form a device unit.



Be sure to observe the instructions in the section "Installation" when executing the electrical connections!

Supply voltage 230 V at the I/O components UP2-L and UP4-L!



Installation



Warning supply voltage 230 V at the I/O modules UP2-L and UP4-L!

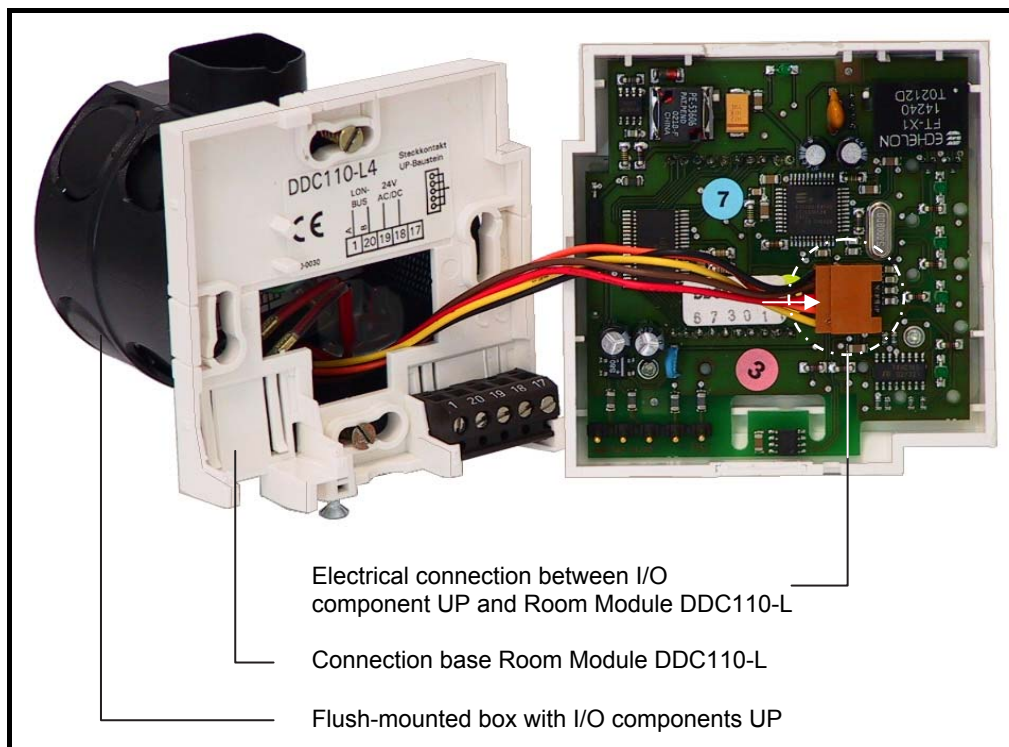
The electrical installation with connection of the I/O component may only be carried out by qualified personnel.

This must be done in accordance with the VDE regulations and local specifications.

An I/O component UP with inputs and outputs can be connected to all technolon® Room Modules DDC110-L.

The technolon® Room Module DDC110-L and I/O component form one device unit.

The connection between the Room Module and the I/O component UP is carried out on the 5-line bus line of the I/O component which is connected with a socket plug to the Room Module .



The wiring diagrams of the I/O components UP1..UP4-L are on the following pages.



Furthermore, the installation instructions in the device documentation of the technolon® Room Module DDC110-L1..DDC110-L4 should be noted. The device documentation is included with the technolon Room Modules .

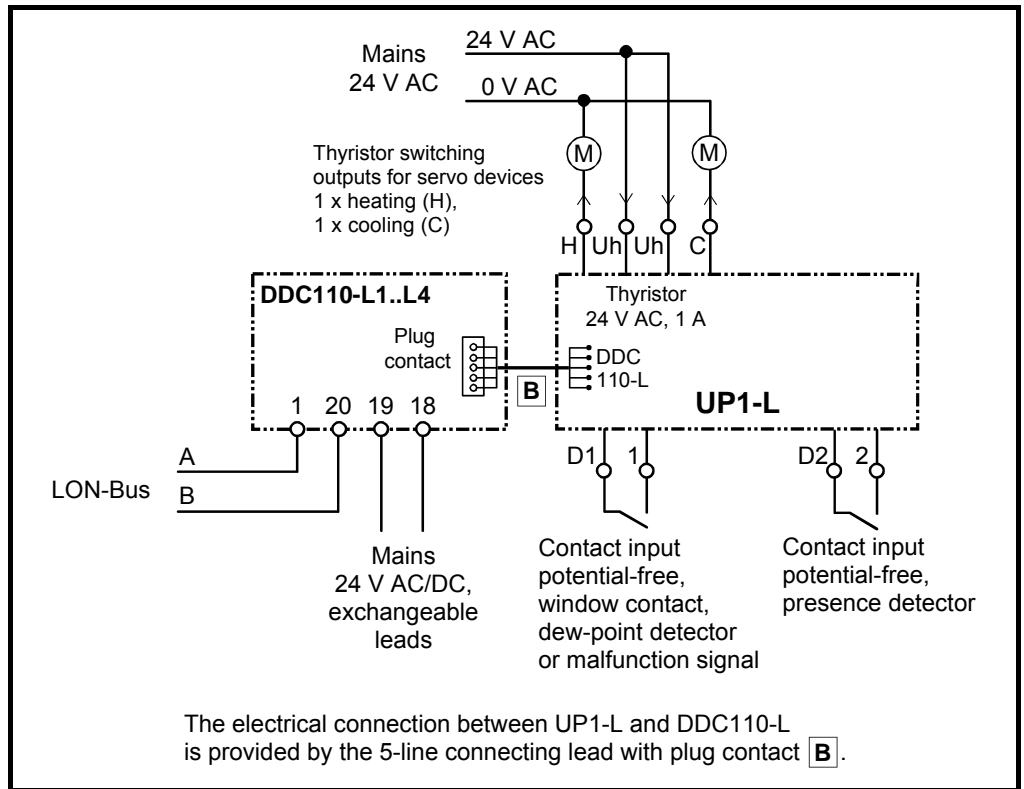
The energy consumption of the technolon® Room Module increases upon connection of the I/O component, see Section Technical Data.

Device Description

I/O components UP1-L, UP2-L, UP3-L, UP4-L
Accessories for technolon® Room Module DDC110-L

I/O component UP2-L with technolon® Room Module DDC110-L1..L4

Connection



I/O component UP2-L with technolon® Room Module DDC110-L1..L4

Connection

