

## Device Description

## MV-KP10/.. Converters

### Application

MV-KP10/.. converters convert the measurement signal of a temperature sensor with the KP10 measuring element into the standard 0 V-to-10 V and 0 mA-to-20 mA signals. Standard signals allow for multiple uses of the connected sensor such as recording the outside temperature for multiple loop controllers and direct display.

### Types

- MV-KP10/100 Converter for temperature sensors with an active KP10 measuring element. Converts KP10 measurement values into 0 V-to-10 V and 0 mA-to-20 mA signals. Conversion range is 0°C to 100°C.
- MV-KP10/150 Converter for temperature sensors with a KP10 measuring element. Converts KP10 measurement values into 0 V-to-10 V and 0 mA-to-20 mA signals. Conversion range is -50°C to 150°C.

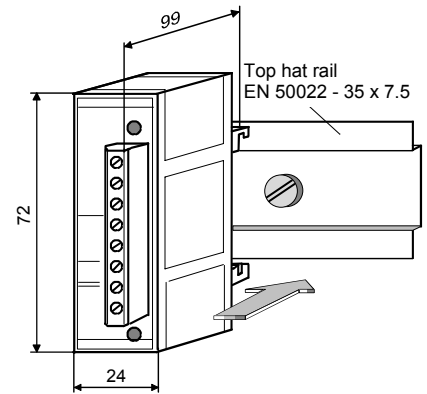


LED for output signal

LED for power supply

### Technical Data

Power	AC/DC 24 V ±15%, 50 mA max.
Input	Temperature sensor with a KP10 measuring element (2.73 V at 0°C, TC 10 mV/K)
Output	Voltage DC 0 V to 10 V, 20 mA max. and Current DC 0 mA to 20 mA, load 600 Ω Output signals isolated from power supply connection
Indicators	LED for 0 V-to-10 V/0 mA-to-20 mA output signal LED for power supply
Ambient temperature	-10°C to 50°C, humidity non-condensing
Degree of protection	IP20
Housing	Plastic
Connection	Terminal connection
Installation	Control panel installation on standard rail (top hat rail EN 50022 - 35 x 7.5)
Dimensions	W x H x D: 24 x 72 x 99 mm



### Installation



Caution

**Electrical installation and unit connection may only be carried out by qualified technicians.**

Ensure that this process complies with guidelines from the VDE (Association for Electrical, Electronic & Information Technologies) and local wiring regulations.

Connection

