

Device Description

Set-point Adjuster FTY

Application

With its continuous output Y 0..10 V DC, the Set-point Adjuster FTY for switchboard cabinet front installation serves to remotely adjust the set-point of controllers and control systems.

Type

FTY with set-point scale 0..100%
 FTY/50 with set-point scale 0..50°C
 FTY/100 with set-point scale 0..100°C
 Special scales upon request.



Technical data

Function Electronic set-point adjuster
 Mains 24 V AC ±10%, 1 VA
 Output Continuous signal Y = 0..10 V DC, 5 mA, short circuit-proof
 Ambient temperature 0..50°C
 Degree of enclosure protection IP40 with front installation
 Assembly Switch cabinet front installation

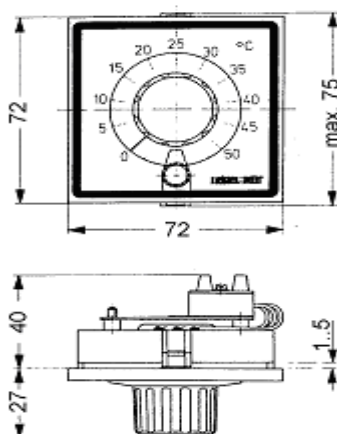
Assembly



Warning

Installation may only be carried through by qualified expert personnel at a voltage-free switch cabinet!

Dimensions



Switch cabinet detail □ 68^{+0,7}

Installation

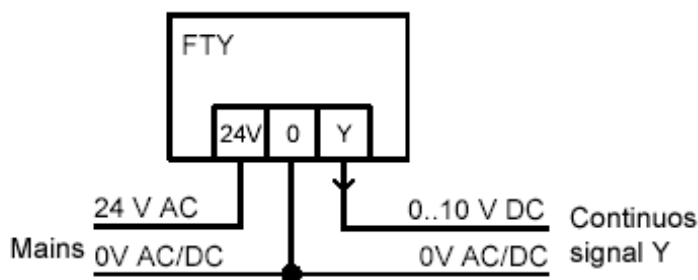


Warning

Electric installation with the remote adjuster connection may be carried through by qualified expert personnel only.

This must be done in accordance with the VDE regulations and local specifications.

Connection



Printed on: 23.09.1999

Kieback & Peter GmbH & Co KG

Tempelhofer Weg 50, D-12347 Berlin
 Telephone: +49 (0) 30 / 600 95-0
 Telefax: +49 (0) 30 / 600 95 164
 E-Mail: info@kieback-peter.de
 http://www.kieback-peter.de

kieback&peter
 Technology for building automation

--