

**Product description****Z45, Z46, Z47, Z60 coupling relays****Z45, Z46, Z47, Z60 coupling relays****Application**

These coupling relays are used to control plant components in the DDC system. They serve as switching coupling components between the DDC switching outputs and the device inputs; they can be used to control valve actuators, pumps, burners or fans, for example.



<b>Contents</b>	<b>Page</b>
Important Information on Product Safety .....	2
Item .....	3
Technical data .....	3
Dimensions .....	3
Connection.....	4
Mounting and installation .....	5

Änderungen vorbehalten - Contents subject to change - Sous réserve de modifications - Reservado el derecho a modificación - Wijzigingen voorbehouden - Con riserva di modifichie - Innehåll som skall ändras - Změny vyhrazeny - Zmiany zastrzeżone - Возможны изменения - A változtatások jogát fenntartjuk - 保留未经通知而改动的权力

## Important Information on Product Safety

### Safety Instructions

This data sheet contains information on installing and commissioning the product "Z45, Z46, Z47, Z60 coupling relays". Each person who carries out work on this product must have read and understood this data sheet. If you have any questions that are not resolved by this data sheet, you can obtain further information from the supplier or manufacturer.

If the product is not used in accordance with this data sheet, the protection provided will be impaired.

Applicable regulations must be observed when installing and using the device. Within the EU, these include regulations regarding occupational safety and accident prevention as well as those from the VDE (Association for Electrical, Electronic & Information Technologies). If the device is used in other countries, it is the responsibility of the system installer or operator to comply with local regulations.

Mounting, installation and commissioning work on the devices may only be carried out by qualified technicians. Qualified technicians are persons who are familiar with the described product and who can assess given tasks and recognize possible dangers due to technical training, knowledge and experience as well as knowledge of the appropriate regulations.

### Meaning of the Symbols



#### WARNING

Indicates a hazard of medium risk which can result in death or severe bodily injury if it is not avoided.



#### CAUTION

Indicates a hazard of low risk which can result in minor or medium bodily injury if it is not avoided.



#### NOTICE

Indicates a hazard of medium risk which can result in material damage or malfunctions if it is not avoided.



#### Note

Indicates additional information that can simplify the work with the product for you.

### Notes on Disposal

For disposal, the product is considered waste from electrical and electronic equipment (electronic waste) and must not be disposed of as household waste. Special treatment for specific components may be legally binding or ecologically sensible. The local and currently applicable legislation must be observed.

**Product description**

**Z45, Z46, Z47, Z60 coupling relays**

**Item**

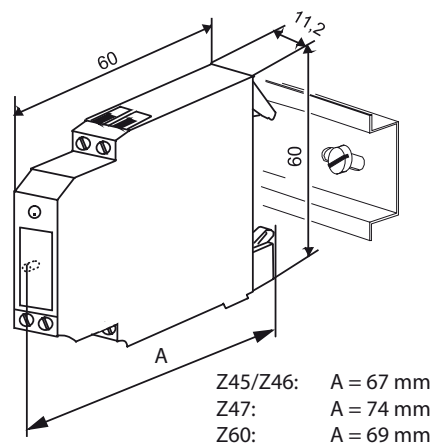
Z45	Coupling relay with one changeover switch
Z46	Coupling relay with two changeover switches
Z47	Coupling relay with one changeover switch und a manual switch at field level
Z60	Coupling relay with one changeover switch und a manual switch at field level with a potential-free feedback contact

**Technical data**

Power	Z45/Z47/Z60	AC/DC 24 V ±10%, 13 mA
	Z46	AC/DC 24 V ±10%, 20 mA
Output contact	Z45/Z47/Z60	1 changeover switch, max. AC 250 V, 6 A, 1500 VA
	Z46	2 changeover switches, each with max. AC 250 V, 3 A, 250 VA
Display	LED operating display	
Manual switch	Z45/Z46	None
	Z47	Manual switch at field level
	Z60	Manual switch at field level with a potential-free feedback contact
Connection	Terminal connection, max. 2.5 mm <sup>2</sup>	
Degree of protection	Terminals	IP20
	Housing	IP50
Ambient temperature	-20 - +55 °C	
Weight	45 g	
Mounting	Control panel installation on standard rail EN 50022 - 35 x 7.5; can be snapped open without there having to be free space to the left/right; installation position can be chosen freely	

**Dimensions**

Z45..Z60



Connection

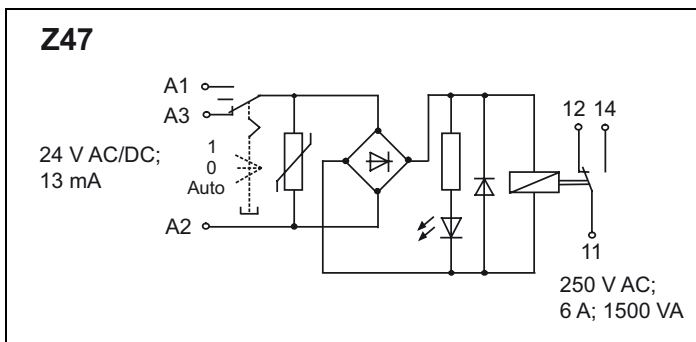
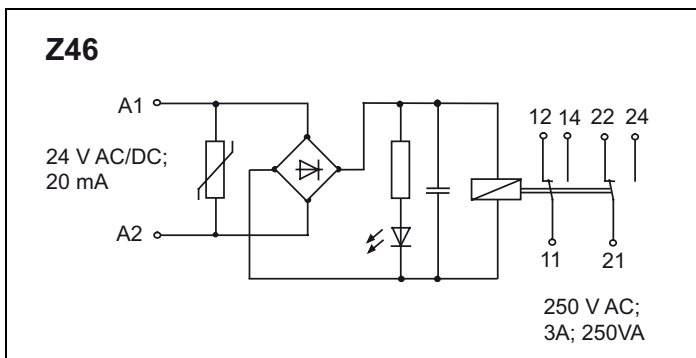
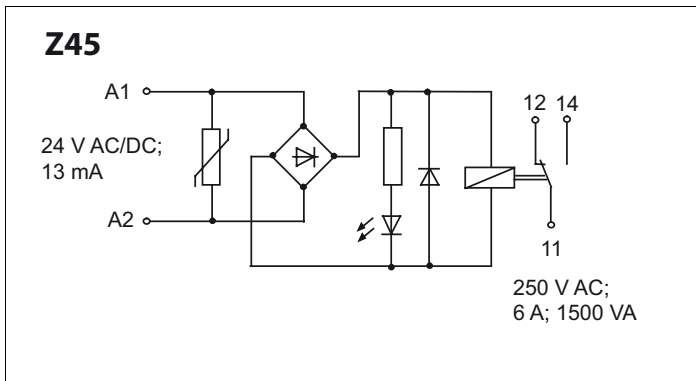


Fig. Switch in automatic position

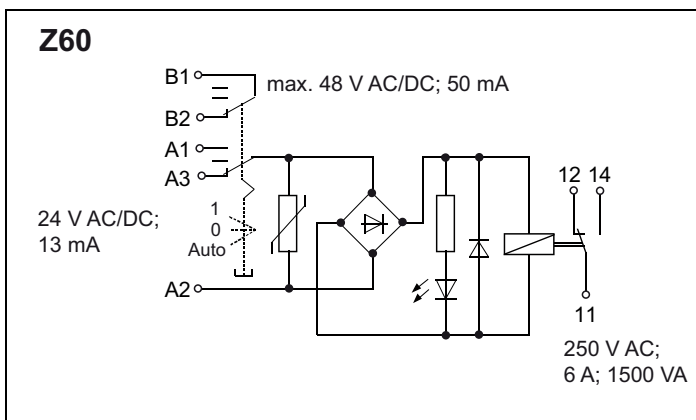


Fig. Switch in automatic position

B1,B2 Position feedback

**Mounting and installation**

---

**WARNING**

Contact with live parts of electrical domestic installation can cause death due to electric shock.

Mounting/removal may only be carried out when power is switched off.

Comply with VDE guidelines and local wiring regulations when mounting/removing.

---

