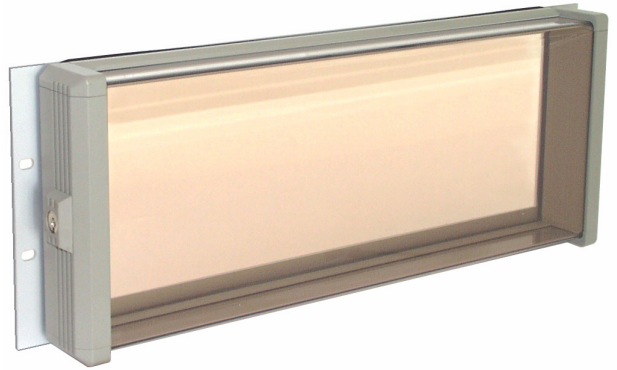


Z116 Door for KA rack

Application

The accessory Z116 is a lockable door for a 19 inch KA rack.

You can use the Z116 to protect the devices in a KA rack.



Contents

Page

Important Information Regarding Product Safety	2
Item	3
Technical Data	3
Accessories (included in delivery)	3
Accessories (not included in delivery)	3
Dimensions	3
Installation	4

Änderungen vorbehalten - Contents subject to change - Sous réserve de modifications - Reservado el derecho a modificación - Wijzigingen voorbehouden - Con riserva di modifichie - Innehåll som skall ändras - Změny vyhrazeny - Zmiany zastrzeżone - Возможны изменения - A változtatások jogát fenntartjuk - 保留未经通知而改动的权力

Important Information Regarding Product Safety

Safety Instructions

This data sheet contains information on installing and commissioning the product "Z116 Door for KA rack". Each person who carries out work on this product must have read and understood this data sheet. If you have any questions that are not resolved by this data sheet, you can obtain further information from the supplier or manufacturer.

If the product is not used in accordance with this data sheet, the protection provided will be impaired.

Applicable regulations must be observed when installing and using the device. Within the EU, these include regulations regarding occupational safety and accident prevention as well as those from the VDE (Association for Electrical, Electronic & Information Technologies). If the device is used in other countries, it is the responsibility of the system installer or operator to comply with local regulations.

Mounting, installation and commissioning work on the devices may only be carried out by qualified technicians. Qualified technicians are persons who are familiar with the described product and who can assess given tasks and recognize possible dangers due to technical training, knowledge and experience as well as knowledge of the appropriate regulations.

Meaning of the Symbols



WARNING

Indicates a hazard of medium risk which can result in death or severe bodily injury if it is not avoided.



CAUTION

Indicates a hazard of low risk which can result in minor or medium bodily injury if it is not avoided.



NOTICE

Indicates a hazard of medium risk which can result in material damage or malfunctions if it is not avoided.



Note

Indicates additional information that can simplify the work with the product for you.

Notes on Disposal

For disposal, the product is considered waste from electrical and electronic equipment (electronic waste) and must not be disposed of as household waste. Special treatment for specific components may be legally binding or ecologically sensible. The local and currently applicable legislation must be observed.

Product Description**Z116****Item**

Z116

Lockable door for a 19 inch KA rack

Technical Data

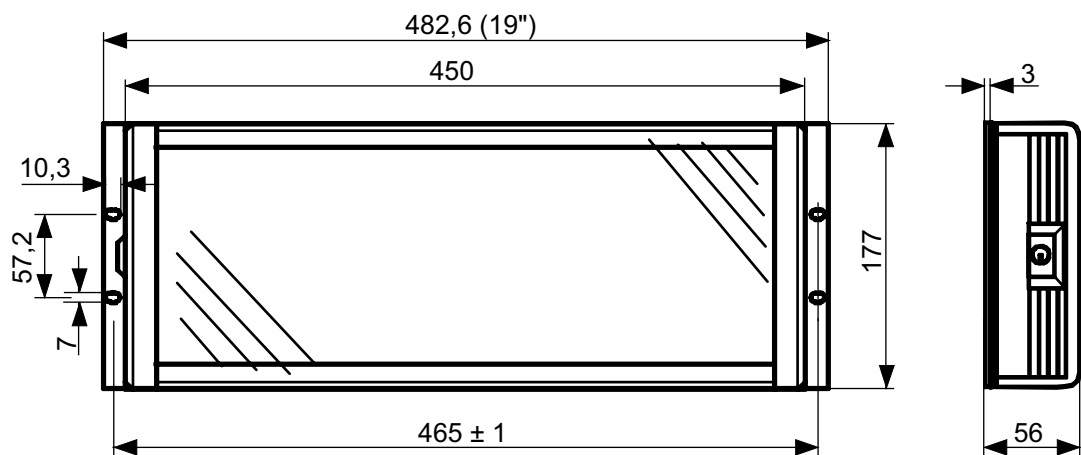
Housing	Aluminum door; brown tinted perspex; plastic mounting; safety lock
Degree of protection	IP54
Weight	1.35 kg
Dimensions (WxHxD in mm)	182,6 (19") x 177 x 56

Accessories (included in delivery)

2 keys

Accessories (not included in delivery)

Screws, washers and nuts are included with the KA rack.

Dimensions

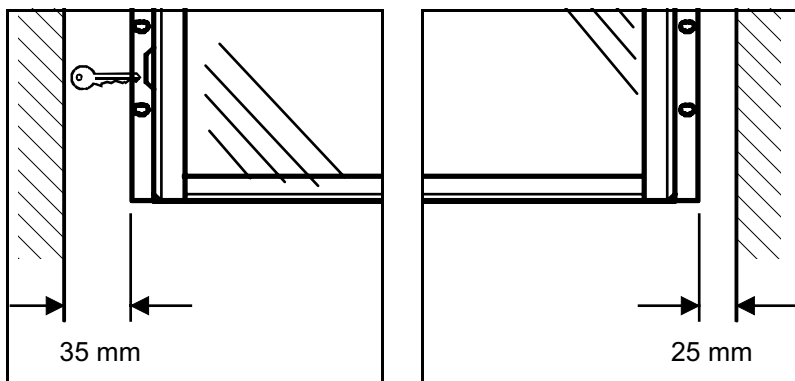
Installation



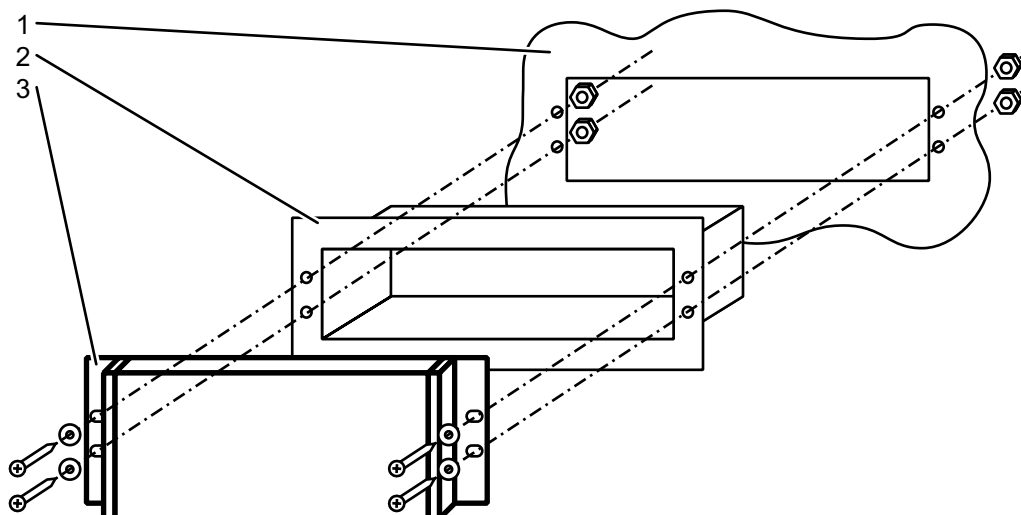
CAUTION

Mounting/demounting may only be carried out by qualified technicians when the power is switched off.

Plan the installation location with a sufficient clearance for the opening and closing of the door.



You can mount the Z116 opening on the left or right side.



- 1 Cutout
- 2 KA rack
- 3 Z116