

TQF10, TQF12, TQF14, TQF16 Room Service Module

The Room Service Modules TQF10, TQF12, TQF14, TQF16 and the technolon® Single Room Control FBR100-L form a device unit in the LON network. They are designed to record room temperatures in living and business premises. The room setpoint is set with the setpoint adjustor.

The TQF12 Room Service Module additionally also has a user button for the switchover to day /night.

The TQF14 Room Service Module additionally also has a user button for switching to three ventilator levels.

The TQF16 Room Service Module like the TQF12 additionally also has a user button for switching to three ventilator levels.



| | | | |
|-----------------|---------------------------------|------|---|
| Contents | Notes on the device description | Page | 2 |
| | Safety Instructions | Page | 2 |
| | Qualified specialists | Page | 2 |
| | Application | Page | 3 |
| | Types | Page | 3 |
| | Technical data | Page | 4 |
| | Assembly | Page | 5 |
| | Installation | Page | 6 |

Contents subject to change

Issue date: 04/20/2004

Notes on the device description

The description contains references for the deployment and assembly of the Room Service Modules TQF10, TQF12, TQF14 and TQF16.

In case of questions which cannot be clarified with this device description, please refer to the supplier or manufacturer for further information.

The indicated installation instructions/regulations are valid in the Federal Republic of Germany.

When utilizing the devices in other countries, the builder or operator of the plant is responsible for the observation of the respective national regulations.

The operating staff is to be instructed in accordance with the description of the technical data sheet.

Safety Instructions

The currently valid worker's occupational health regulations and regulations for the prevention of industrial accidents must be observed when assembling and using the devices.

Any work concerning the assembly, installation or initial operation of the devices shall be exclusively carried out by qualified specialists, see section "Qualified specialists".

Every person utilizing the devices shall have read and understood the descriptions in the technical data sheet.

Meaning of the symbols in the technical data sheet:



Warning

General warning, strictly observe this notice



Note

Further notice to observe

Warning
Note

means danger of bodily injuries or material damage in case of non-observance.
indicates an information which is particularly stressed.

Qualified specialists

Qualified specialists for the purposes set out in this technical data sheet are persons who are familiar with the described devices and possess a qualification for their respective occupation.

These are for instance:

- Authorization to connect the devices according to the VDE rules and local Electricity Board regulations, as well as the authorization to switch the devices on and off taking the in-house regulations into account.
- Knowledge of the regulations for prevention of accidents.
- Knowledge of the utilization of the devices within the plant system.
- etc.

Device Description

TQF10, TQF12, TQF14, TQF16 Room Service Module

Application

The Room Service Modules TQF10, TQF12, TQF14 and TQF16 are employed with the technolon® Single room control FBR100-L.

At every technolon® Single room control FBR100-L a Room Service Module TQF10, TQF12, TQF14 or TQF16 can be connected.

Types

- | | |
|-------|--|
| TQF10 | Room Service Module with a room temperature sensor and the manual adjustment of the room setpoint |
| TQF12 | Room Service Module with a room temperature sensor and the manual adjustment of the room setpoint with user button for switchover to day/night |
| TQF14 | Room Service Module with a room temperature sensor and the manual adjustment of the room setpoint with user button for the switching of three ventilator speeds |
| TQF16 | Room Service Module with a room temperature sensor and the manual adjustment of the room setpoint with operating key for switchover to day/night as well as the switching of three ventilator speeds |



TQF10



TQF12









TQF14



TQF16

Technical data

| | | | |
|--------------------------------|--|---|--|
| Measured variable | Room temperature in residential and office space | | |
| Measuring system | Active measuring system KP10, 2.73 V at 0°C, TC 10 mV/C | | |
| Set value adjuster | digital, regulating knob with trend arrow | | |
| Measuring range | 0..45°C | | |
| Control buttons | TQF12 |  | Key Switchover to day operation, automatic for blower |
| | |  | Key Switchover to night or lowering operation, as well as automatic for ventilator |
| | TQF14 |  | Keys, setting of the ventilator speeds off, level 1, level 2, level 3 |
| | TQF16 |  | Key Switchover to day operation, automatic for blower |
| | |  | Key Switchover to night or lowering operation, as well as automatic for ventilator |
| | |  | Keys, setting of the ventilator speeds off, level 1, level 2, level 3 |
| | Backlighting of the keys depending on the configuration: Steady burning light, on for 5 sec after keystroke or backlighting off | | |
| Housing | Hood, color RAL9010 (pure white) | | |
| Ambient conditions | Temperature | 0..45°C, | |
| | Humidity | Non-condensing | |
| QB interface | 4-conductor, for the connection of a technolon® Single room control FBR100-L, line length max. 200m | | |
| Degree of enclosure protection | IP30 | | |
| Dimensions | Width x height x depth: 82.5 x 82.5 x 30 mm | | |
| Assembly | Wall mounted/assembly in flush-mounted box | | |
| Weight | 110 g | | |

Device Description

TQF10, TQF12, TQF14, TQF16 Room Service Module

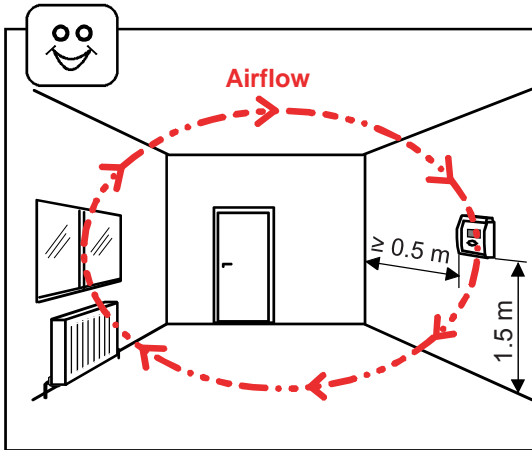
Assembly



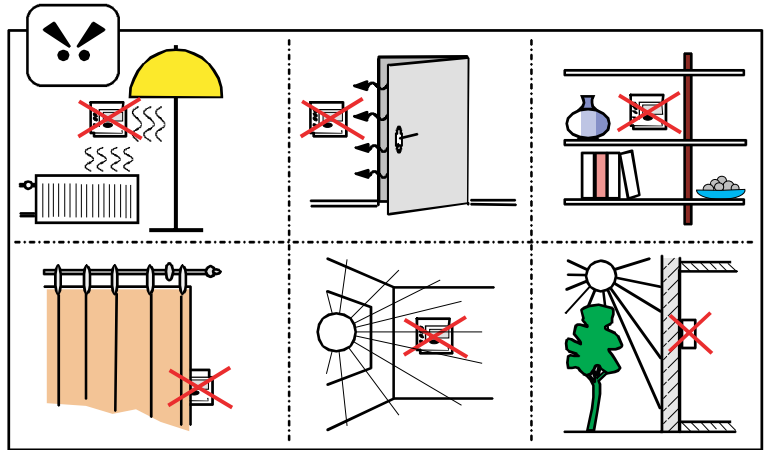
The assembly may only be carried out by qualified personnel on voltage-free switched connecting leads.

Warning The Room Service Modules TQF10, TQF12 and TQF16 can be assembled on the wall or in a flush-mounted box.

For rapid and correct measurement of the room temperature, the Room Service Module is to be assembled in such a way that the airflow of the room is included.

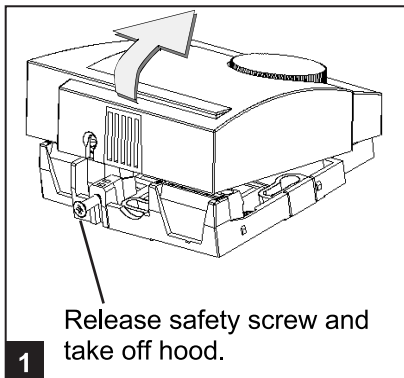


correct



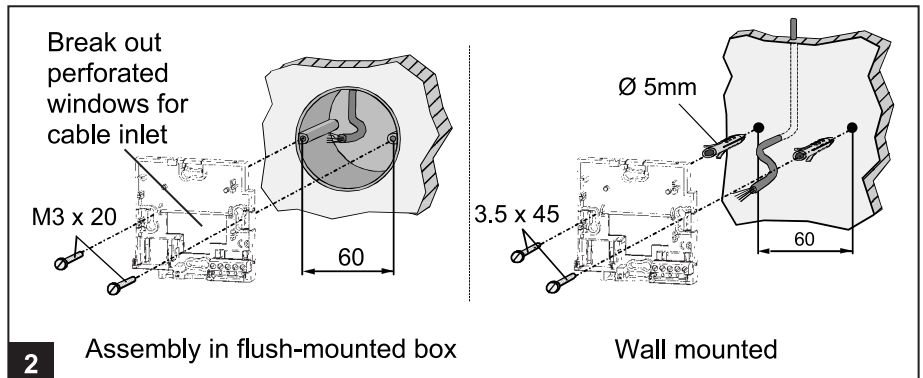
false

Assembly



1

Release safety screw and take off hood.



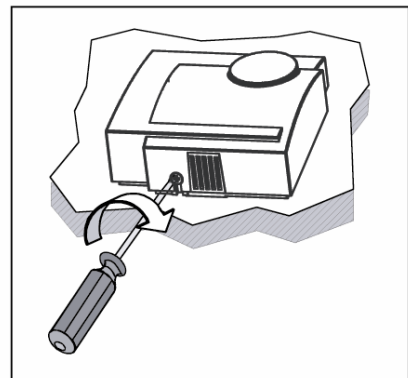
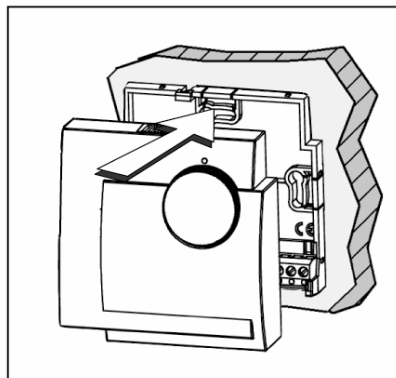
2

Assembly in flush-mounted box


Wall mounted

Wire Room Service Module in accordance with terminal diagram (note Section Installation), attach hood and fasten securing screw.

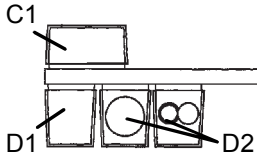
3



For surface-mounted or flush-mounted wiring, the hood and base have labeled housing parts that can be broken out depending on the cable leads.

 Furthermore, pluggable hood inserts are a part of the delivery which can be exchanged for the standard inserts :

Note



C1/D1 Inserts without air vents for greater wall influence.

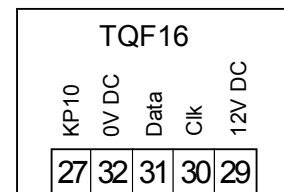
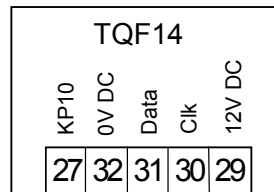
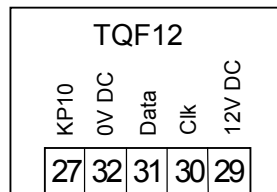
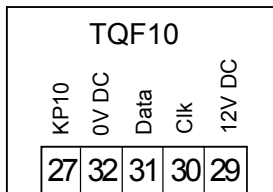
D2 Inserts for cable inlet from below.
The device protection type IP30 is only guaranteed when the air gap at the cable inlet is ≤ 2.5 millimeters.

Installation

 **The electrical installation and the Room Module connection may only be carried out by qualified personnel.**

Warning This must be done in accordance with the VDE regulations and local specifications.

Connection



Device Description

TQF10, TQF12, TQF14, TQF16 Room Service Module



