

TPC84 Display and Operator Panel

Application

The TPC84 is a remote display and operator panel. It has an active matrix color LCD touchscreen with a screen size of 21,3 cm (8,4").

A DDC4000 can be operated with the TPC84.

The TPC84 is equipped with an integrated Ethernet interface for communication.

The TPC84 is suitable for installation in the front panel.

Configuration is available in two languages (German, English).

User guide is available in 16 languages (Bulgarian, Czech, Dutch, English, French, German, Hungarian, Italian, Lithuanian, Latvian, Polish, Romanian, Russian, Spanish, Swedish and Chinese).



Content	Page
Important Information Regarding Product Safety	2
Item	3
Technical Data	3
Accessories (included in delivery)	3
Accessories (not included in delivery)	3
Compatibility	4
Dimensions	4
Front Panel Cutout.....	4
Connection.....	5
Mounting	6
Installation.....	6
Updating the Software and Calibrating the Touch Panel.....	7

Änderungen vorbehalten - Contents subject to change - Sous réserve de modifications - Reservado el derecho a modificación - Wijzigingen voorbehouden - Con riserva di modifichie - Innehåll som skall ändras - Změny vyhrazeny - Zmiany zastrzeżone - Возможны изменения - A változtatások jogát fenntartjuk - 保留未经通知而改动的权力

Important Information Regarding Product Safety

Safety Instructions

This data sheet contains information on installing and commissioning the product "TPC84". Each person who carries out work on this product must have read and understood this data sheet. If you have any questions that are not resolved by this data sheet, you can obtain further information from the supplier or manufacturer.

If the product is not used in accordance with this data sheet, the protection provided will be impaired.

Applicable regulations must be observed when installing and using the device. Within the EU, these include regulations regarding occupational safety and accident prevention as well as those from the VDE (Association for Electrical, Electronic & Information Technologies). If the device is used in other countries, it is the responsibility of the system installer or operator to comply with local regulations.

Mounting, installation and commissioning work on the devices may only be carried out by qualified technicians. Qualified technicians are persons who are familiar with the described product and who can assess given tasks and recognize possible dangers due to technical training, knowledge and experience as well as knowledge of the appropriate regulations.

Legend



WARNING

Indicates a hazard of medium risk which can result in death or severe bodily injury if it is not avoided.



CAUTION

Indicates a hazard of low risk which can result in minor or medium bodily injury if it is not avoided.



CAUTION

Indicates a hazard of medium risk which can result in material damage or malfunctions if it is not avoided.



NOTE

Indicates additional information that can simplify the work with the product for you.

Notes on Disposal

For disposal, the product is considered waste from electrical and electronic equipment (electronic waste) and must not be disposed of as household waste. Special treatment for specific components may be legally binding or ecologically sensible. The local and currently applicable legislation must be observed.

Product Description**TPC84****Item**

TPC84 Remote display and operator panel for a DDC4000

Technical Data

Nominal voltage	<ul style="list-style-type: none"> ■ DC 12 V ± 10%; 6.6 W; 550 mA or ■ DC 24 V ± 10%; 6 W; 250 mA or ■ AC 24 V ± 10%; 50 Hz to 60 Hz; 12 VA; 0.5 A
Displays and controls	<p>“Power” LED, green: Lights up when the screensaver turns off the screen. Backlit active matrix LCD:</p> <ul style="list-style-type: none"> ■ Screen size: 21,3 cm (8,4") ■ Resolution: 640 x 480 pixels ■ LED backlighting
Interfaces	Ethernet 10/100 Base-T (RJ45) Type A USB socket, for SW updates only
Housing	Plastic (ASA); slate gray
Overvoltage category	III
Rated impulse voltage	800 V
Level of contamination	2
Automatic action	Type 1
Type	Protection class III
Degree of protection	IP10
Ambient temperature	0 °C to 50 °C
Ambient humidity	During operation: 20% to 80% r.h.; non-condensing Out of operation: 5% to 90% r.h.; non-condensing
Installation	Front panel
Certifications	CE
Weight	1.28 kg
Dimensions (WxHxD in mm)	303 x 217 x 70

Accessories (included in delivery)

4 M4 screws × 10 mm

Accessories (not included in delivery)

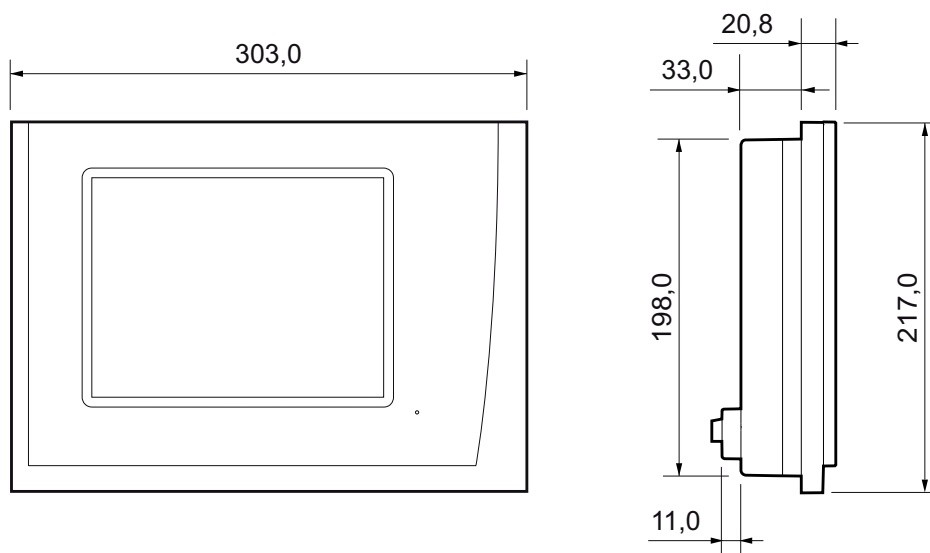
HW-103460	DC 24 V, 25 W power adapter
MC4084	USB flash drive for updates

Compatibility

The following items cannot be used with the TPC84:

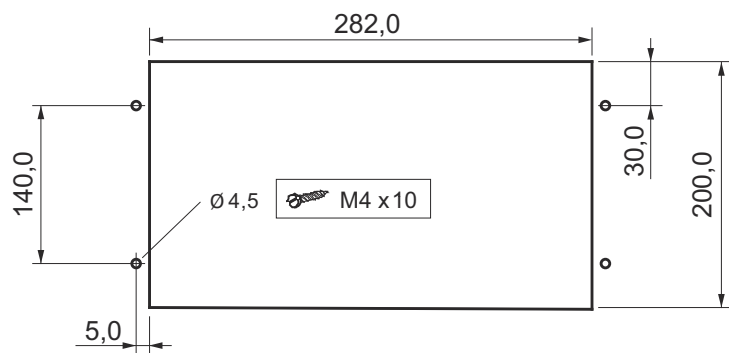
- DDC4002 as of version 1.9
- DDC4100S1 as of version 1.6
- DDC4200 as of version 1.6
- DDC4200-L as of version 1.6
- DDC4400 as of version 1.6

Dimensions



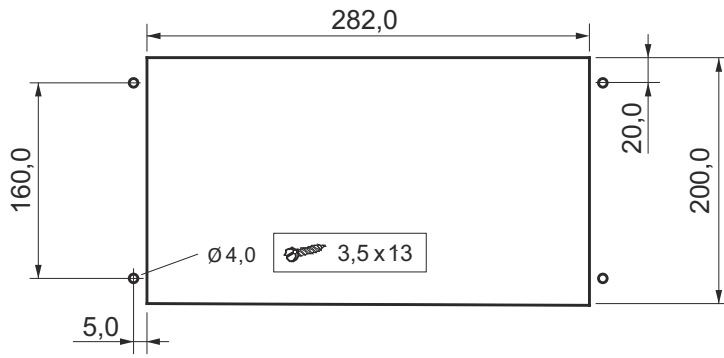
Front Panel Cutout

The TPC84 can be mounted with four M4 x 10 or 3.5 x 13 screws:

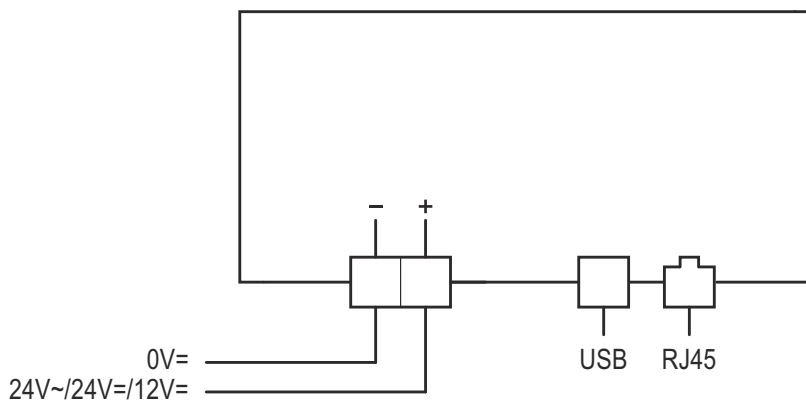


Product Description

TPC84



Connection

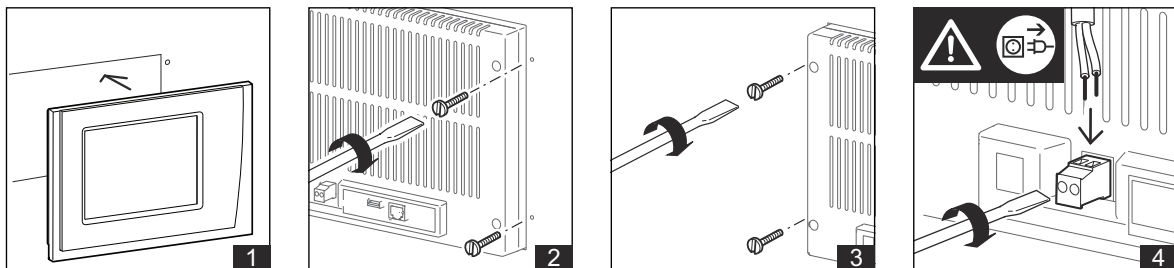


Mounting



WARNING

Contact with live parts of electrical domestic installation can cause death due to electric shock. Mounting/removal may only be carried out when power is switched off.



Installation



NOTE

The TPC84 is delivered with a DDC4000 with the standard settings. If the standard settings are appropriate, you can connect the TPC84 without configuration.

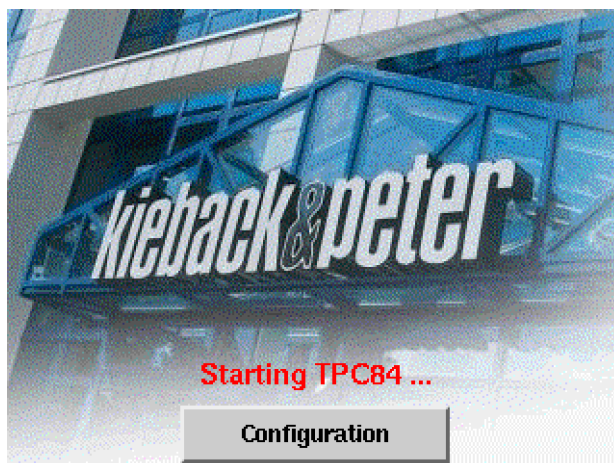
Standard settings:

- IP address TPC84: 192.168.1.200
- Controller IP address: 192.168.1.1
- Gateway IP address: Not active

Configuring the TPC84

- ▶ Connect the power supply to the device.

After the operating system starts, the configuration screen appears for 5 seconds:



- ▶ Tap the "Configure" button.

You can change the following properties of the TPC84 in the configuration menu:

- Language of the TPC84 configuration (English or German)
- IP addresses (TPC84, controller, gateway)
- Network mask
- Password for the TPC84 configuration
- Screensaver
- Screen brightness
- Click sound

Screensaver**NOTE**

The screen saver only switches the screen off if no alarm message is waiting to be confirmed.

If a graphic is set as the screensaver for the controller, the TPC84 uses the graphic as the screen-saver as well.

Updating the Software and Calibrating the Touch Panel**CAUTION**

The update will restore the TPC84 to factory settings.
If necessary, make a note of the configuration before proceeding with the update.

Kieback&Peter employees can find the current software for the TPC84 on the intranet.

- ▶ Decompress the ZIP file to the root of a USB flash drive.
- ▶ Switch off the TPC84 by interrupting the power supply.
- ▶ Insert the USB flash drive into the USB socket of the TPC84.
- ▶ Start the TPC84.

The screen is black during the update.

Touch panel calibration begins after about a minute.

- ▶ Tap the middle of the displayed crosses.
- ▶ Switch off the TPC84 by interrupting the power supply.
- ▶ Remove the USB flash drive from the USB socket of the TPC84.

