

Device Description

Weather Probe TAD

Application

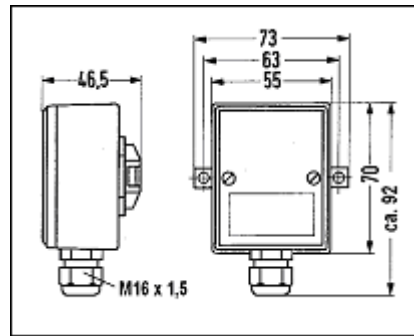
The weather probes TAD serve to record the outside temperature for heating, ventilation and air conditioning systems.
The weather probes TAD are used together with all controllers/control systems provided with a probe connection for the measuring unit KP10.

Type

TAD TAD weather probe with measuring unit KP10

Technical data

Function	Temperature voltage transmitter
Measured value	Outdoor temperature
Measuring system	Measuring unit KP10, 2.73 V at 0°C, TC (temperature compensation) 10 mV/K for the temperature range -40..+130°C
Limiting temperatures	for probe operation: minimum temperature = -40°C / maximum temperature = +130°C
Time constant	T = 20 min.
Connection housing	light-grey plastic housing, cable entry M16 x 1.5
Degree of enclosure protection	IP 65
Dimensions	



TAD The enclosed conduit gland seal is to be inserted in the probe connection

Assembly

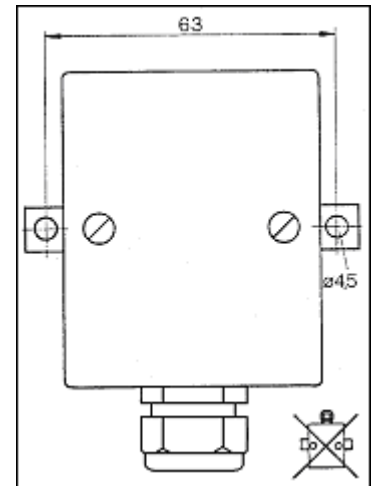


Warning

The weather probe is mounted at the fastening bow to the outside wall of the building using 2 screws (Ø 3.5..4 mm) (conduit gland downwards).
With regard to the choice of the place of installation the following points should be taken into account:

- Place of installation to be chosen in accordance with the plant concept, e.g. direction in accordance with the respective zone control.
- Future accessibility for inspections to be taken into account.
- The weather probe must be exposed to outer air draught, therefore, do not install it in building niches or directly below the eaves.
- The weather probe should not be exposed to direct insolation. As far as this is inevitable due to constructional reasons, the sun protection cap Z2 is available for covering the weather probe (for accessories see back page).
- Do not mount to outside walls behind which there is a source of heat, e.g. chimney.
- Do not install above windows, doors or ventilation outlets

Installation may be carried through by qualified expert personnel only!



Installation

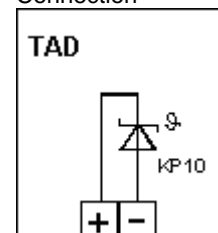


Warning

Electric installation to the probe connection may be carried through by qualified expert personnel only.

This must be done in accordance with the VDE regulations and local specifications.

Connection



Temperature/Voltage Table for KP10, Temperature Range -30..+30°C

T (°C)	U (V)	T (°C)	U (V)	T (°C)	U (V)
-30	2,43	-10	2,63	10	2,83
-29	2,44	-9	2,64	11	2,84
-28	2,45	-8	2,65	12	2,85
-27	2,46	-7	2,66	13	2,86
-26	2,47	-6	2,67	14	2,87
-25	2,48	-5	2,68	15	2,88
-24	2,49	-4	2,69	16	2,89
-23	2,50	-3	2,70	17	2,90
-22	2,51	-2	2,71	18	2,91
-21	2,52	-1	2,72	19	2,92
-20	2,53	0	2,73	20	2,93
-19	2,54	1	2,74	21	2,94
-18	2,55	2	2,75	22	2,95
-17	2,56	3	2,76	23	2,96
-16	2,57	4	2,77	24	2,97
-15	2,58	5	2,78	25	2,98
-14	2,59	6	2,79	26	2,99
-13	2,60	7	2,80	27	3,00
-12	2,61	8	2,81	28	3,01
-11	2,62	9	2,82	29	3,02
-10	2,63	10	2,83	30	3,03

Accessories

- Z2 Sun protection cover, can be attached afterwards

