

Device description

SBM51/13 Control Cabinet Bus module for 8 Gossen-Metrawatt Power measuring devices A2000

Application

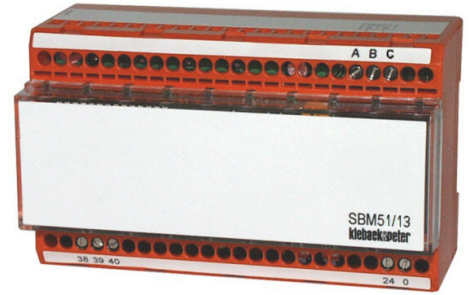
The Control Cabinet Bus module SBM51/13 is used together with the RS485 interface for the integration in the DDC3000 system of a maximum of 8 Power measuring devices A2000 from Gossen-Metrawatt.

Type

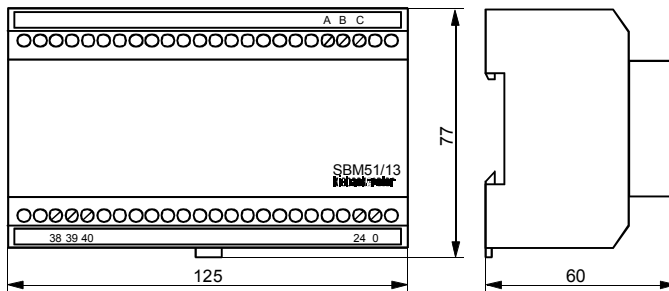
SBM51/13 Control Cabinet Bus module with RS485 interface for maximum 8 power measuring devices A2000 from Gossen-Metrawatt

Technical data

Mains	24 V AC $\pm 10\%$ / 230 mA, 5.4VA
Bus connection	Control Cabinet Bus to the DDC System, maximum 200 m
Interface	RS485 for 8 measuring devices A2000 from Gossen-Metrawatt
Fuse	Electronic fuse for mains 24 V AC
Address -switch	addressing 01..16 with 2 rotary switches
Displays	2 LED in the housing for Control Cabinet Bus LED green: blinking = Control Cabinet Bus data transmission LED red: lit up = Control Cabinet Bus error blinking = incorrect address set
Degree of enclosure protection	IP20
Ambient conditions	temperature 0..45°C humidity 20..80% rF, not condensing
Mounting	switching cabinet mounting on hat rail EN 5002 – 35 x 7,5 (see reverse side)



Measurements



Installation



Warning

The electrical installation and the device connection may only be carried out by qualified personnel.

The VDE legal provisions and the local regulations should be observed.

- An isolated cable is required for the connection of the Control Cabinet Bus in the DDC3000 system, Cable type at least JY(St)Y 2x2x0,8 Lg.
Both lines (terminals 39 and 40) must be in the form of twisted pairs.
The earth connection (terminal 38) should be put on one of the remaining free lines.
At the end of the Control Cabinet Bus (most distant point from the Central Control Unit, max. 200 m), a terminating resistor ca. 180 Ω must be included on both data lines one time (terminating resistor for the Central Control Unit is included in the accessory pack).
- The RS485 connection to the 8 power measuring devices must be made with a shielded cable and twisted pair lines (line diameter $\geq 0,8$ mm, line length maximum 1000 m).
For a line length of greater than 5 meters, a terminating resistor 180 Ω must be connected to the terminal A – B of the SBM51/13 as well as to the terminals 41 - 42 of the last power measuring device A2000 (2 terminating resistors are included with the SBM51/13).

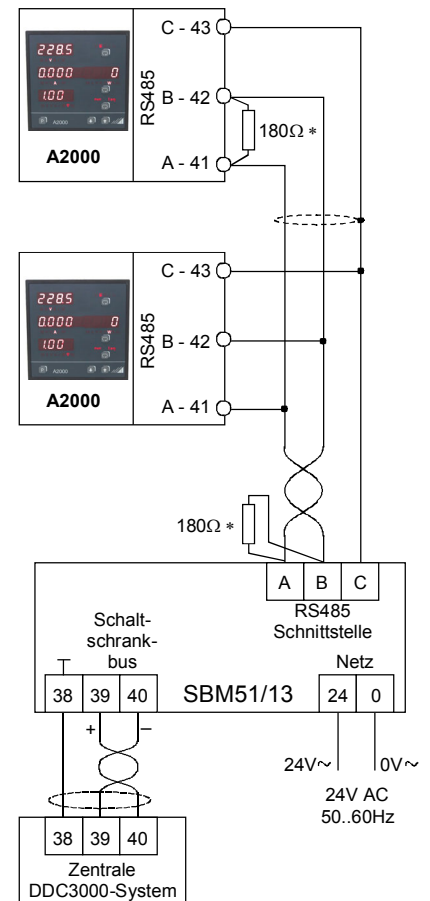


Notice

For further information on connections and on the programming of the power measuring device A2000, the operating instructions from Gossen-Metrawatt should be consulted.

Device connection

Insgesamt max. 8 Leistungsmessgeräte A2000.
* Bei einer Leitungslänge > 5 m sind Abschlusswiderstände 180 Ω am SBM51/13 und am letzten A2000 anzuschließen.



Ausgabe 20.06.2001

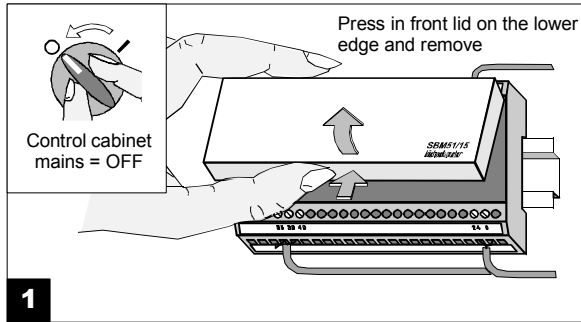
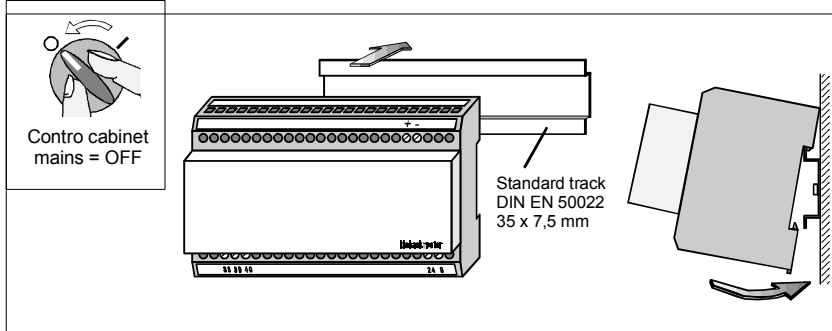
Mounting



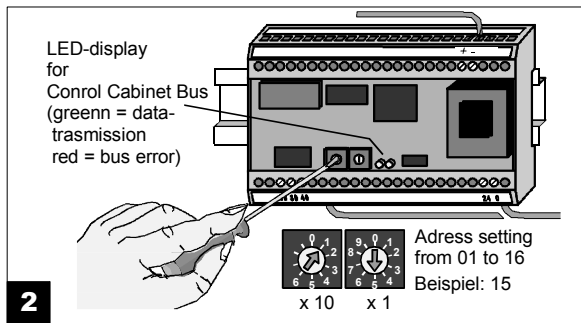
Warning

Mounting and the connection of the device may only be carried out by qualified specialists.

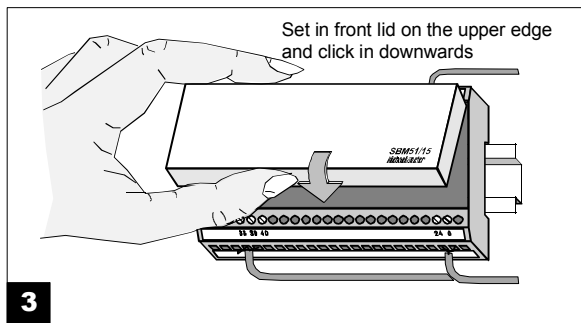
The mains may be switched on only after the device setting by the commissioning technician/engineers has been completed.



1



2



3



Notice

The parameterization of the Control Cabinet Bus Module SBM51/13 is described in the engineering documentation of the DDC3000.