

Device description

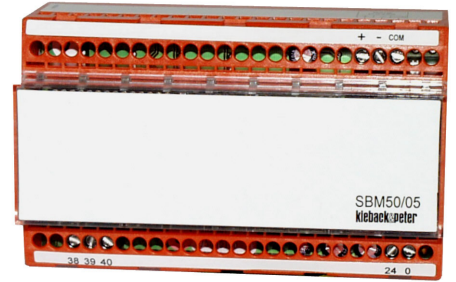
SBM50/05 Control Cabinet Bus Module for Berg energy monitoring

Application

The Control Cabinet Bus Module SBM50/05 is used for the integration in the DDC3000 system of a network monitoring module from BERG. The network monitoring module is connected on the RS485 interface with the SBM50/05 so that the data of the BERG system can be processed in the DDC3000 system.

Type

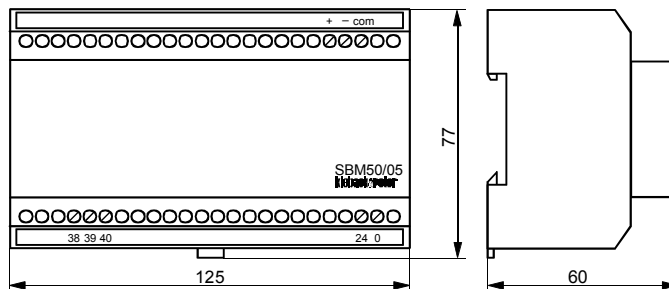
SBM50/05 Control Cabinet Bus Modules with RS485 connection for the integration in the DDC3000 system of a network monitoring module from BERG.
The following types can connected:
UPM 320 S, UPM 320 K, UPM 3000 or UPM 3001



Technical data

Mains 24 V AC $\pm 10\%$ / 225mA, 5.4 VA
 Bus connections Control Cabinet Bus, maximum 200 m
 RS485, maximum 1200 m
 Fuse electronic fuse for mains 24 V AC
 Address switch addressing 01..16 with 2 rotary switches
 Displays 2 LED in the housing
 LED BUSY green: blinking = Control Cabinet Bus data transmission
 LED ERROR red: lit up = Control Cabinet Bus error
 Degree of enclosure protection IP20
 Ambient temperature 0..45°C
 conditions humidity 20..80% rF, not condensing
 Mounting switching cabinet mounting on hat rail DIN EN 50022 – 35 x 7,5 (see reverse side)

Measurements



Installation



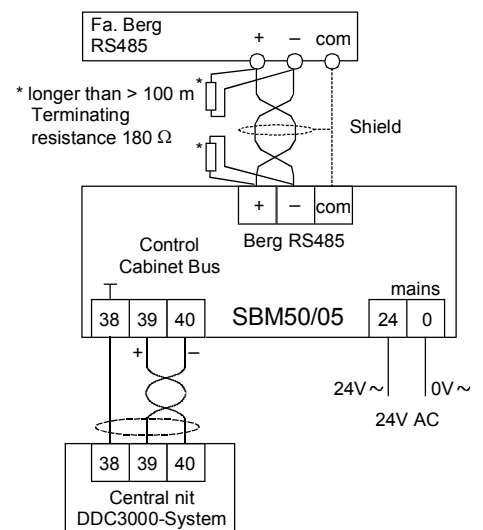
Warning

The electrical installation and the device connection may only be carried out by qualified personnel.

The VDE legal provisions and the local regulations should be observed.

- An isolated cable is required for the connection of the Control Cabinet Bus in the DDC3000 system, Cable type at least JY(St)Y 2x2x0,8 Lg. Both lines (terminals 39 and 40) must be in the form of twisted pairs. The earth connection (terminal 38) should be put on one of the remaining free lines.
At the end of the Control Cabinet Bus (most distant point from the Central Control Unit, max. 200 m), a terminating resistor ca. 180 Ω must be included on both data lines one time (terminating resistor for the Central Control Unit is included in the accessory pack).
- Make the RS485 connection with a shielded cable, cable type at least JY(St)Y 2x2x0,8 Lg. Both Lines (terminal + and -) must be in the form of twisted pairs. The earth connection (terminal com) is connected with the shielding of one of the remaining lines.
For line lengths > 100 m, both lines (terminal + and -) to the SBM50/05-connection and to the connection of the network monitoring module should be supplied with a terminating resistor (180 Ω) (See instructions of the pump manufacturer).

Device connection



Ausgabe 18.06.2001

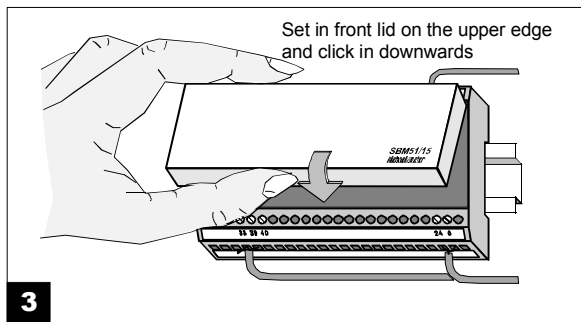
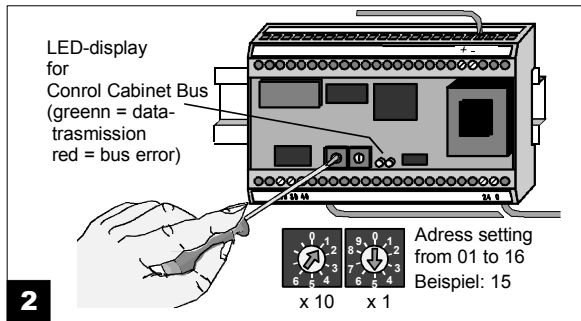
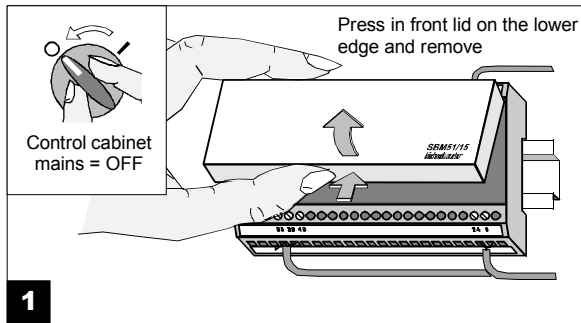
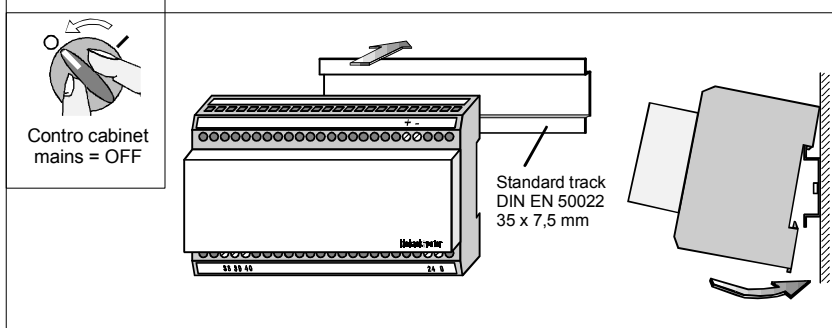
Mounting



Warning

Mounting and the connection of the device may only be carried out by qualified specialists.

The mains may be switched on only after the device setting by the commissioning technician/engineers has been completed.



Notice

Parameterization of the Control Cabinet Bus Module SBM50/05 is described in the engineering documentation of the DDC3000.