

Device description

SBM50/03 Control Cabinet Bus Module for Viessmann Dekamatik

Application

The Control Cabinet Bus Module SBM50/03 is used for the integration of boiler regulators from Viessmann in the DDC3000 system using the Viessmann communications interface DEKATEL-G.

With the Viessmann communications interface and the Control Cabinet Bus, the Viessmann boiler regulator communicates with the DDC3000 system.

Type

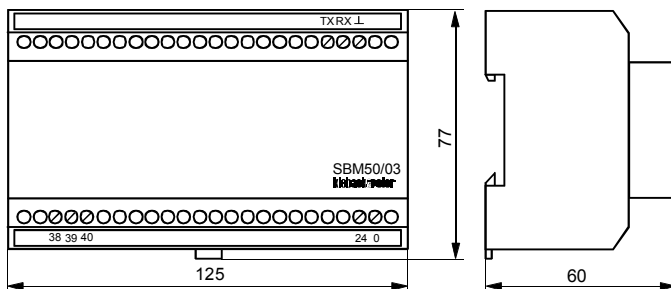
SBM50/03 Control Cabinet Bus Modules with DEKATEL-G Interface for boiler regulator from Viessmann.

Technical data

Mains	24 V AC $\pm 10\%$ / 225 mA, ca. 5.4 VA
Bus connection	DDC Control Cabinet Bus, maximum 200 m
Interface	DEKATEL-G for Viessmann boiler regulator
Fuse	electronic fuse for mains 24 V AC
Address switch	addressing 01..16 with 2 rotary switches
Displays	2 LED in the housing LED BUSY green: blinking = Control Cabinet Bus-data transmission LED ERROR red: lit up = Control Cabinet Bus-error
Degree of enclosure protection	IP20
Ambient conditions	temperature 0..45°C humidity 20..80% rF, not condensing
Mounting	switching cabinet mounting on standard track, see reverse side



Measurements



Installation



Warning

The electrical installation and the device connection may only be carried out by qualified personnel.

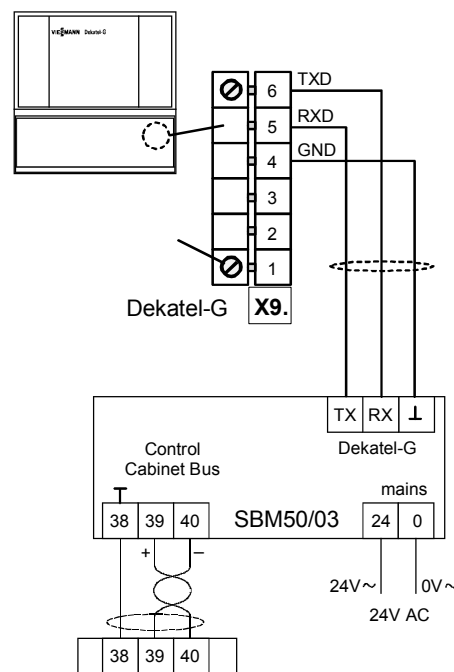
The VDE legal provisions and the local regulations should be observed.

- An isolated cable is required for the connection of the Control Cabinet Bus in the DDC3000 system, Cable type at least JY(St)Y 2x2x0,8 Lg. Both lines (terminals 39 and 40) must be in the form of twisted pairs. The earth connection (terminal 38) should be put on one of the remaining free lines.

At the end of the Control Cabinet Bus (most distant point from the Central Control Unit, max. 200 m), a terminating resistor ca. 180 Ω must be included on both data lines one time (terminating resistor for the Central Control Unit is included in the accessory pack).

- The connection to the DEKATEL-G interface for boiler regulators from Viessmann must be made with a shielded cable, cable type at least JY(St)Y 2x2x0,8 Lg. Line length maximum is 15 m.

Device connection



Ausgabe 18.06.2001

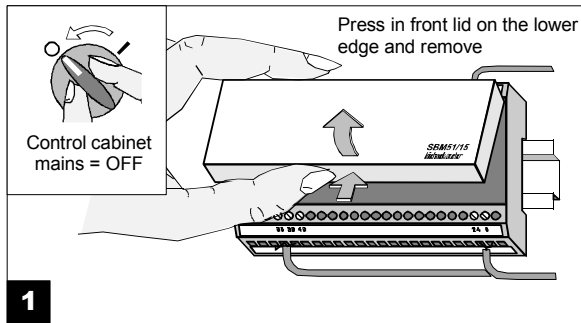
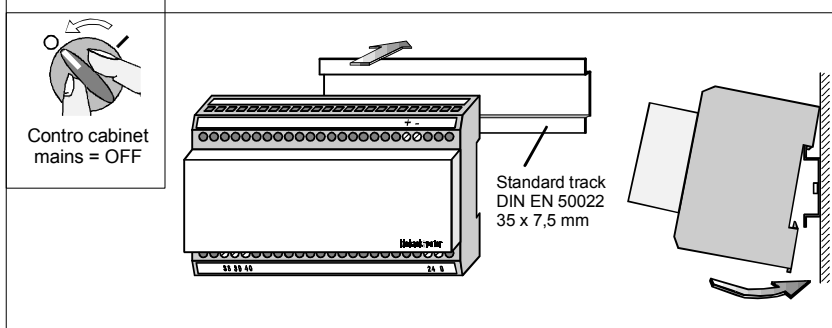
Mounting



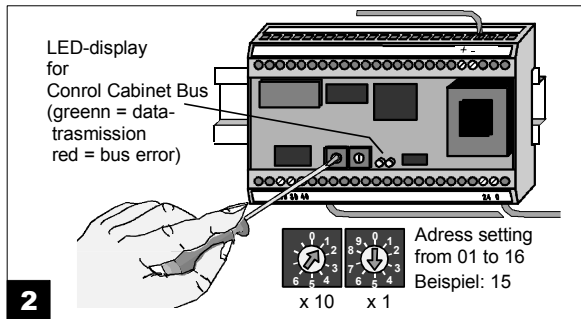
Warning

Mounting and the connection of the device may only be carried out by qualified specialists.

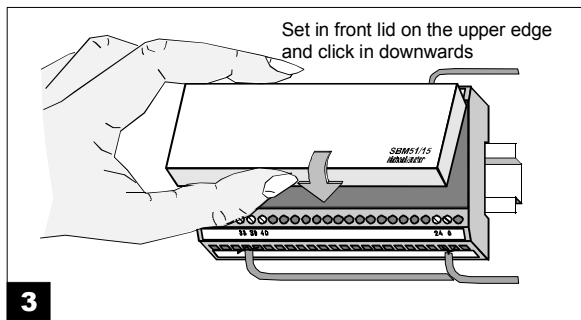
The mains may be switched on only after the device setting by the commissioning technician/engineers has been completed.



1



2



3



Notice

Die Parameterization of the Control Cabinet Bus Module SBM50/03 is described in the engineering documentation of the DDC3000.