

Device description

SBM50/02 Control Cabinet Bus Module for WILO or KSB Pumps with PLR Interface

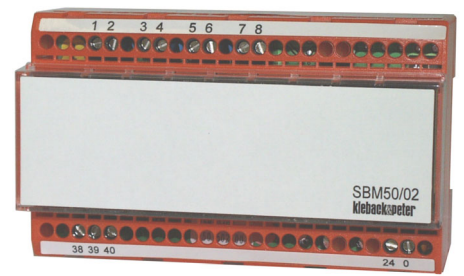
Application

The Control Cabinet Bus Module SBM50/02 is used for the integration of a maximum of four WILO or KSB pumps with PLR interface in the DDC3000 system.

The pumps communicate with the DDC3000 system with the four PLR interfaces and the Control Cabinet Bus.

Type

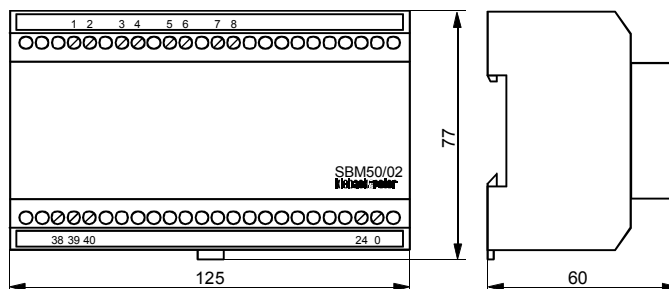
SBM50/02 Control Cabinet Bus Modules with PLR connection for the integration in the DDC3000 system of a maximum of four pumps from WILO or KSB.



Technical data

| | |
|--------------------------------|---|
| Mains | 24 V AC ±10% / 210 mA, 5 VA |
| Bus connection | DDC Control Cabinet Bus, maximum 200 m |
| Interface | 4 x PLR-pumps connection |
| Fuse | electronic fuse for mains 24 V AC |
| Address switch | addressing 01..16 with 2 rotary switches |
| Displays | 2 LED in the housing LED BUSY green: blinking = Control Cabinet Bus-data transmission LED ERROR red: lit up = Control Cabinet Bus-error |
| Degree of enclosure protection | IP20 |
| Ambient conditions | temperature 0..45°C humidity 20..80% rF, not condensing |
| Mounting | switching cabinet mounting on hat rail DIN EN 50022 – 35 x 7,5 (see reverse side) |

Measurements



Installation



Warning

The electrical installation and the device connection may only be carried out by qualified personnel.

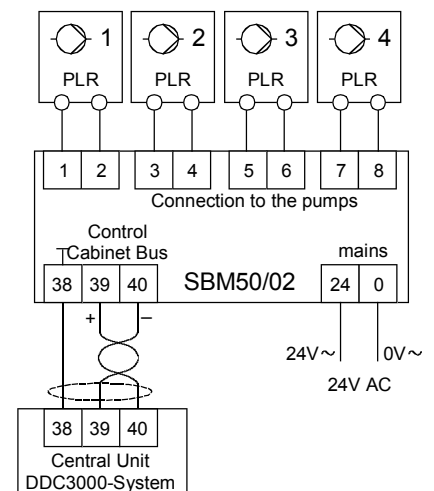
The VDE legal provisions and the local regulations should be observed.

- An isolated cable is required for the connection of the Control Cabinet Bus in the DDC3000 system, Cable type at least JY(St)Y 2x2x0,8 Lg. Both lines (terminals 39 and 40) must be in the form of twisted pairs. The earth connection (terminal 38) should be put on one of the remaining free lines.

At the end of the Control Cabinet Bus (most distant point from the Central Control Unit, max. 200 m), a terminating resistor ca. 180 Ω must be included on both data lines one time (terminating resistor for the Central Control Unit is included in the accessory pack).

- The connection to the PLR pumps can be carried out with an unshielded cable. Line diameter at least 0,8 mm. Line length for each PLR pump connection maximum 500 m (according to pump manufacturer)

Device connection



Ausgabe 18.06.2001

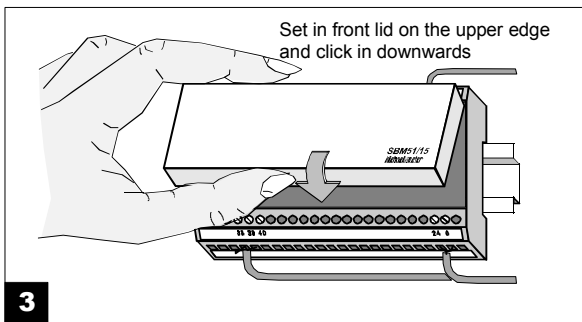
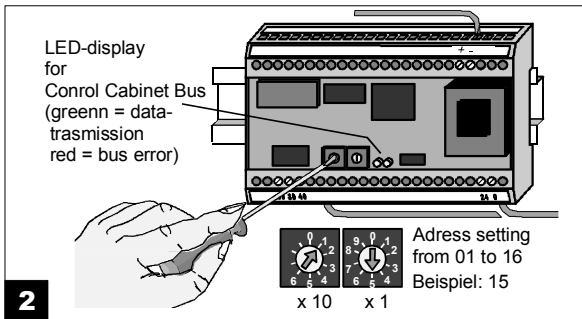
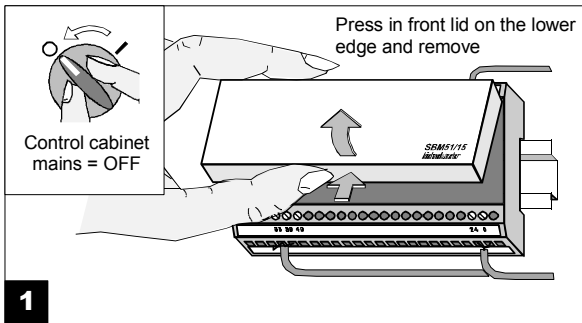
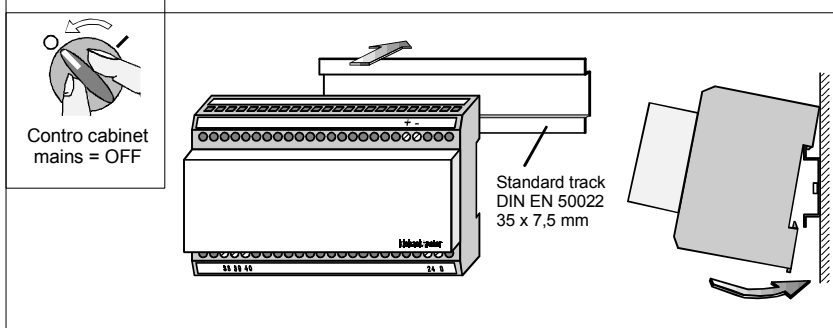
Mounting



Warning

Mounting and the connection of the device may only be carried out by qualified specialists.

The mains may be switched on only after the device setting by the commissioning technician/engineers has been completed.



Notice

Die Parameterization of the Control Cabinet Bus Module SBM50/02 is described in the engineering documentation of the DDC3000.