

## Device description

## SBM50/01 Control Cabinet Bus Module for Grundfos Pump systems UPE/TPE2000

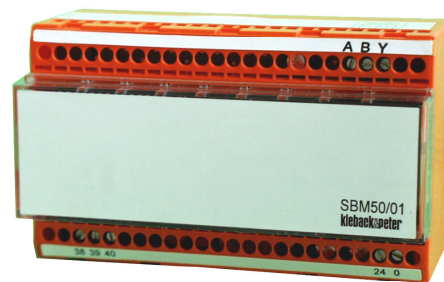
### Application

The Control Cabinet Bus Modules SBM50/01 in the DDC3000 system is used for the integration of a maximum of eight bus-capable pumps of the GRUNDFOS pump systems UPE/TPE2000.

With the Control Cabinet Bus and the GRUNDFOS bus, the pumps communicate with the DDC3000 system.

### Type

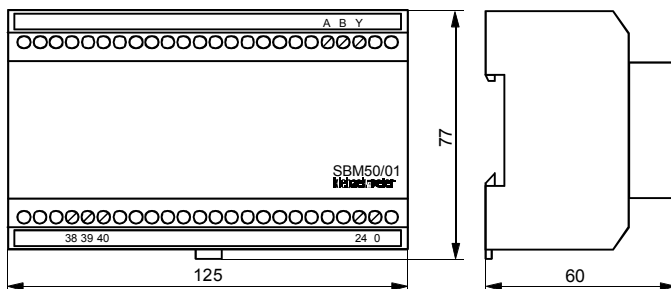
SBM50/01 Control Cabinet Bus Modules with GRUNDFOS bus connection (RS485) for the integration of a maximum of eight pumps from GRUNDFOS of the type UPE/TPE2000.



### Technical data

Mains	24 V AC ±10% / 210 mA, ca. 5 VA
Bus connection	DDC Control Cabinet Bus, maximum 200 m
Interface	GRUNDFOS bus (RS485)
Fuse	electronic fuse for mains 24 V AC
Address switch	addressing 01..16 with 2 rotary switches
Displays	2 LED in the housing LED BUSY green: blinking = Control Cabinet Bus data transmission LED ERROR red: lit up = Control Cabinet Bus error
Degree of enclosure protection	IP20
Ambient conditions	temperature 0..45°C humidity 20..80% rF, not condensing
Mounting	switching cabinet mounting on hat rail DIN EN 50022 – 35 x 7,5 (see reverse side)

### Measurements



### Installation



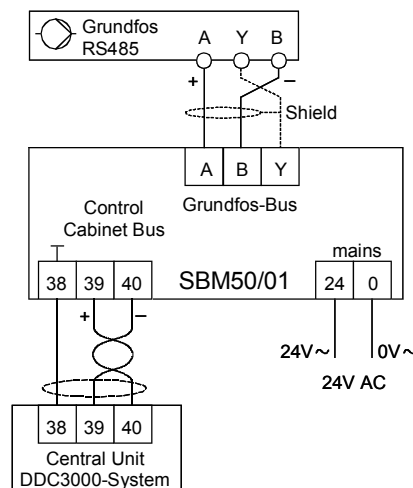
Warning

**The electrical installation and the device connection may only be carried out by qualified personnel.**

The VDE legal provisions and the local regulations should be observed.

- An isolated cable is required for the connection of the Control Cabinet Bus in the DDC3000 system, Cable type at least JY(St)Y 2x2x0,8 Lg. Both lines (terminals 39 and 40) must be in the form of twisted pairs. The earth connection (terminal 38) should be put on one of the remaining free lines.  
At the end of the Control Cabinet Bus (most distant point from the Central Control Unit, max. 200 m), a terminating resistor ca. 180 Ω must be included on both data lines one time (terminating resistor for the Central Control Unit is included in the accessory pack).
- The connection to the GRUNDFOS pump system must be made with a shielded cable and twisted pair lines. Line length maximum 500 m (according to pump manufacturer)

### Device connection



Date 18.06.2001

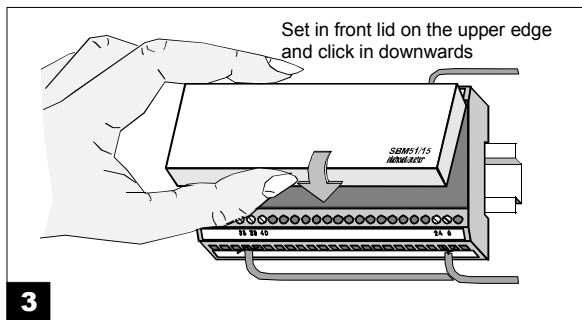
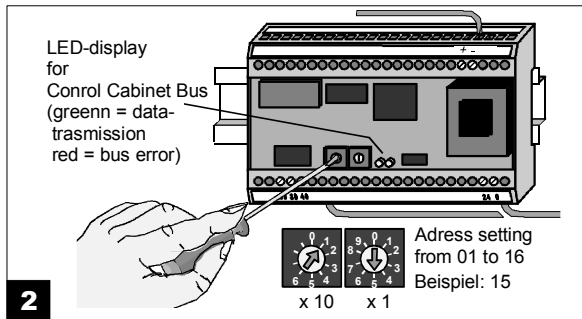
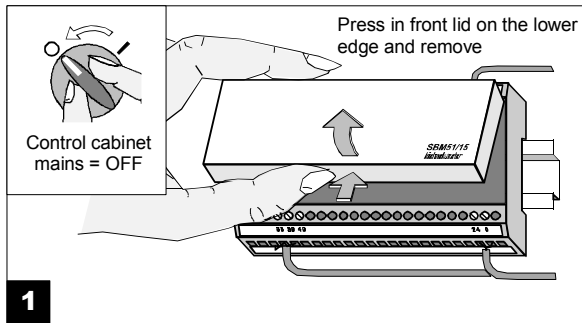
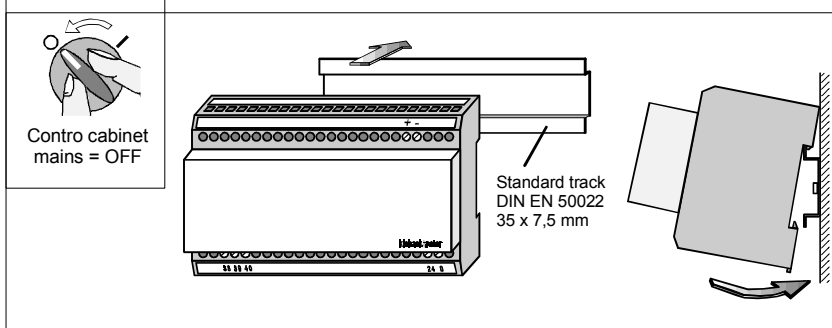
**Mounting**



Warning

**Mounting and the connection of the device may only be carried out by qualified specialists.**

**The mains may be switched on only after the device setting by the commissioning technician/engineers has been completed.**



Notice

**Die Parameterization of the Control Cabinet Bus Module SBM50/01 is described in the engineering documentation of the DDC3000.**