

Control Cabinet Bus Module SBM45

Basic function

Control Cabinet Bus Module SBM with 32 LED for signalling. Steady or blinking light as well as the color of the LED is parameterizable.

16 push-button with LED. The function of the push-button can be selected as push-button, switch or switch group with parameters. The display function of the LED as well as the color is parameterizable separately as steady or blinking light.

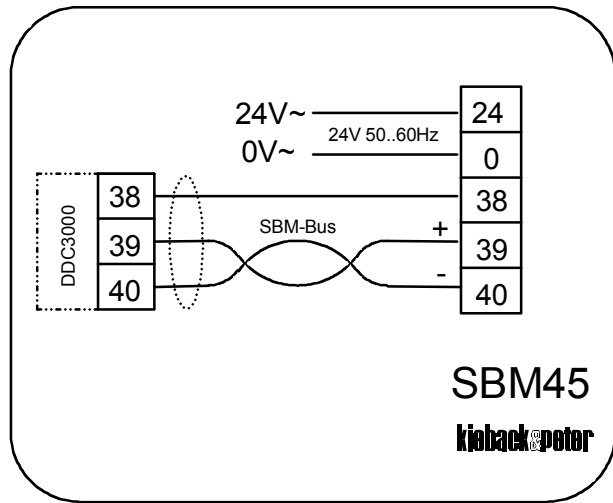


Technical data

Bus connection	Control Cabinet Bus; SBM bus	16 Control Cabinet Bus Module SBM; 200m; 40kBaud; CAN
Inputs and outputs	no	
Nominal voltage	for SBM	24V AC ±10%; 50..60Hz; 1.5VA
Fuse	electronic	
Address switch	00 .. 16 with 2 rotary switches behind the front panel	
Displays	LED Bus, LED Error 48 multi-colored LED (of these 16 in keys)	
Switch / push-button	16 push-button with colored LED	
Degree of enclosure protection	IP40	
Ambient temperature	0..45°C	
Ambient humidity	in operation: 20..80%rF, not condensing out of operation: 5..90%rF, not condensing	
Housing	19" short cassette made of plastic, 4-fold width W x H x D; 202mm x 132mm x 45mm	
Front panel cut-out	200.4mm x 112.0mm	
Weight	0.35kg	
Identification	CE	

Date 23.05.2001

Wiring Diagram



Installation Dimensions

