

Control Cabinet Bus Module SBM44

Basic function

Control Cabinet Bus Module SBM with 64 LED.
 The display function of the LED as well as color is separately parameterizable as steady or blinking light.

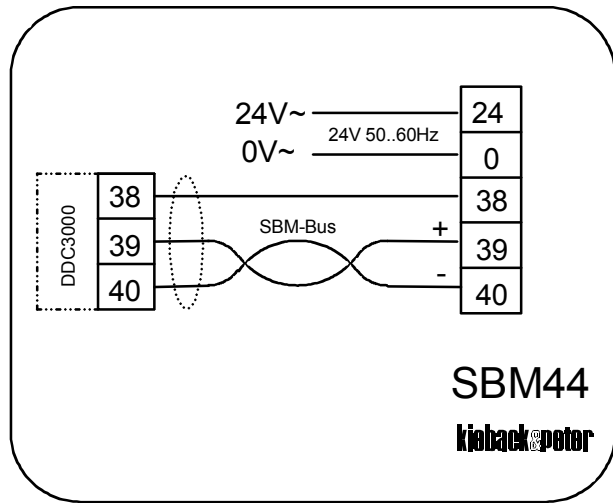


Technical data

Bus connection	Control Cabinet Bus; SBM bus	16 Control Cabinet Bus Module SBM; 200m; 40kBaud; CAN
Inputs and outputs	no	
Nominal voltage	for SBM	24V AC ±10%; 50..60Hz; 1,5VA
Fuse	electronic	
Address switch	00 .. 16 with 2 rotary switches behind the front panel	
Displays	LED Bus, LED Error 64 multi-colored LED in the keys	
Switch / push-button	no	
Degree of enclosure protection	IP40	
Ambient temperature	0..45°C	
Ambient humidity	in operation: 20..80%rF, not condensing out of operation: 5..90%rF, not condensing	
Housing	19" short cassette made of plastic, 4-fold width W x H x D; 202mm x 132mm x 45mm	
Front panel cut-out	200.4mm x 112.0mm	
Weight	0.35kg	
Identification	CE	

Date 23.05.2001

Wiring Diagram



Installation Dimensions

