

**Control Cabinet Bus Module
SBM43**

Basic function

Control Cabinet Bus Module SBM with 32 push-buttons with LED.

The function of the push-button can be selected with parameters as a push-button, switch or switch group.

The display function as well as color of the LED is separately parameterizable as steady or blinking light.

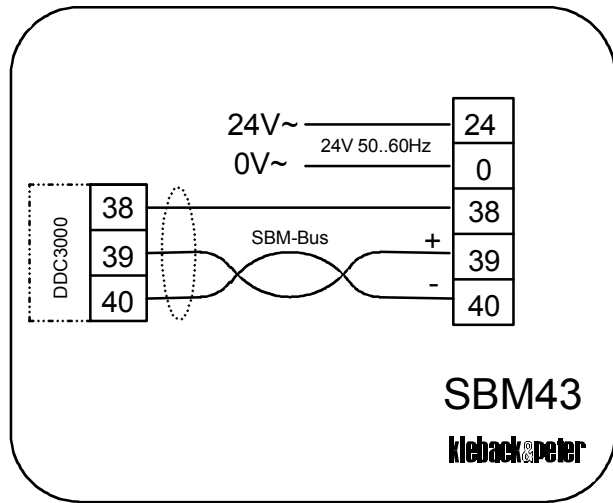


Technical data

Bus connection	Control Cabinet Bus; SBM bus	16 Control Cabinet Bus Module SBM; 200m; 40kBaud; CAN
Inputs and outputs	no	
Nominal voltage	for SBM	24V AC ±10%; 50..60Hz; 1.5VA
Fuse	electronic	
Address switch	00 .. 16 with 2 rotary switches behind the front panel	
Displays	LED Bus, LED Error 32 multi-colored LED in the keys	
Switch / push-button	32 push-button with colored LED	
Degree of enclosure protection	IP40	
Ambient temperature	0..45°C	
Ambient humidity	in operation: 20..80%rF, not condensing out of operation: 5..90%rF, not condensing	
Housing	19" short cassette made of plastic, 4-fold width W x H x D; 202mm x 132mm x 45mm	
Front panel cut-out	200.4mm x 112.0mm	
Weight	0,35kg	
Identification	CE	

Date 23.05.2001

Wiring Diagram



Installation Dimensions

