

Control Cabinet Bus Module SBM22

Basic function

Control Cabinet Bus Module SBM with 16 binary inputs.

Another 12 binary inputs or outputs. These are separately switchable with a parameter of the basic program.

16 LED for signalling. Steady or blinking light as well as the color of the LED is parameterizable.

8 push-buttons with LED. The function of the push-button can be parameterized as push-button, switch or switch group. The display function of the LED as well as the color is separately parameterizable as a steady or blinking light.

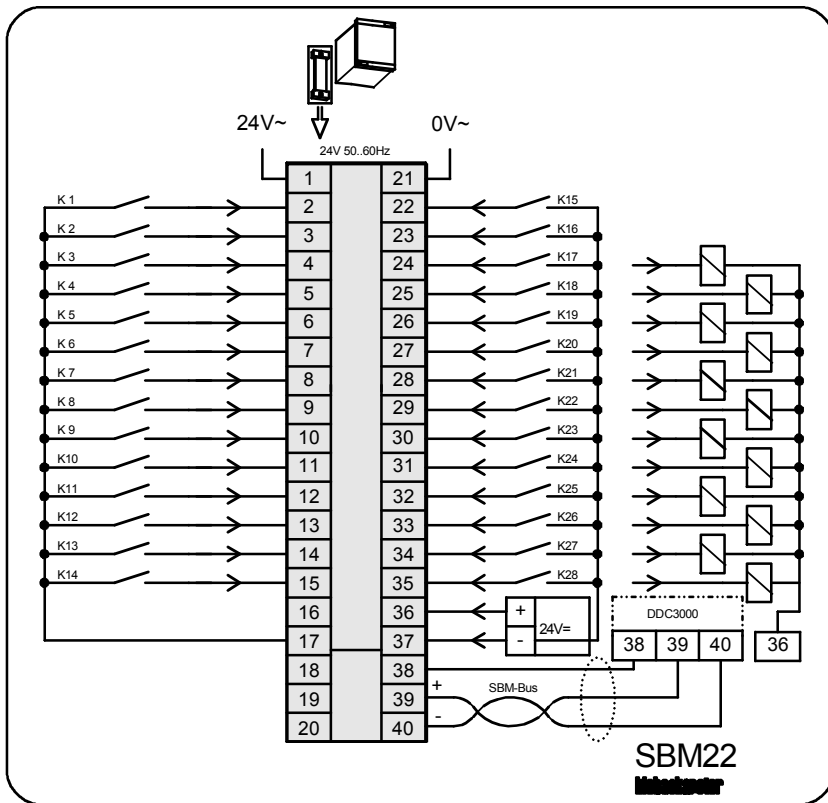


Technical data

Bus connection	Control Cabinet Bus; SBM bus	16 Control Cabinet Bus Module SBM; 200m; 40kBaud; CAN
Inputs and outputs	16 binary inputs BE	zero-voltage contact 5mA at 24V DC max. 250Ω
	12 binary outputs BA selectable as BE	Transistor output max. 80mA, 24V DC
Nominal voltage	for SBM	24V AC ±10%; 50..60Hz; 2.5VA
	for Inputs and outputs	24V DC ±10%; 200mA; 5W terminal 17 and 37 internally connected
Fuse	electronic	
Address switch	00 .. 16 with 2 rotary switches behind the front panel	
Displays	LED Bus, LED Error 24 multi-colored LED	
Switch / push-button	8 push-button with colored LED	
Degree of enclosure protection	IP40	
Ambient temperature	0..45°C	
Ambient humidity	in operation: 20..80%rF, not condensing out of operation: 5..90%rF, not condensing	
Housing	19" short cassette made of plastic, two-fold width with a plug-in base W x H x D; 101mm x 132mm x 137mm	
Front panel cut-out	98.8mm x 112.0mm	
Weight	0.4kg	
Identification	CE	

Date 23.05.2001

Wiring Diagram



Installation Dimensions

