

RWZ15..25, RZ15..25 Three-way and two-way valves**Application**

Brass three-way and two-way valves for precise mixing of liquids



Content	Page
Important Information Regarding Product Safety	2
Types	3
Accessories	4
Technical Data: RZ/RWZ15..25 Valves	5
Dimensions	5
Valve Installation.....	6
Valve concept	7

Änderungen vorbehalten - Contents subject to change - Sous réserve de modifications - Reservado el derecho a modificación - Wijzigingen voorbehouden - Con riserva di modifiche - Innehåll som skall ändras - Změny vyhrazeny - Zmiany zastrzeżone - Возможны изменения - A változtatások jogát fenntartjuk - 保留未经通知而改动的权力

Important Information Regarding Product Safety

Safety Instructions

This data sheet contains information on installing and commissioning the product "RWZ15..25, RZ15..25". Each person who carries out work on this product must have read and understood this data sheet. If you have any questions that are not resolved by this data sheet, you can obtain further information from the supplier or manufacturer.

If the product is not used in accordance with this data sheet, the protection provided will be impaired.

Applicable regulations must be observed when installing and using the device. Within the EU, these include regulations regarding occupational safety and accident prevention as well as those from the VDE (Association for Electrical, Electronic & Information Technologies). If the device is used in other countries, it is the responsibility of the system installer or operator to comply with local regulations.

Mounting, installation and commissioning work on the devices may only be carried out by qualified technicians. Qualified technicians are persons who are familiar with the described product and who can assess given tasks and recognize possible dangers due to technical training, knowledge and experience as well as knowledge of the appropriate regulations.

Legend



WARNING

Indicates a hazard of medium risk which can result in death or severe bodily injury if it is not avoided.



CAUTION

Indicates a hazard of low risk which can result in minor or medium bodily injury if it is not avoided.



CAUTION

Indicates a hazard of medium risk which can result in material damage or malfunctions if it is not avoided.



NOTE

Indicates additional information that can simplify the work with the product for you.

Notes on Disposal

For disposal, the product is considered waste from electrical and electronic equipment (electronic waste) and must not be disposed of as household waste. Special treatment for specific components may be legally binding or ecologically sensible. The local and currently applicable legislation must be observed.

Product Description**RWZ15..25, RZ15..25****Types**

RZ15..25 brass two-way valves for water temperatures of 0 °C..+120 °C

Type	DN	PN	kvs	Connection	Weight (kg)
RZ15/0,25	15	16	0,25	G 1/2A	0,160
RZ15/0,4	15	16	0,4	G 1/2A	0,160
RZ15/0,63	15	16	0,63	G 1/2A	0,160
RZ15/1,0	15	16	1,0	G 1/2A	0,160
RZ15/1,6	15	16	1,6	G 1/2A	0,150
RZ15/2,5	15	16	2,5	G 1/2A	0,160
RZ20/4,0	20	16	4,0	G 3/4A	0,215
RZ25/6,3	25	16	6,3	G 1 1/4A	0,500
RZ25/8,0	25	16	8,0	G 1 1/4A	0,500

RWZ15..25 brass three-way valves for water temperatures of 0 °C..+120 °C

Type	DN	PN	kvs	Connection	Weight (kg)
RWZ15/0,25	15	16	0,25	G 1/2A	0,170
RWZ15/0,4	15	16	0,4	G 1/2A	0,170
RWZ15/0,63	15	16	0,63	G 1/2A	0,170
RWZ15/1,0	15	16	1,0	G 1/2A	0,170
RWZ15/1,6	15	16	1,6	G 1/2A	0,170
RWZ15/2,5	15	16	2,5	G 1/2A	0,170
RWZ20/4,0	20	16	4,0	G 3/4A	0,245
RWZ25/6,3	25	16	6,3	G 1 1/4A	0,630
RWZ25/8,0	25	16	8,0	G 1 1/4A	0,630

Accessories

Not included.

Two Z... fittings are required for RZ15..25 two-way valves and three Z... fittings for RWZ15..25 three-way valves.

Z201 DN15 male thread fitting, 1/2" union nut, 3/8" nipple

Z202 DN20 male thread fitting, 3/4" union nut, 1/2" nipple

Z203 DN25 male thread fitting, 1 1/4" union nut, 1" nipple

Z204 DN15 solder fitting, 1/2" union nut, D 12 mm nipple

Z205 DN20 solder fitting, 3/4" union nut, D 15 mm nipple

Z206 DN25 solder fitting, 1 1/4" union nut, D 28 mm nipple



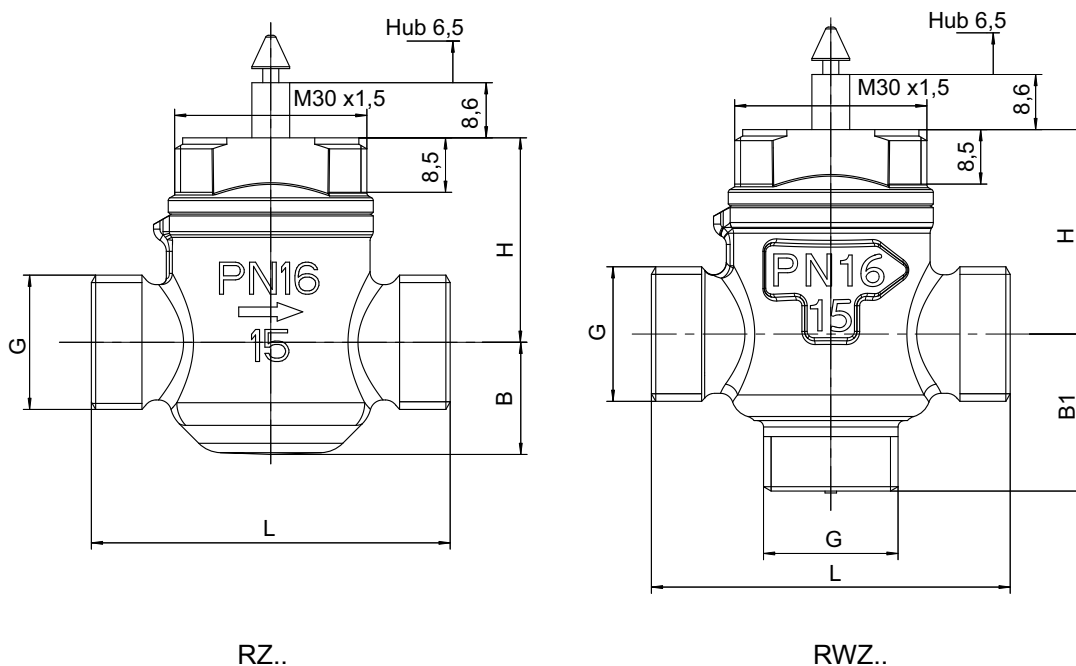
Product Description

RWZ15..25, RZ15..25

Technical Data: RZ/RWZ15..25 Valves

Nominal diameter	DN 15–25
Pressure rating	PN 16
Connection	G 1/2A ..G 1 1/4A male thread
Characteristic curve	RZ.. Same percentage RWZ.. RWZ.. A → AB = same percentage, B → AB = linear
Actuating stroke	6.5 ± 0.5 mm
Leak rate	In acc. with EN 1349, leakage class VI
Medium temperature	Cold and hot water 0 °C–120 °C with antifreeze and anti-corrosive agents (max. 50%), glycol, glycerin, ethylene glycol, propylene glycol, monoethylene, ethanol, methanol, Antifrogen® N + L. Not to be used for media based on mineral oils.
Housing	Two-way valve hot-pressed brass CW602N; Three-way valve permanent mold casting CuZn362Al-B
Cone	Brass
Valve stem	Stainless steel
Adapter	Stainless steel
Sealing elements	EPDM

Dimensions



DN	G	L	B	B1	H
15	G 1/2A	56	18	24.5	32
20	G 3/4A	66	19	33	34
25	G 1 1/4A	76	26	38	46

Dimensions L to H in mm

Valve Installation



CAUTION

Installation and commissioning work may only be carried out by qualified technicians.

If the valve is installed in the system, make sure that no differential pressure builds up in the valve body before beginning work. If necessary, close the gate valve and turn off pumps. After the pipeline has cooled off, the actuator can be installed.

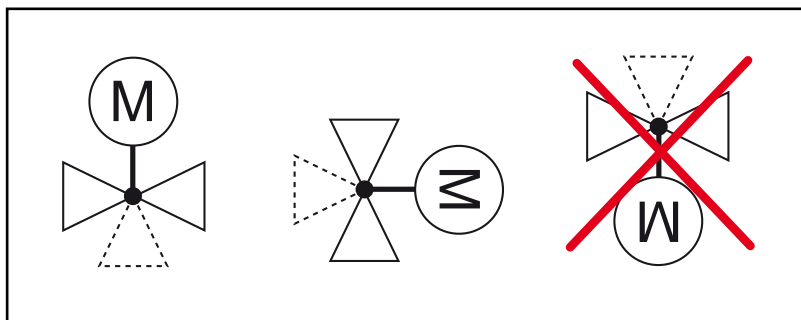
Be sure to comply with VDE guidelines and local wiring regulations. The device is connected according to the legally binding system circuit diagram.

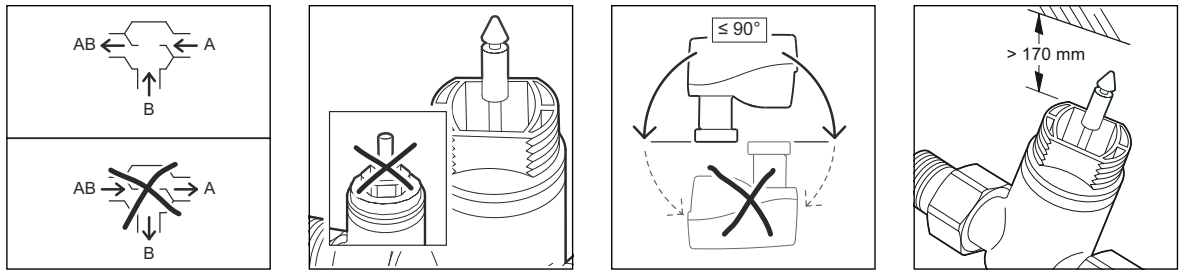


CAUTION

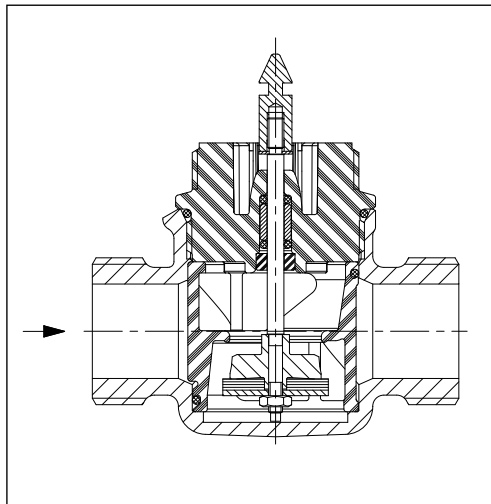
The valve may only be installed by qualified technicians. In addition to the generally applicable installation guidelines, the following items are to be observed:

- The pipeline system and the fixture interior must be free of foreign objects. In the event of contaminated media, dirt collectors are to be inserted upstream of the valves with fine screens, mesh width 0.25 mm.
- There must be no tension between the valve and the pipeline connection.
- To avoid eddy formations in the valve body, the valve should be installed in a straight section of the pipe. A distance of 10 times the nominal diameter is recommended between the valve flange and manifold or other similar parts.
- The installation location is to be selected so that the ambient temperature at the actuator is kept between 0 °C–+50°C.
- When carrying out installation, the permissible max. pressure difference Δp and the specified direction of flow must be observed (see table in "Types" section, as well as the "Valve Principle").
- The three-way valves are to be used as mixing valves. Pay attention to the direction of flow (see fig. "Valve Principle").
- Once the valve is installed, make sure the ball in the valve seating can be moved easily by pushing in the valve stem.
- To install the actuator and remove the housing cover, approx. 170 mm of free space is required above the actuator.
- For safety reasons, do not suspend the small actuators under the valve.
- Observe the direction arrow on the valve body. Inverting the direction of flow impairs control behavior.

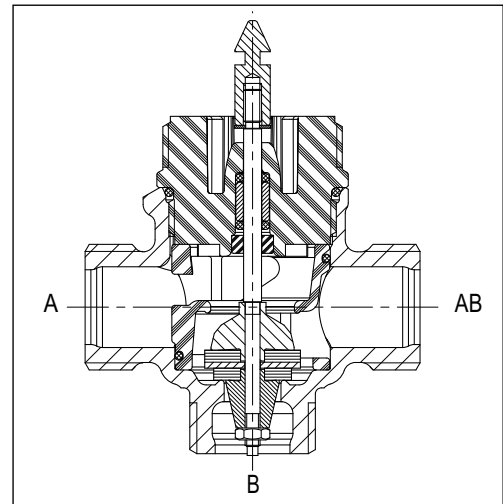




Valve concept



RZ..



RWZ..



NOTE

You can find more information on using the valves with actuators in the product descriptions of the MD15, MD15-R, MD15-E (3.09-20.015-01) and MD15/230 (3.09-20.150-01) actuators.

