

RTBSB-001.010 Room temperature loop controller**Application**

On/off control or monitoring temperatures in closed rooms.

One-pole switch contact for heating/cooling with thermal feedback.

Thermal feedback shortens the response time of the switching system.



Content	Page
Important Information Regarding Product Safety	2
Items	3
Technical data	3
Dimensions	3
Connection.....	3
Mounting	4

Änderungen vorbehalten - Contents subject to change - Sous réserve de modifications - Reservado el derecho a modificación - Wijzigingen voorbehouden - Con riserva di modifiche - Innehåll som skall ändras - Změny vyhrazeny - Zmiany zastrzeżone - Возможны изменения - A változtatások jogát fenntartjuk - 保留未经通知而改动的权力

Important Information Regarding Product Safety

Safety Instructions

This data sheet contains information on installing and commissioning the product "RTBSB-001.010 Room temperature loop controller". Each person who carries out work on this product must have read and understood this data sheet. If you have any questions that are not resolved by this data sheet, you can obtain further information from the supplier or manufacturer.

If the product is not used in accordance with this data sheet, the protection provided will be impaired.

Applicable regulations must be observed when installing and using the device. Within the EU, these include regulations regarding occupational safety and accident prevention as well as those from the VDE (Association for Electrical, Electronic & Information Technologies). If the device is used in other countries, it is the responsibility of the system installer or operator to comply with local regulations.

Mounting, installation and commissioning work on the devices may only be carried out by qualified technicians. Qualified technicians are persons who are familiar with the described product and who can assess given tasks and recognize possible dangers due to technical training, knowledge and experience as well as knowledge of the appropriate regulations.

Legend



WARNING

Indicates a hazard of medium risk which can result in death or severe bodily injury if it is not avoided.



CAUTION

Indicates a hazard of low risk which can result in minor or medium bodily injury if it is not avoided.



NOTICE

Indicates a hazard of medium risk which can result in material damage or malfunctions if it is not avoided.



NOTE

Indicates additional information that can simplify the work with the product for you.

Notes on Disposal

For disposal, the product is considered waste from electrical and electronic equipment (electronic waste) and must not be disposed of as household waste. Special treatment for specific components may be legally binding or ecologically sensible. The local and currently applicable legislation must be observed.

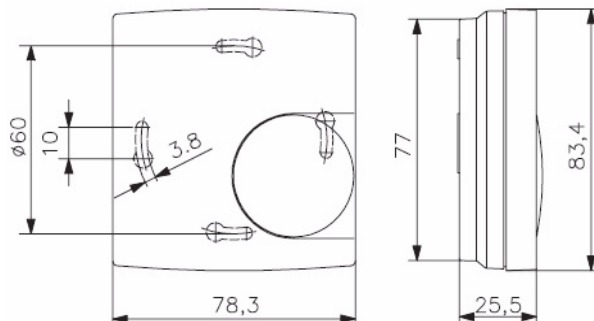
Items

RTBSB-001.010 Room temperature loop controller

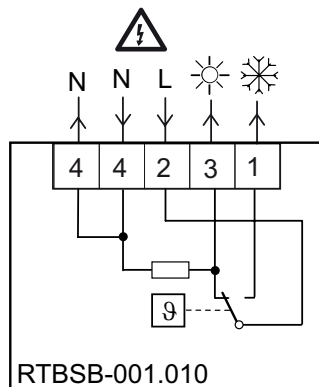
Technical data

Output	Switch (changeover switch) max. AC 250 V, 50 to 60 Hz
Switching current	Heating (terminal 2-3) max. AC 10 (4) A Cooling (terminal 2-1) max. AC 5 (2) A
Switching difference	Approx. 0.5 K
Max. permitted speed of temperature change for control path	4 K/h
Measuring system	Metal compound with thermal feedback
Setpoint range	5 to 30 °C, range can be adjusted using the setting knob
Connection	Screw terminals
Housing	White, similar to RAL 9010
Degree of protection	IP30
Protection class	II, when mounted accordingly
Ambient humidity	max. 95% r.h., non-condensing
Mounting	Surface-mounted or wall-mounted
Weight	0.09 kg
Dimensions	WxHxD = 78.3 x 83.4 x 25.5 mm

Dimensions



Connection



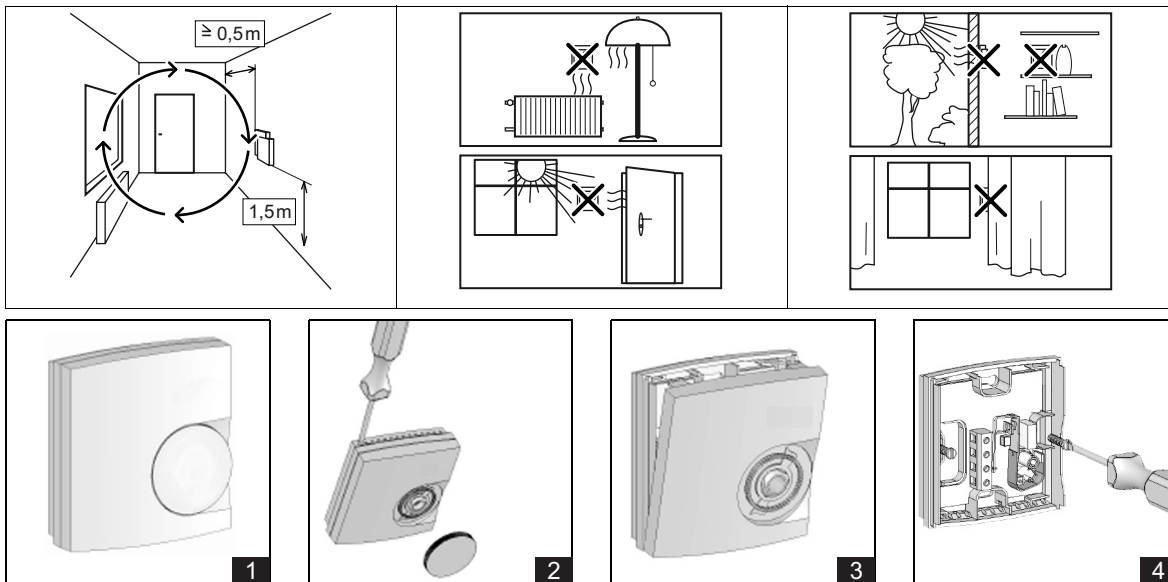
Mounting



WARNING

Contact with live parts of electrical domestic installation can cause death due to electric shock. Mounting/removal may only be carried out when power is switched off.

The room control module can be mounted on the wall or onto a flush-mounted box.. Choose an installation location that is subject to the air flow of the room to ensure that the controller can quickly and accurately measure the room temperature.

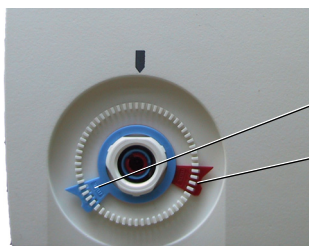


NOTICE

The controller is designed to withstand normal levels of contamination in homes and offices. Exposure to excessive dirt and dust caused by installation and renovation work can contaminate the contacts and cause the controller to stop working. Contacts must be cleaned by a qualified electrical engineer. Contacts may be blown down or cleaned using a dry brush.

Adjusting the range

You can use the knob located underneath the setting elements to mechanically delimit the setting range.



- (1) Setting element for minimum temperature value
- (2) Setting element for maximum temperature value



NOTE

The red and blue setting elements are factory-preset to 30 °C and 5 °C respectively. You can set the controller to the correct temperature by rotating the detent ring. One click corresponds to 1 °C.