

Product Description**RK15..100(-BF), RK65K(-BF)****RK15..100(-BF), RK65K(-BF) Three-way and two-way valves****Application**

Grey cast iron three-way and two-way valves for precise mixing of liquids.



Content	Page
Important Information Regarding Product Safety	2
Types	3
Technical Data Valves RK..(-BF)	4
Dimensions	5
Valve Installation	6
Valve Cross-Sections with Flow Directions	7
Overview of Compatible Valve Actuators	7

Änderungen vorbehalten - Contents subject to change - Sous réserve de modifications - Reservado el derecho a modificación - Wijzigingen voorbehouden - Con riserva di modifiche - Innehåll som skall ändras - Změny vyhrazeny - Zmiany zastrzeżone - Возможны изменения - A változtatások jogát fenntartjuk - 保留未经通知而改动的权力

Important Information Regarding Product Safety

Safety Instructions

This data sheet contains information on installing and commissioning the product "RK15..100(-BF), RK65K(-BF)". Each person who carries out work on this product must have read and understood this data sheet. If you have any questions that are not resolved by this data sheet, you can obtain further information from the supplier or manufacturer.

If the product is not used in accordance with this data sheet, the protection provided will be impaired.

Applicable regulations must be observed when installing and using the device. Within the EU, these include regulations regarding occupational safety and accident prevention as well as those from the VDE (Association for Electrical, Electronic & Information Technologies). If the device is used in other countries, it is the responsibility of the system installer or operator to comply with local regulations.

Mounting, installation and commissioning work on the devices may only be carried out by qualified technicians. Qualified technicians are persons who are familiar with the described product and who can assess given tasks and recognize possible dangers due to technical training, knowledge and experience as well as knowledge of the appropriate regulations.

Legend



WARNING

Indicates a hazard of medium risk which can result in death or severe bodily injury if it is not avoided.



CAUTION

Indicates a hazard of low risk which can result in minor or medium bodily injury if it is not avoided.



CAUTION

Indicates a hazard of medium risk which can result in material damage or malfunctions if it is not avoided.



NOTE

Indicates additional information that can simplify the work with the product for you.

Notes on Disposal

For disposal, the product is considered waste from electrical and electronic equipment (electronic waste) and must not be disposed of as household waste. Special treatment for specific components may be legally binding or ecologically sensible. The local and currently applicable legislation must be observed.

Product Description**RK15..100(-BF), RK65K(-BF)****Types**

Grey cast iron three-way valve RK.. for water up to 120 °C, 6 bar

	DN	PN	kvs	Stroke [mm]	Connection	Weight [kg]
RK15/0,63	15	6	0,63	14	Flange	2,2
RK15/1,0	15	6	1,0	14	Flange	2,2
RK15/1,25	15	6	1,25	14	Flange	2,2
RK15/1,6	15	6	1,6	14	Flange	2,2
RK15/2,5	15	6	2,5	14	Flange	2,2
RK15	15	6	4,0	14	Flange	2,2
RK20/5,0	20	6	5,0	14	Flange	3,0
RK20	20	6	6,3	14	Flange	3,0
RK25/8,0	25	6	8,0	14	Flange	3,7
RK25	25	6	10	14	Flange	3,7
RK32/12,5	32	6	12,5	14	Flange	5,6
RK32	32	6	16	14	Flange	5,6
RK40/20	40	6	20	14	Flange	7,0
RK40	40	6	25	14	Flange	7,0
RK50/31,5	50	6	31,5	14	Flange	8,4
RK50	50	6	40	14	Flange	8,4
RK65/50K	65	6	50	20	Flange	14,7
RK65K	65	6	63	20	Flange	14,7
RK65/50	65	6	50	30	Flange	14,7
RK65	65	6	63	30	Flange	14,7
RK80/80	80	6	80	30	Flange	22,0
RK80	80	6	100	30	Flange	22,0
RK100/125	100	6	125	30	Flange	31,0
RK100	100	6	160	30	Flange	31,0

Grey cast iron two-way valve RK..-BF for water up to 120 °C, 6 bar

	DN	PN	kvs	Stroke [mm]	Connection	Weight [kg]
RK15/0,63-BF	15	6	0,63	14	Flange	2,8
RK15/1,0-BF	15	6	1,0	14	Flange	2,8
RK15/1,25-BF	15	6	1,25	14	Flange	2,8
RK15/1,6-BF	15	6	1,6	14	Flange	2,8
RK15/2,5-BF	15	6	2,5	14	Flange	2,8
RK15-BF	15	6	4,0	14	Flange	2,8
RK20/5,0-BF	20	6	5,0	14	Flange	3,9
RK20-BF	20	6	6,3	14	Flange	3,9
RK25/8,0-BF	25	6	8,0	14	Flange	3,6
RK25-BF	25	6	10	14	Flange	3,7
RK32/12,5-BF	32	6	12,5	14	Flange	4,8
RK32-BF	32	6	16	14	Flange	4,8

RK15..100(-BF), RK65K(-BF)

Product Description

	DN	PN	kvs	Stroke [mm]	Connection	Weight [kg]
RK40/20-BF	40	6	20	14	Flange	8,8
RK40-BF	40	6	25	14	Flange	8,8
RK50/31,5-BF	50	6	31,5	14	Flange	10,5
RK50-BF	50	6	40	14	Flange	10,5
RK65/50K-BF	65	6	50	20	Flange	17,9
RK65K-BF	65	6	63	20	Flange	17,9
RK65/50-BF	65	6	50	30	Flange	17,9
RK65-BF	65	6	63	30	Flange	17,9
RK80/80-BF	80	6	80	30	Flange	26,3
RK80-BF	80	6	100	30	Flange	26,3
RK100/125-BF	100	6	125	30	Flange	37,1
RK100-BF	100	6	160	30	Flange	37,1

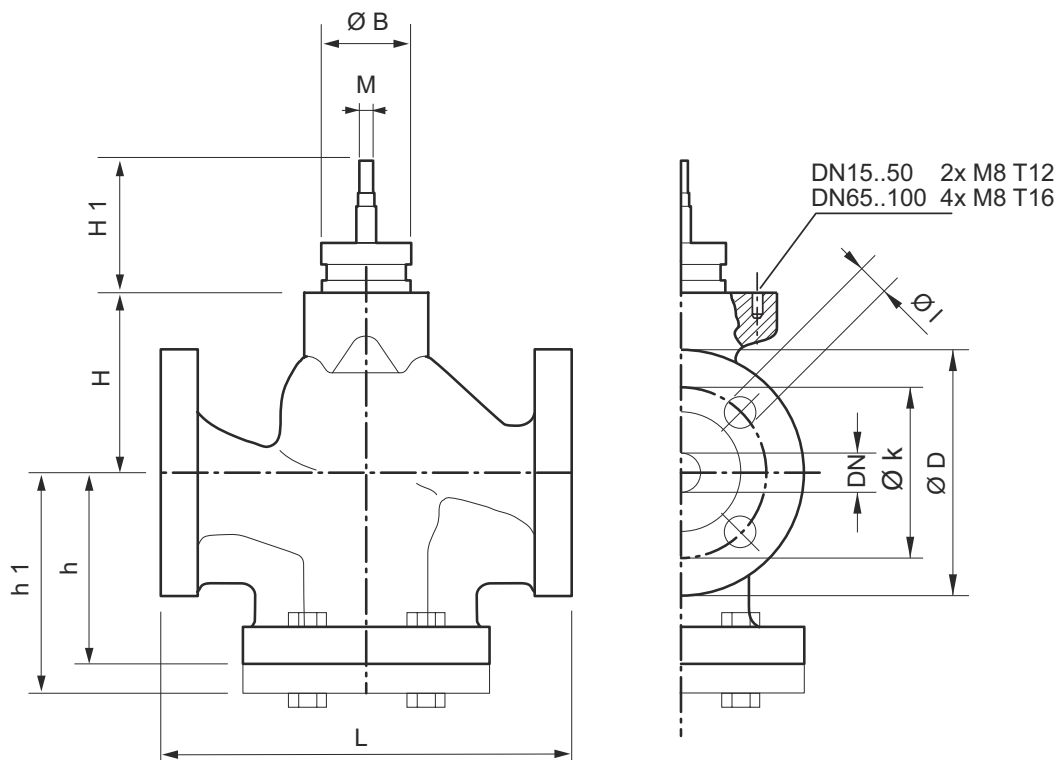
Technical Data Valves RK..(-BF)

Nominal diameter	DN15..100
Pressure rating	PN 6
Connection	Flange in accordance with EN 1092-2 Type 21
Characteristic curve	RK.. Gates A → AB = same percentage Gates B → AB = linear
	RK..-BF Gates A → AB = same percentage
Nominal stroke	RK15..50(-BF): 14 mm RK65K(-BF): 20 mm RK65..100(-BF): 30 mm
Leak rate	in accordance with EN 1349 leakage class VI G 1 (leak proof)
Medium temperature	0 °C to 130 °C (max. 120 °C at 6 bar)
Housing	Grey cast iron GG25/ EN-JL1040
Cone	Brass CW614N
Spindle	CrMo steel 1.4122
Seal	O-rings, EPDM peroxide-cured

Product Description

RK15..100(-BF), RK65K(-BF)

Dimensions



DN	L [mm]	h [mm]	h1 (RK..-BF) [mm]	H [mm]	H1 [mm]	M	$\varnothing B$ [mm]	$\varnothing D$ [mm]	$\varnothing k$ [mm]	$\varnothing I$ [mm]
15	130	65	86	42	46±1	M6	30	80	55	4x $\varnothing 11$
20	150	70	93	47	46±1	M6	30	90	65	4x $\varnothing 11$
25	160	75	98	52	46±1	M6	30	100	75	4x $\varnothing 11$
32	180	95	119	55	46±1	M6	30	120	90	4x $\varnothing 14$
40	200	100	124	58	46±1	M6	30	130	100	4x $\varnothing 14$
50	230	100	124	58	46±1	M6	30	140	110	4x $\varnothing 14$
65K	290	120	144	107	46±1	M6	30	160	130	4x $\varnothing 14$
65	290	120	144	107	62±1	M10	35	160	130	4x $\varnothing 14$
80	310	130	158	119	62±1	M10	35	190	150	4x $\varnothing 18$
100	350	150	178	126	62±1	M10	35	210	170	4x $\varnothing 18$

Valve Installation



CAUTION

Installation and commissioning work may only be carried out by qualified technicians.

If the valve is installed in the system, make sure that no differential pressure builds up in the valve body before beginning work. If necessary, close the gate valve and turn off pumps. After the pipeline has cooled off, the actuator can be installed.

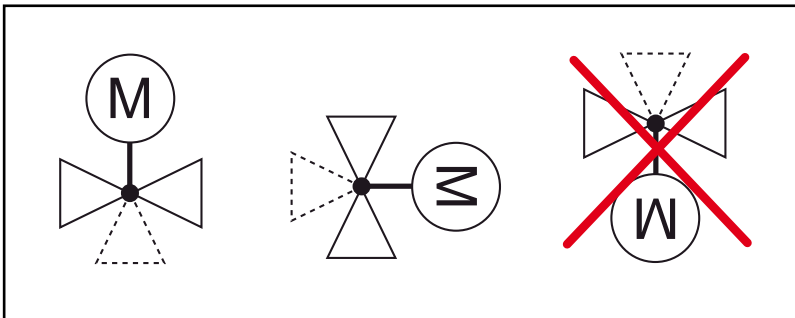
Be sure to comply with VDE guidelines and local wiring regulations. The device is connected according to the legally binding system circuit diagram.



CAUTION

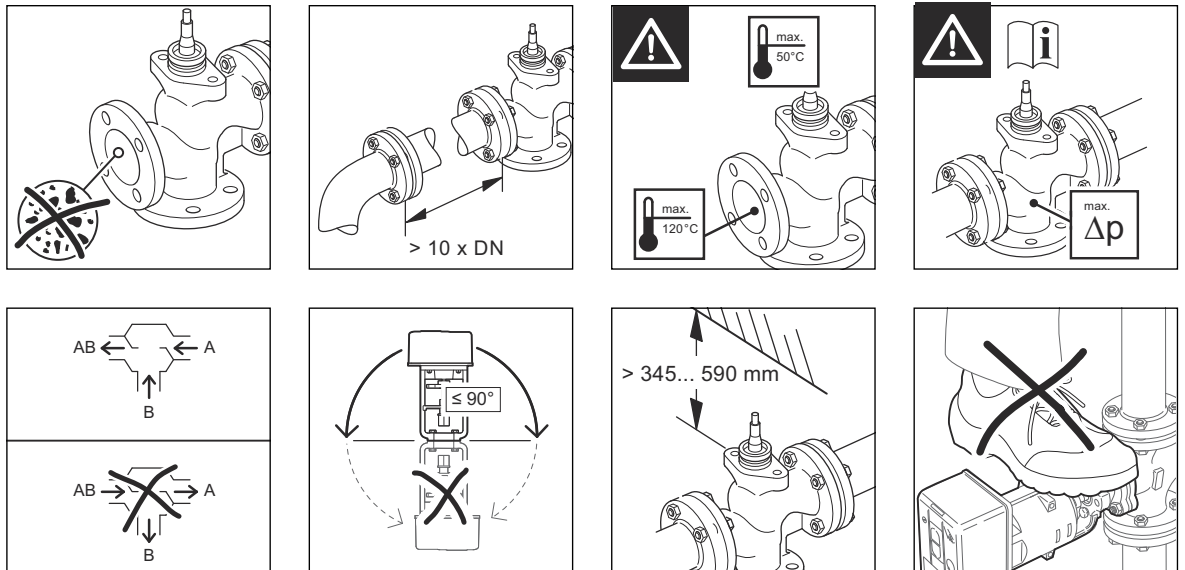
The valve may only be installed by qualified technicians. In addition to the generally valid installation guidelines, the following points are to be observed:

- Any protective caps on the valve gates should be removed before assembling the valves.
- No grease or oil may be used during assembly because these could destroy the valve seals.
- The pipeline system and the interior of the fitting must be free of foreign objects, particles of dirt, and grease and oil residues. Rinse them out if necessary.
- There must be no tension between the fixture and the pipeline connection.
- To avoid eddy formations in the valve body, the valve should be installed in a straight section of the pipe. A distance of 10 times the nominal diameter is recommended between the valve flange and manifold or other similar parts.
- The installation location is to be selected so that the ambient temperature at the actuator is kept between 0 °C and +50 °C.
- A strainer should be installed upstream of the valve. For maintenance purposes, shut-off valves should be installed upstream and downstream of the valve.
- When carrying out installation, observe the maximum permitted pressure difference Δp and the specified flow direction.
- When installing the drive or removing the connection cover, ensure that there is sufficient clearance above the drive.
- Observe the flow direction arrow on the valve body. Inverting the flow direction impairs control behavior.



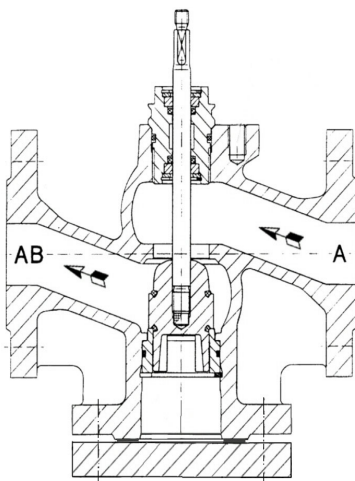
Product Description

RK15..100(-BF), RK65K(-BF)

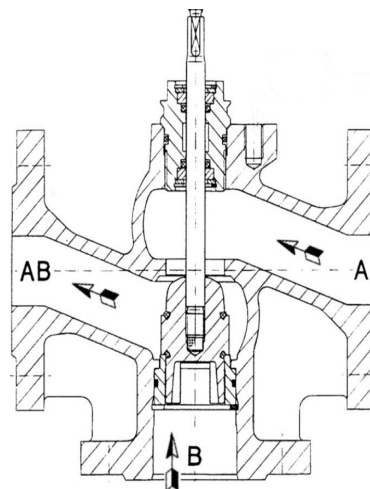


Valve Cross-Sections with Flow Directions

Two-way valve



Three-way valve



Overview of Compatible Valve Actuators

	M250xx	M300Kxx	MD50Y	MD200xx	MD210xx	MF200xx
RK15..RK50 (-BF)	-	-	X	X	X	X
RK65K(-BF)	-	-	-	X	X	X
RK65..RK100(-BF)	X	X	-	-	-	-



NOTE

You can find further information on using the valves with actuators in the product descriptions of the M250xx, M300Kxx, MD50Y, MD200xx, MD210xx and MF200xx actuators.

