

**Product Description****RDH15..100, RWH15..100****RDH15..100 two-way valves and RWH15..100 three-way valves****Application**

Cast steel two-way and three-way valves are used for the precise regulation of liquids, gases and vapors.



<b>Content</b>	<b>Page</b>
Important Information Regarding Product Safety .....	2
Types .....	3
Technical Data of Valves RDH15..100 and RWH15..100.....	4
Dimensions .....	5
Valve Installation.....	6
Valve Cross-Sections with Flow Directions .....	7
Overview of Compatible Valve Actuators .....	7

Änderungen vorbehalten - Contents subject to change - Sous réserve de modifications - Reservado el derecho a modificación - Wijzigingen voorbehouden - Con riserva di modifiche - Innehåll som skall ändras - Zmeny vyhradené - Změny vyhrazeny - Zmiany zastrzeżone - Возможны изменения - A változtatások jogát fenntartjuk - 保留未经通知而改动的权力

## Important Information Regarding Product Safety

### Safety Instructions

This data sheet contains information on installing and commissioning the product "RDH15..100, RWH15..100". Each person who carries out work on this product must have read and understood this data sheet. If you have any questions that are not resolved by this data sheet, you can obtain further information from the supplier or manufacturer.

If the product is not used in accordance with this data sheet, the protection provided will be impaired.

Applicable regulations must be observed when installing and using the device. Within the EU, these include regulations regarding occupational safety and accident prevention as well as those from the VDE (Association for Electrical, Electronic & Information Technologies). If the device is used in other countries, it is the responsibility of the system installer or operator to comply with local regulations.

Mounting, installation and commissioning work on the devices may only be carried out by qualified technicians. Qualified technicians are persons who are familiar with the described product and who can assess given tasks and recognize possible dangers due to technical training, knowledge and experience as well as knowledge of the appropriate regulations.

### Legend



#### WARNING

Indicates a hazard of medium risk which can result in death or severe bodily injury if it is not avoided.



#### CAUTION

Indicates a hazard of low risk which can result in minor or medium bodily injury if it is not avoided.



#### CAUTION

Indicates a hazard of medium risk which can result in material damage or malfunctions if it is not avoided.



#### NOTE

Indicates additional information that can simplify the work with the product for you.

### Notes on Disposal

For disposal, the product is considered waste from electrical and electronic equipment (electronic waste) and must not be disposed of as household waste. Special treatment for specific components may be legally binding or ecologically sensible. The local and currently applicable legislation must be observed.

**Product Description****RDH15..100, RWH15..100****Types**

RDH15..100 cast steel two-way valves for water up to 120°C at 40 bar or for hot water and vapor up to 200°C at 35 bar.

	<b>DN</b>	<b>PN</b>	<b>kvs</b>	<b>Stroke [mm]</b>	<b>Connection</b>	<b>Weight [kg]</b>
RDH15/0,63	15	40	0,63	20	flange	4,5
RDH15/1,0	15	40	1,0	20	flange	4,5
RDH15/1,6	15	40	1,6	20	flange	4,5
RDH15/2,5	15	40	2,5	20	flange	4,5
RDH15	15	40	4,0	20	flange	4,5
RDH25/6,3	25	40	6,3	20	flange	5,3
RDH25	25	40	10,0	20	flange	5,3
RDH32	32	40	16	20	flange	8,4
RDH40	40	40	25	20	flange	10,9
RDH50	50	40	40	20	flange	13,6
RDH65	65	40	63	30	flange	20,8
RDH80	80	40	100	30	flange	30
RDH100	100	40	160	30	flange	39,8

RWH15..100 cast steel three-way valves for water up to 120°C at 40 bar and for hot water and vapor up to 200°C at 35 bar.

	<b>DN</b>	<b>PN</b>	<b>kvs</b>	<b>Stroke [mm]</b>	<b>Connection</b>	<b>Weight [kg]</b>
RWH15/2,5	15	40	2,5	20	flange	5,7
RWH15	15	40	4	20	flange	5,7
RWH25/6,3	25	40	6,3	20	flange	7,8
RWH25	25	40	10	20	flange	7,8
RWH32	32	40	16	20	flange	10,7
RWH40	40	40	25	20	flange	14,3
RWH50	50	40	40	20	flange	18,4
RWH65	65	40	63	30	flange	25,7
RWH80	80	40	100	30	flange	32,7
RWH100	100	40	160	30	flange	50,7

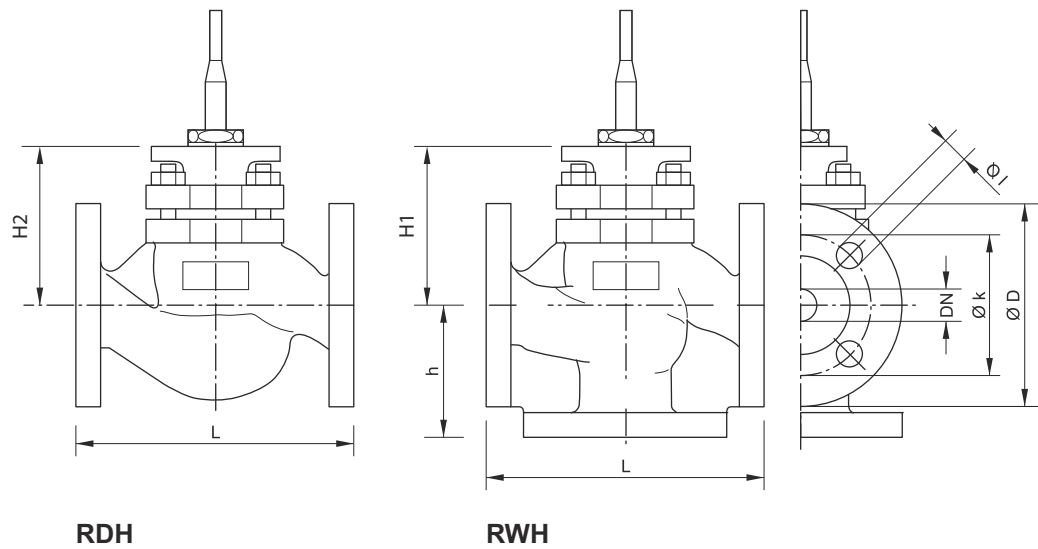
**RDH15..100, RWH15..100****Product Description****Technical Data of Valves RDH15..100 and RWH15..100**

Nominal diameter	DN15..100
Pressure rating	PN 40
Connection	Flange in accordance with DIN2545
Characteristic curve	RDH15..100.. same percentage
	RWH15..100 Gates A → AB = same percentage Gates B → AB = linear
Nominal stroke	DN15..50: 20 mm
	DN65..100: 30 mm
Leak rate	in accordance with EN 1349, leakage class IV
Medium temperature	0..200°C (max. 120 °C at 40 bar)
Housing	Cast steel 1.0619+N
Cone	Stainless steel 1.4021
Spindle	Stainless steel 1.4571
Seat ring	Stainless steel 1.4021
Seal	PTFE sealing sleeves with 15% graphite, maintenance-free

## Product Description

RDH15..100, RWH15..100

## Dimensions



DN	L [mm]	h [mm]	H1 [mm]	H2 [mm]	Ø D [mm]	Ø k [mm]	Ø l [mm]
15	130	65	114	107	95	65	4x Ø14
25	160	75	118	115	115	85	4x Ø14
32	180	80	144	115	140	100	4x Ø18
40	200	90	149,5	123	150	110	4x Ø18
50	230	100	147,5	129	165	125	4x Ø18
65	290	120	183,5	140	185	145	8x Ø18
80	310	130	199,5	156	200	160	8x Ø18
100	350	150	218,5	174	235	190	8x Ø22

**Valve Installation**



**CAUTION**

**Installation and commissioning work may only be carried out by qualified technicians.**

If the valve is installed in the system, make sure that no differential pressure builds up in the valve body before beginning work. If necessary, close the gate valve and turn off pumps. After the pipeline has cooled off, the actuator can be installed.

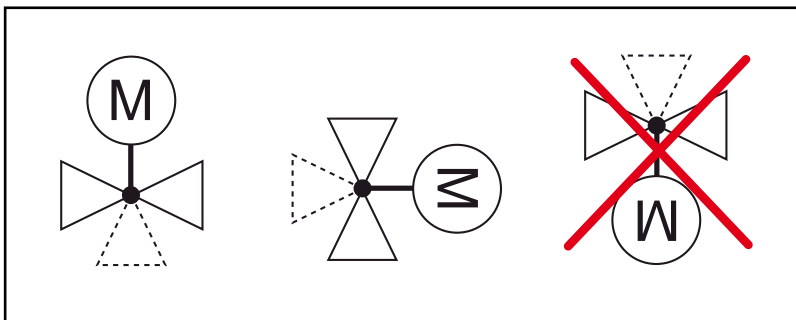
Be sure to comply with VDE guidelines and local wiring regulations. The device is connected according to the legally binding system circuit diagram.



**CAUTION**

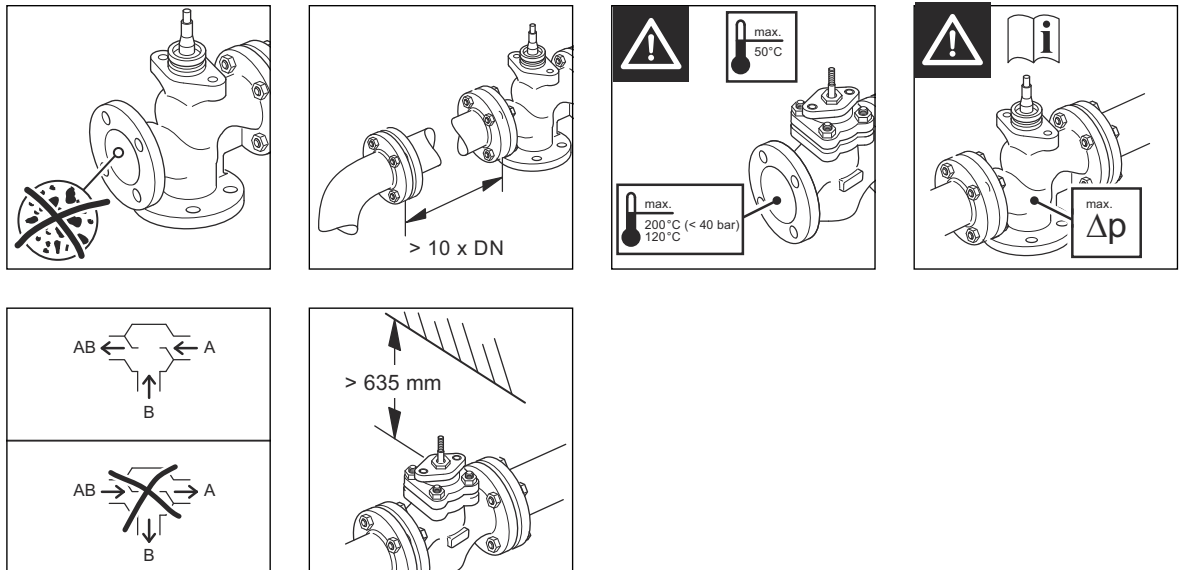
The valve may only be installed by qualified technicians. In addition to the generally valid installation guidelines, the following points are to be observed:

- Any protective caps on the valve gates should be removed before assembling the valves.
- No grease or oil may be used during assembly because these could destroy the valve seals.
- The pipeline system and the interior of the fitting must be free of foreign objects, particles of dirt, and grease and oil residues. Rinse them out if necessary.
- There must be no tension between the fixture and the pipeline connection.
- To avoid eddy formations in the valve body, the valve should be installed in a straight section of the pipe. A distance of 10 times the nominal diameter is recommended between the valve flange and manifold or other similar parts.
- The installation location is to be selected so that the ambient temperature at the actuator is kept between 0 °C and +50 °C.
- A strainer should be installed upstream of the valve. For maintenance purposes, shut-off valves should be installed upstream and downstream of the valve.
- When carrying out installation, observe the maximum permitted pressure difference  $\Delta p$  and the specified flow direction.
- When installing the drive or removing the connection cover, ensure that there is sufficient clearance above the drive.
- Observe the flow direction arrow on the valve body. Inverting the flow direction impairs control behavior.



**Product Description**

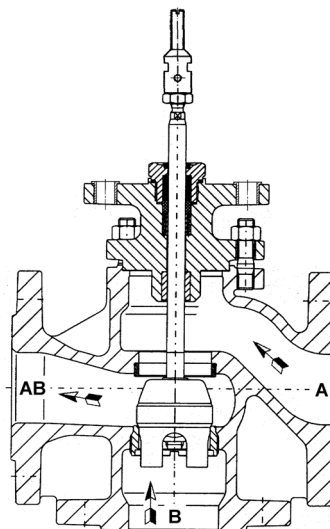
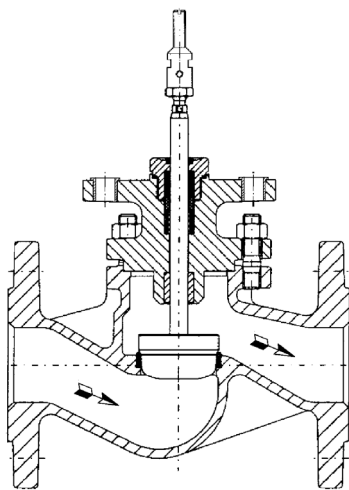
**RDH15..100, RWH15..100**



**Valve Cross-Sections with Flow Directions**

Two-way valve RDHxx

Three-way valve RWHxx



**Overview of Compatible Valve Actuators**

	M300	M300Y
RDH15..100	X	X
RWH15..100	X	X



**NOTE**

You can find further information on using the valves with actuators in the product descriptions of the M300 und M300Y.

