

**Room control module: RBW101, RBW103, RBW106, RBW108**

The RBW101, RBW103, RBW106, and RBW108 room control modules and the technolon® RCNxxx-L room controller form a functional unit in the LON network. The technolon® RCNxxx-L room controller can be identified in the LON network quickly and easily directly on the RBW room control module using a magnet. RBW room control modules are used to measure the room temperature in homes or commercial premises. The room temperature setpoint is adjusted using the setting knob.

The RBW103 room control module also includes operating buttons to switch between the present and absent functions.

The RBW106 room control module also includes operating buttons to control three fan speeds as well as a button for automatic mode.

The RBW108 room control module is similar to the RBW103, but also includes operating buttons to control three fan speeds as well as a button for automatic mode.



Subject to change

<u>Contents</u>	<u>Page</u>
Room control module: RBW101, RBW103, RBW106, RBW108 .....	1
Information about the device description .....	2
Safety instructions.....	2
Qualified technicians .....	2
Application.....	3
Types .....	3
Technical data.....	3
Mounting .....	4
Installation .....	5
Installing the technolon® RCNxxx-L room controller on a network .....	6
Offline installation.....	6
Online installation.....	6
Operation .....	6

Issue date June 5, 2007

### Information about the device description

The description contains information about using and installing the RBW101, RBW103, RBW106 and RBW108 room control modules.

If you have questions that are not covered by the device description, contact the supplier or manufacturer for further information.

The specified regulations/guidelines for mounting and installation are valid for the Federal Republic of Germany. If the device is used in other countries, local regulations are to be complied with at the personal responsibility of the system installer or operator.

Operating personnel are to be instructed according to the description of the technical data sheet.

### Safety instructions

The valid work protection, accident prevention and VDE regulations are to be observed for installing and using the units.

Installation and set-up work on the units may only be carried out by qualified technicians. See section "Qualified technicians".

Each person who uses the unit must have read and understood the descriptions in the technical data sheet.

If the unit is not used according to the device description, the protection provided could be impaired.

Meanings of symbols in the technical data sheet:



Caution

General warning, note must be observed



Note

Additional note to be observed

**Caution** Means that non-observance could risk injury or material damage.

**Note** Indicates information pointing out something that should be given special attention.

### Qualified technicians

Qualified technicians in the context of the technical data sheet are persons who are familiar with the described devices and have the necessary qualifications for their job.

This includes, for example:

Authorization to connect the units in accordance with VDE regulations and the local energy supply company regulations, as well as authorization for switching on, off and enabling devices under observance of in-house regulations

- Knowledge of accident prevention regulations
- Knowledge of the use of devices within the system
- etc.

**Device Description**

**RBW101, RBW103, RBW106, RBW108 Room Control Module**

**Application**

The RBW101, RBW103, RBW106 and RBW108 room control modules are used together with the technolon® RCNxxx-L room controller.

One RBW101, RBW103, RBW106 or RBW108 room control module can be connected to each technolon® RCNxxx-L room controller.

The technolon® RCN room controller can be identified in the LON network quickly and easily directly on the RBW room control module using a magnet.



RBW101



RBW103

**Types**

**RBW101** Room control module with room temperature sensor and manual setting of the room temperature setpoint.

**RBW103** Room control module with room temperature sensor and manual setting of the room temperature setpoint. Includes operating buttons to switch between the present and absent functions.

**RBW106** Room control module with room temperature sensor and manual setting of the room temperature setpoint. Includes operating buttons to control three fan speeds as well as a button for automatic mode.

**RBW108** Room control module with room temperature sensor and manual setting of the room temperature setpoint. Includes operating buttons to switch between present and absent functions, to control three fan speeds and a button for automatic mode.



RBW106







RBW108

**Technical data**

Voltage	DC 5V ± 20%, 25 mA
Measured variable	Room temperature for rooms in homes or commercial premises
Measuring system	Integrated digital room sensor
Setpoint adjuster	Digital, setting knob with trend arrows
Measuring range	0..45°C
Operating buttons	Back-lit

- RBW103  Presence button
-  Absence button

- RBW106  Buttons to control the fan speed (off, level 1, level 2, level 3 and automatic mode)

- RBW108  Presence button
-  Absence button
-  Buttons to control the fan speed (off, level 1, level 2, level 3 and automatic fan mode)

Housing	Plastic housing, color RAL9010 (white)
Ambient conditions	Temperature 0..45°C
	Air humidity Non-condensing
Interface	5-wire or RJ9 socket, for connecting to a technolon® RCNxxx-L room controller
Room control module	Cable length: max. 20 m (see note in "Installation")
Degree of protection	IP30
Dimensions	WxHxD: 82.5 x 82.5 x 30 mm
Mounting	Wall-mounted/mounted on flush-mounted box
Weight	0.11 kg

**Accessories** Not included in delivery  
 Z178 Connection line: room control module <-> room controller  
 Z178/2 Adapter: RJ plug - terminal block, 4-pole

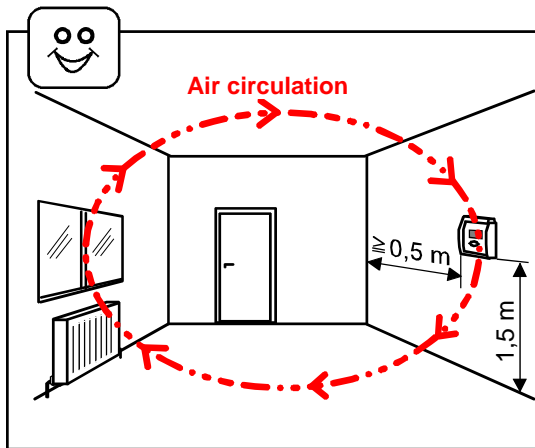
**Mounting**



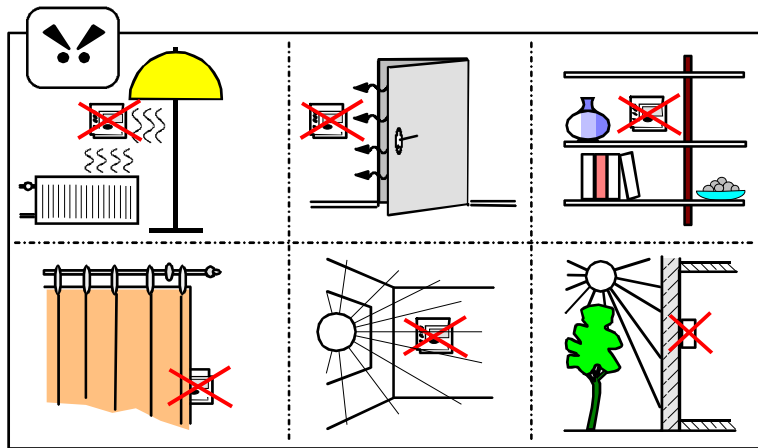
**Mounting and dismantling may only be carried out by qualified technicians; connection wires must first be disconnected from the mains power supply.**

The RBW101, RBW103, RBW106 and RBW108 room control modules can be mounted on the wall or onto a flush-mounted box.

The room control module should be installed in a location where it is exposed to the air circulation in the room so that it can quickly and accurately measure the room temperature.

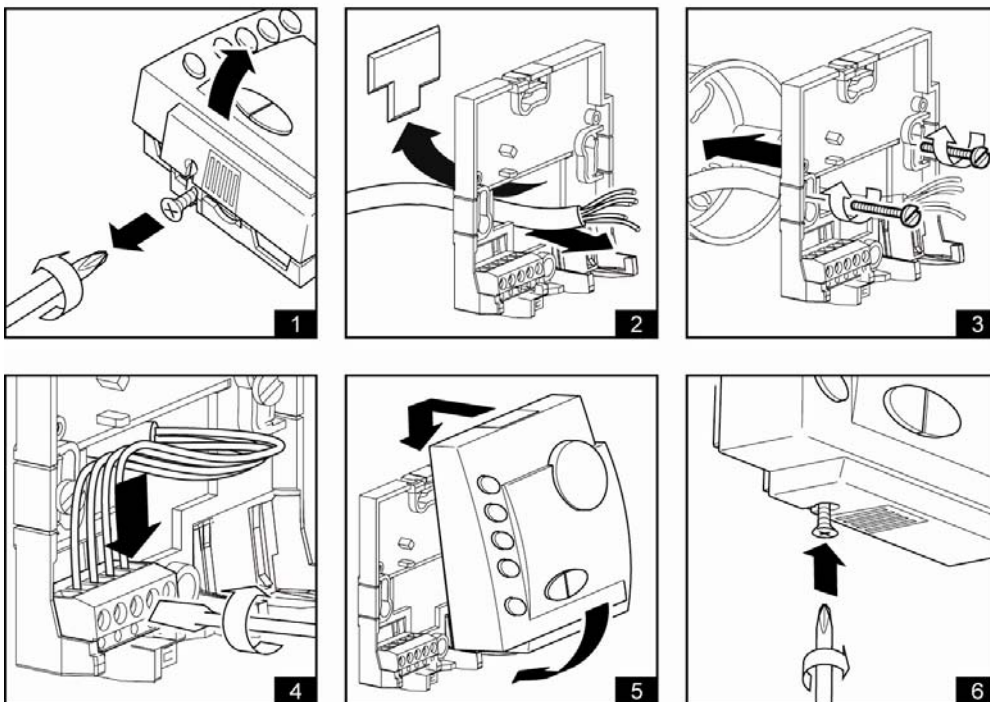


Correct



Incorrect

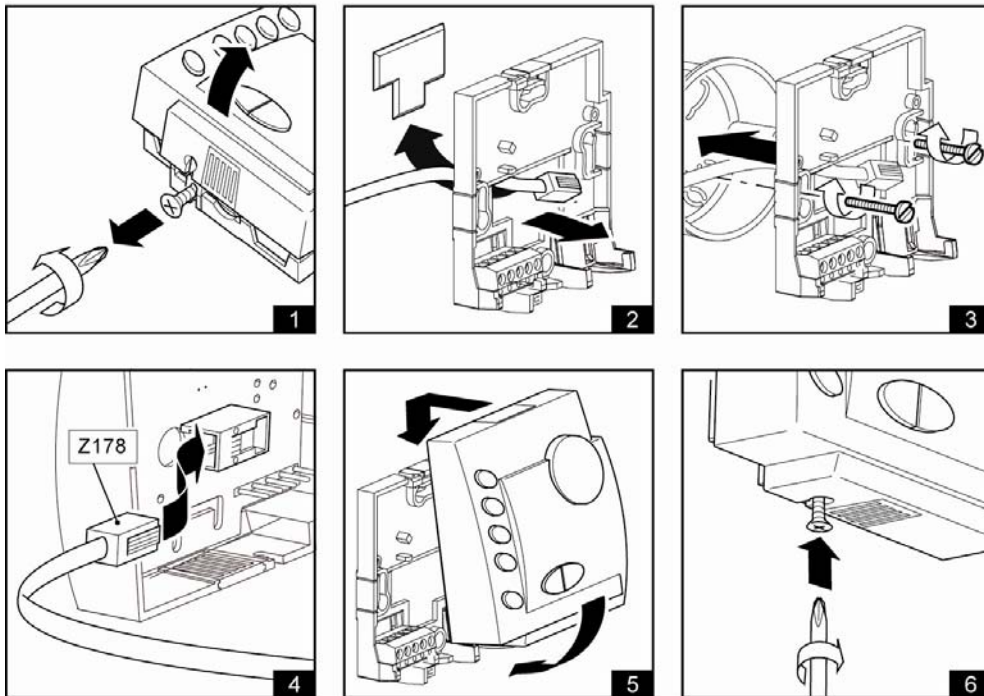
▪ 4-wire (connection to terminals)



## Device Description

## RBW101, RBW103, RBW106, RBW108 Room Control Module

- RJ9 socket (connection with pre-assembled cable)



## Installation



Caution

**Electrical installation and the connection of the room control modules may only be carried out by qualified technicians.**

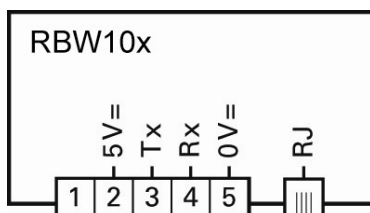
Be sure to comply with local wiring regulations.



Note

Lines for the power supply and Rx/Tx are to be laid together in one shielded cable, cable type: at least 0.8 mm in diameter, with the wires twisted together in pairs.

## Connection



**Installing the technolon® RCNxxx-L room controller on a network**

The network is installed using a network management tool based on LonWorks LNS3 network services.

**Offline installation**

The neuron ID of the technolon® RCNxxx-L room controller can be found on the included pull-off bar code label, which is used for system documentation.

A simple bar code reader can be used for reading in the neuron ID.

**Online installation**

- Online installation on the technolon® RCNxxx-L room controller:  
A node is identified by manually inputting the neuron ID code or by activating the service PIN on the technolon® RCNxxx-L room controller.
- Online installation on the RBW room control module:  
The technolon® RCNxxx-L room controller can also be identified quickly and easily directly on the RBW room control module using a magnet ②.

A magnet ② is guided along the right side of the RBW room control module. Internally, this triggers the service PIN in the RCN room controller. To verify this, a service LED ① in the top part of the housing lights green.



**Operation**

