

Device Description

MF1000/MF1000Z Emergency Actuating Drive

with straight-way / three-way valve RB

Three-way valve RB15..50MF1000Z
 Straight-way valve RB15..50-BKMF1000Z

PN16

Application

The gunmetal three-way valves RB15..50 with emergency actuating drive MF1000Z serve to sensitively mix liquids.

With blind cap BK at gate B, the valves are used as straight-way valves.

The straight-way valves RB15..50-BK with emergency actuating drives MF1000Z serve to sensitively control liquid rates.

The actuating drive MF1000Z for 3-point control 24 V AC has an emergency actuating function that automatically shuts the valve gate A in case of power outage (straight-way A → AB shut when there is no current).

The valves with emergency actuating drives MF1000 are available as special types.

The emergency actuating drive MF1000 opens the valve gate A in case of power outage (straight-way A → AB open when there is no current).

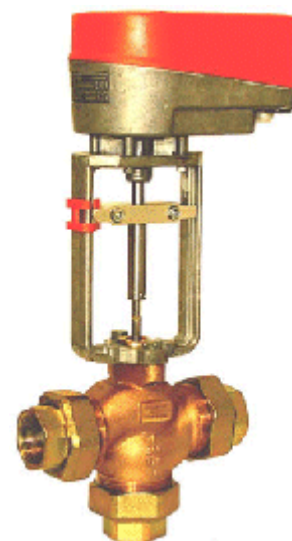


Fig. RB32MF1000Z

Note

The emergency actuating drives in constructional unit with the valve series RB15..50(-BK) do not have a DIN mark of conformity.

Types

Gunmetal three-way valve RB15..50 with emergency actuating drive MF1000Z for water up to 120°C, 16 bar

	DN	PN	kvs	Δp	Floating time	Weight	Emergency actuating function
RB15/0,63MF1000Z	15	16	0.63	16.0 bar	150 s	3.6 kg	Gate A: Shut
RB15/1,0MF1000Z	15	16	1.00	16.0 bar	150 s	3.6 kg	Gate A: Shut
RB15/1,6MF1000Z	15	16	1.60	16.0 bar	150 s	3.6 kg	Gate A: Shut
RB15/2,5MF1000Z	15	16	2.50	16.0 bar	150 s	3.6 kg	Gate A: Shut
RB15MF1000Z	15	16	4.00	16.0 bar	150 s	3.6 kg	Gate A: Shut
RB20MF1000Z	20	16	6.30	16.0 bar	150 s	3.8 kg	Gate A: Shut
RB25MF1000Z	25	16	10.00	15.0 bar	150 s	4.4 kg	Gate A: Shut
RB32MF1000Z	32	16	16.00	9.5 bar	150 s	5.2 kg	Gate A: Shut
RB40MF1000Z	40	16	25.00	6.0 bar	150 s	5.9 kg	Gate A: Shut
RB50MF1000Z	50	16	40.00	3.5 bar	150 s	7.4 kg	Gate A: Shut

Contents subject to change

Issue date: 04.12.2004

Kieback & Peter GmbH & Co KG

Tempelhofer Weg 50, D-12347 Berlin
 Telephone +49 (0) 30 / 600 95-0
 Telefax +49 (0) 30 / 600 95 164
 E-Mail: info@kieback-peter.de
 http://www.kieback-peter.de

kieback & peter
 Technology for building automation

MF1000/MF1000Z Emergency Actuating Drive

Device Description

with straight-way / three-way valve RB

PN16

Three-way valve RB15..50MF1000Z
Straight-way valve RB15..50-BKMF1000Z

Types Gunmetal straight-way valve RB15..50-BK with emergency actuating drive MF1000Z for water up to 120°C, 16 bar

	DN	PN	kvs	Δp	Floating time	Weight	Emergency actuating function
RB15/0,63BKMF1000Z	15	16	0.63	16.0 bar	150 s	3.6 kg	Gate A: Shut
RB15/1,0BKMF1000Z	15	16	1.00	16.0 bar	150 s	3.6 kg	Gate A: Shut
RB15/1,6BKMF1000Z	15	16	1.60	16.0 bar	150 s	3.6 kg	Gate A: Shut
RB15/2,5BKMF1000Z	15	16	2.50	16.0 bar	150 s	3.6 kg	Gate A: Shut
RB15BKMF1000Z	15	16	4.00	16.0 bar	150 s	3.6 kg	Gate A: Shut
RB20BKMF1000Z	20	16	6.30	16.0 bar	150 s	3.8 kg	Gate A: Shut
RB25BKMF1000Z	25	16	10.00	15.0 bar	150 s	4.3 kg	Gate A: Shut
RB32BKMF1000Z	32	16	16.00	9.5 bar	150 s	5.1 kg	Gate A: Shut
RB40BKMF1000Z	40	16	25.00	6.0 bar	150 s	5.8 kg	Gate A: Shut
RB50BKMF1000Z	50	16	40.00	3.5 bar	150 s	7.2 kg	Gate A: Shut

Technical data – Valves RB..(BK)

Nominal width	DN15 to DN50 (G1/2 to G2)	
Pressure stage	PN 16	
Connection	External thread DIN EN 10242 with internally threaded connectors	
Characteristic curve	RB..	A → AB = equal percentage, B → AB = linear
	RB..-BK	A → AB = equal percentage
Actuating stroke	14 mm	
Leakage rate	acc. to EN 1349, leakage class VI	
Medium temperature	0..130°C (max. 120°C at 16 bar)	
Housing	Gunmetal, Rg5	2.1096
Cone	Brass, Ms	2.0401 with elastomer obturator
Valve spindle	CrNi-steel	1.4571
Spindle sealing	O-rings	EPDM, maintenance free
Pipe connections	Internally threaded connectors and union nuts GTW (malleable cast iron, yellow chromized)	

The technical data with the electric installation of the emergency actuating drive MF1000Z can be found on pages 4 to 6

Device Description

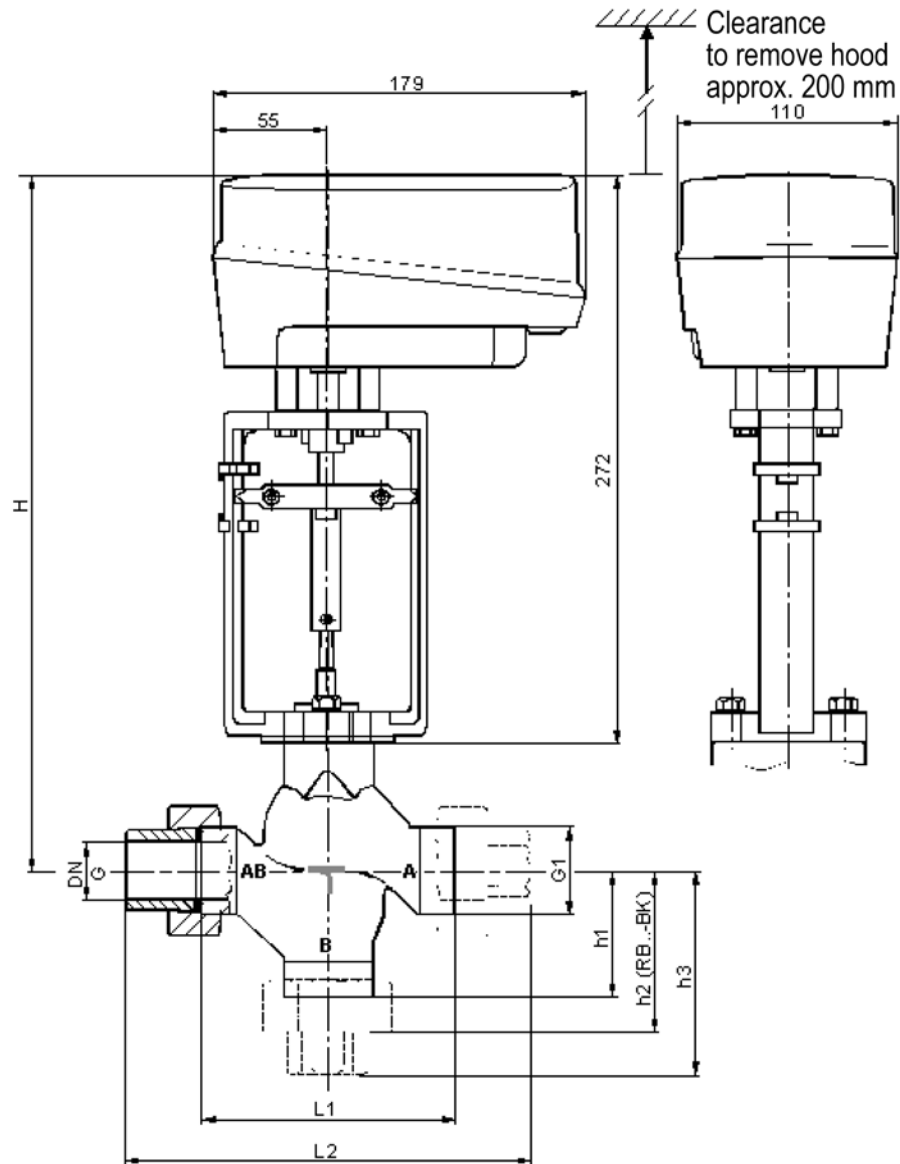
MF1000/MF1000Z Emergency Actuating Drive

with straight-way / three-way valve RB

Three-way valve RB15..50MF1000Z
Straight-way valve RB15..50-BKMF1000Z

PN16

Dimensions



DN	G	G1	L1	L2	h1	h2	h3	H
15	1/2	1 1/8	80	130	55	66	80	314
20	3/4	1 1/4	90	142	55	66	81	319
25	1	1 1/2	110	168	55	66	84	324
32	1 1/4	2	120	186	55	68	88	327
40	1 1/2	2 1/4	130	200	60	73	95	330
50	2	2 3/4	150	226	65	78	103	330

Pipe threads G and G1 in inches, other dimensions L1 to H in mm

MF1000/MF1000Z Emergency Actuating Drive
with straight-way / three-way valve RB

Device Description

