

Device description

HRP21/HRP24 HeatingRegulationProcessor

HeatingRegulationProcessor HRP21

HeatingRegulationProcessor HRP24

Basic function

HeatingRegulationProcessor HRP21 with continuous output 0-10V for servo device.

HeatingRegulationProcessor HRP24 with continuous output 0-10V for servo device, without operator control level.

Designed for the regulation, control, optimization and monitoring of heating plants with boiler regulation or remote heating plants.

Bus and modem can be connected.

1 Heating loop and precontrol is possible.

One-knob operation and a graphic, illuminated display for the input and query of all DDC data (HRP24 without operator control level).

Extension of the Basic function by means of HRP software menus such as Optimization, Room Correction, Limitation, Stand by, Boiler Regulation, Domestic-hot-water Heater Tank Control, Circulation Pump, Operating Hours Counter, Heat Amounts Counter, Pump Blocking Protection.

In setting the plant macros, the HeatingRegulationProcessor HRP is completely configured, the accompanying HRP software menus are set, the parameters are configured, and the input and output signals are assigned.

The user is guided through the dialog with a plaintext menu system.

Input and query of the data in 4 priority levels can be accessed with code keys.

Week program and annual program. Trend value acquisition and display of important plant values.

8 HeatingRegulationProcessors HRPs are administered by means of the HRP LRP Bus System. Distance of 1000 m.

Communication of all bus participants among each other with queries or modifying all parameters that are an integrated part of the HeatingRegulationProcessor HRP.

A direct connection to the BMS with the RS232 interface. For plants spatially far apart from each other.

Data transmission for BMS per modem with the public telephone network.

Important messages can also be sent by modem to a cellular telephone (GSM SMS Service).

Unlimited data backup in case of power failure.

- 6 analog inputs for active measuring element KP10
- 1 analog input 0..10 V
- 5 binary inputs
- 4 binary outputs 230 V or zero-voltage, 6(3) A for pumps, boilers or precontrols
- 1 analog output 0..10 V
- Plastic housing fire-resistant, for control panel mounting
- Mains 230 V AC \pm 10 % 50..60 Hz



HRP21/HRP24 HeatingRegulationProcessor

Device description

Technical data

Inputs and outputs	5 binary inputs BE 4 binary outputs BA 1 analog output AA for servo device 6 analog inputs AE 1 analog input AE analog/digital conversion	Zero-voltage contact two of these are impulse inputs 20 Hz Relay contacts zero-voltage max. 6 (3) A; 250 V AC 0..10 V; 5 mA; 24 V AC KP10, active measuring element 0..10 V continuous (remote setpoint setting) 10 Bit
Interfaces	serial RS232	Building Management System BMS, Modem
Bus connection	CAN Bus	maximum 8 HRP / LRP to one bus system
Nominal voltage	230 V AC ± 10 %; 50..60 Hz; 12 VA; 52 mA	
Nominal power	HRP21: 12 VA, current requirements 78 mA at 230 V AC HRP24: 12 VA, current requirements 74 mA at 230 V AC	
Displays	Graphics display with backlighting HRP21, LED for error messages and manual operation	
diagnosis jack	Diagnosis/data backup	
Operation HRP21	One-knob operation rotating knob, selection button [SET], backstep button [ESC]	
fuse	Fuse S1 6A (T) for external switching Fuse S2 630mA (T) for electronics Accessible from the rear	
Processor	80C592	
Memory	32 kByte RAM; 240 kByte Flash PROM	
Operating system	Multitasking	
Mains failure data backup	Lithium battery, 5 years r	
Degree of electrical protection	IP20	
Environmental temperature	0..45°C	
Environmental humidity	In service: 20 – 80 % rF, non-condensing Out of service 5 – 90 % rF, non-condensing	
Housing	Plastic housing fire-resistant	
Measurements	HRP21: (W/H/D), 110.0 mm x 198.5 mm x 85.0 mm HRP24 (W/H/D), 110.0 mm x 198.5 mm x 74.0 mm (with wall console W/HRP 15.0mm deeper)	
Front panel cutout	200.4 mm x 112.0 mm	
Weight	1.2 kg	
Identifier	CE	

Device description

HRP21/HRP24 HeatingRegulationProcessor

Temperature ranges:

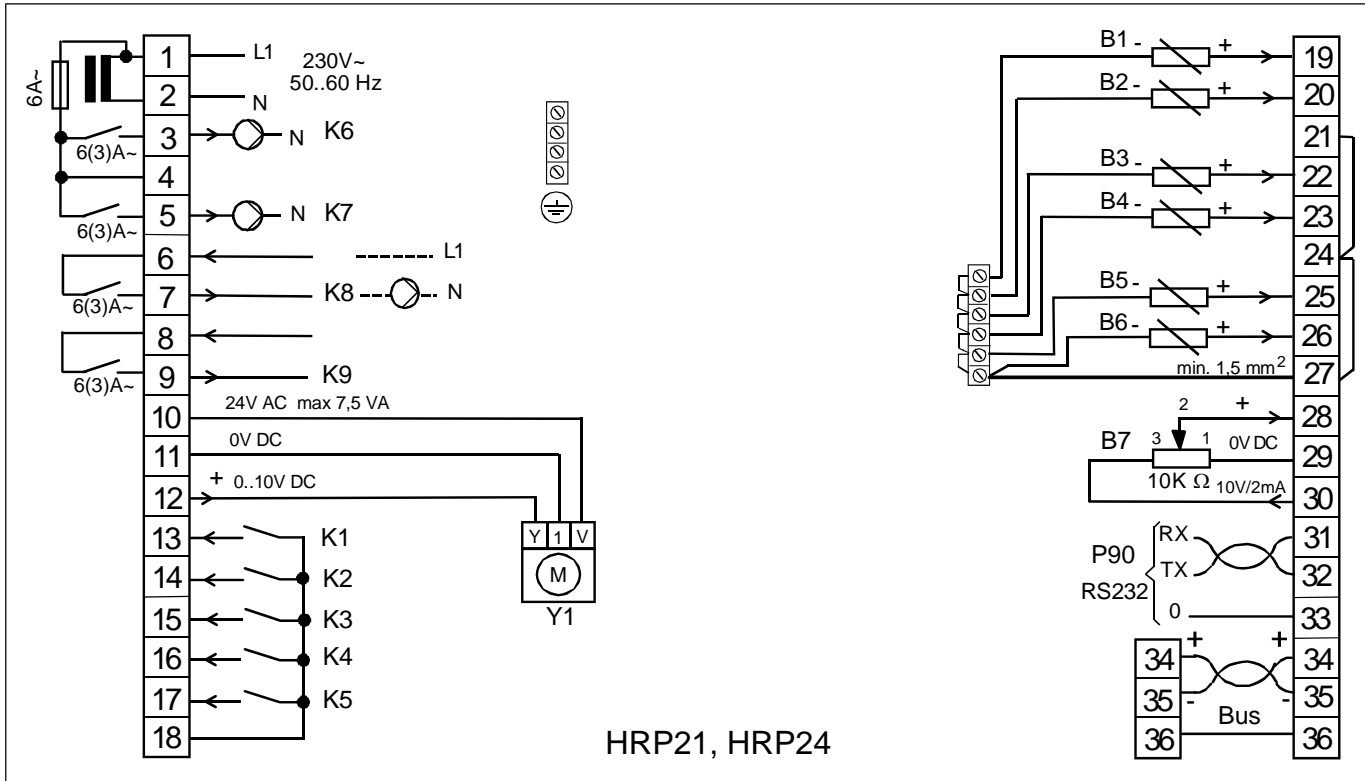
Please note the sensor ranges of the HRP when dealing with the **trend curves and the outside temperature assignment**.

For temperatures outside these limits, the value is represented as " " (invalid)!

Par.No.(P90) Techn. address	Par. Name	Lower limit	Upper limit	Base value	Units
b1	outside	-50.0	70.0	curr. val. (KP10)	°C
b2	room	0.0	120.0	curr. val. (KP10)	°C
b3	feed	0.0	120.0	curr. val. (KP10)	°C
b4	sensor 4	0.0	120.0	curr. val. (KP10)	°C
b5	sensor 5	0.0	120.0	curr. val. (KP10)	°C
b6	sensor 6	0.0	120.0	curr. val. (KP10)	°C
b7	sensor 7	0.0	100.0	curr. val. (0 10V)	% *1)

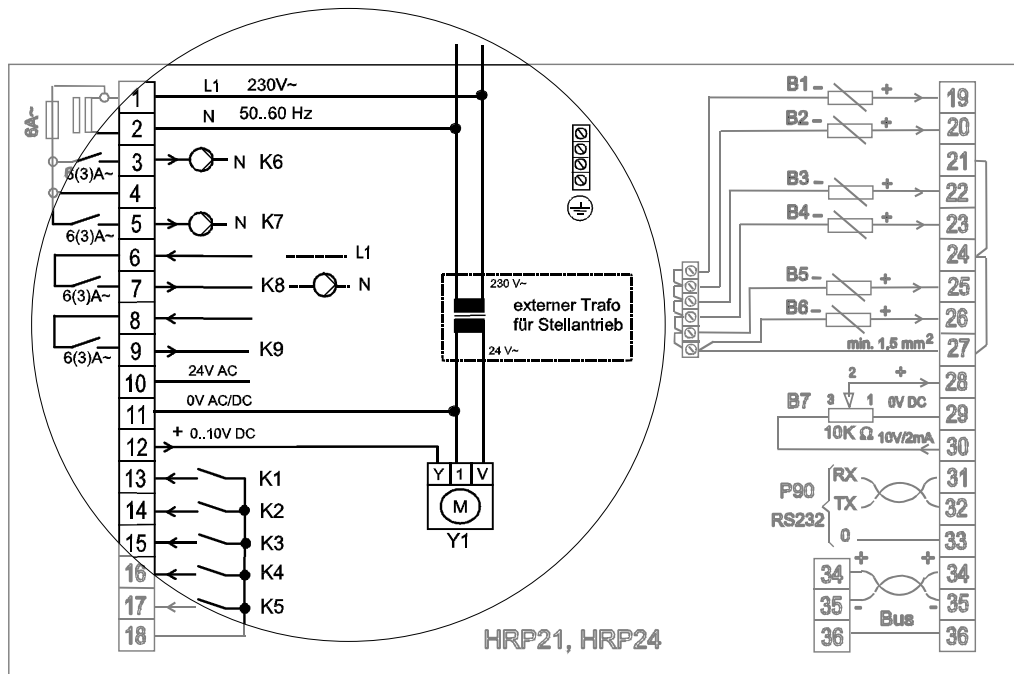
***1) b7 are scalable between -1000.0 and +1000.0.**

Wiring diagram



Notice:

If the supply voltage 24 V~ for the servodrives is made available with an **external transformer**, then **no connection** is allowed to the internal 24 V~ of the HRP21 or HRP24!



Device description

HRP21/HRP24 HeatingRegulationProcessor

Related software menus

Menu	No.	How often occurs	Comments
Basic menu (heating)		1x	Weather-oriented feed temperature regulation, switchable to fixed value regulation
Remote control	12	1x	Effects basic menu
Operating hours	18	2x	
Impulse counting	19	2x	Effective with the contact inputs K4 and K5 (including power calculations)
Min/Max/Middle	20	2x	
Scaling	25	1x	Scaling possibility for the input 0 10V (B7). Scaling is carried out by addressing the sensor
Usage time	26	3x	Per usage time, four switching times are available, furthermore, four special usage times which effect the first usage time
Vacation periods	27	1x	
Modem	28	1x	
SMS	29	1x	
Minitel	30	1x	
J-Bus	31	1x	
Room correction	41	1x	
Stand by	42	1x	
Optimization	43	1x	
Boiler regulation	46	1x	For potable water heating
Limitation	48	2x	
Chimneysweep	49	1x	Effect in connection with the software menu boiler regulation
Legionnaire	50	1x	Effect in connection with the software menu boiler regulating
Remote control	51	1x	
Plant messages	52	1x	
Double pumps	53	1x	Effect in connection with basic menu heating
Boiler regulation	61	1x	
Precontrol	62	1x	
Circulation	63	1x	
Three-point operation	64	2x	

