

Device description

FBR1S3, FBR2S3 Field Bus Regulator

Application

The Field Bus Regulators FBR1 and FBR2 are installed within the DDC3000 system for single-room control.
The field bus regulators have an integrated temperature sensor to record the room temperature. The thermodrives are activated by with their pulse-controlled 2-point outputs for room temperature control.
The data communication to the DDC3000 Central Control Unit DDC3002, DDC3200, DDC3300 or DDC3003 occurs over the field bus.

Type

FBR1S3 Field bus regulator with pulse-controlled 2-point output
FBR2S3 Field bus regulator with setpoint setter and pulse-controlled 2-point output

Technical data

mains 12 V DC $\pm 20\%$, 110 mA
measuring system integrated temperature sensor $-25..+50^{\circ}\text{C}$
input zero-voltage contact
for program control day/night operation, utilization time time extension or window contact
output 1 Triac output (pulse-controlled), 24 V AC, 1,25 A
for the connection of thermodrives
(fuse T 1,25 A/250 V)
bus connection field bus, max. 2000 m
address-switch addressing 01..63 by 2 rotary switches in the housing
setter only FBR2S3 setpoint correction $-3.5..+3.5\text{K}$
housing plastic housing, color RAL 9010 (pure white)
degree of enclosure protection IP30
ambient temperature $0..45^{\circ}\text{C}$
mounting wall mounted, see reverse side

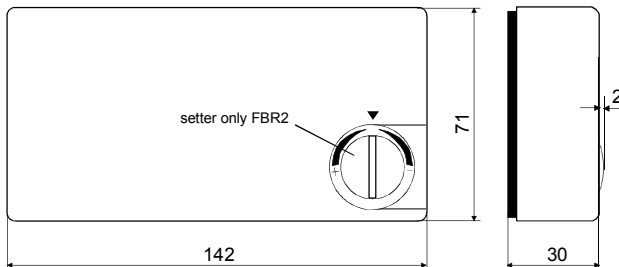


FBR1S3



FBR2S3

Measurements



Installation



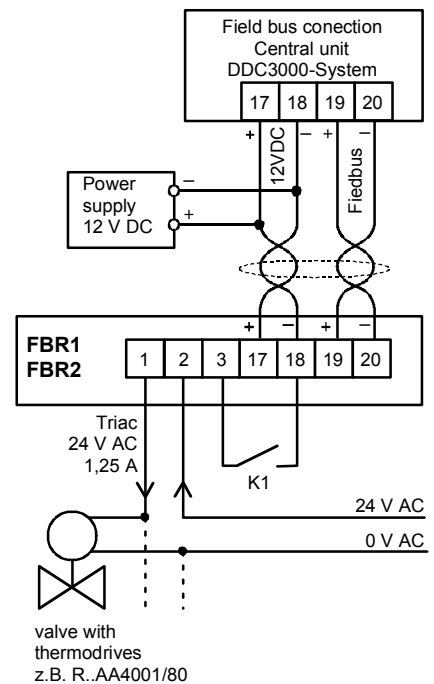
Warning

The electrical installation with the device connection may only be carried out by qualified specialists.

The VDE regulations as well as all the local ordinances must be observed.

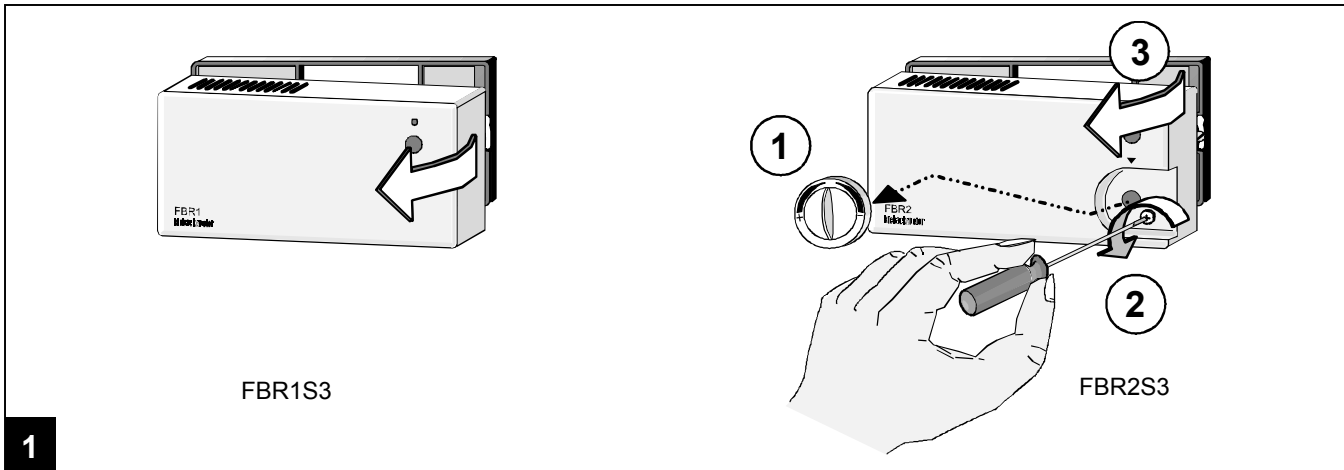
- Power supply lines and field bus are to be laid in a common insulated cable, cable type at least JY(St)Y 2x2x0.8 Lg.
- Power supply lines must be in twisted pairs.
- Field bus lines must be in twisted pairs.
- At the end of the field bus (furthest point from the Central Control Unit, max. 2000 m), both connection lines from the field bus must be provided with a terminating resistor of approx. 180 Ω (terminating resistor delivered with the Central Control Unit as accessory pack).

Connection

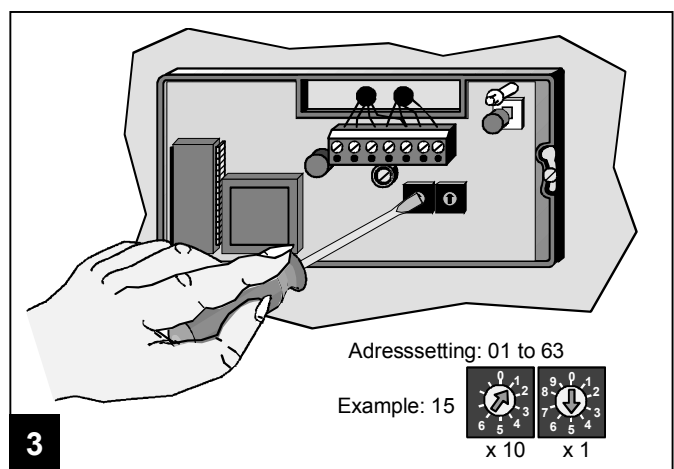
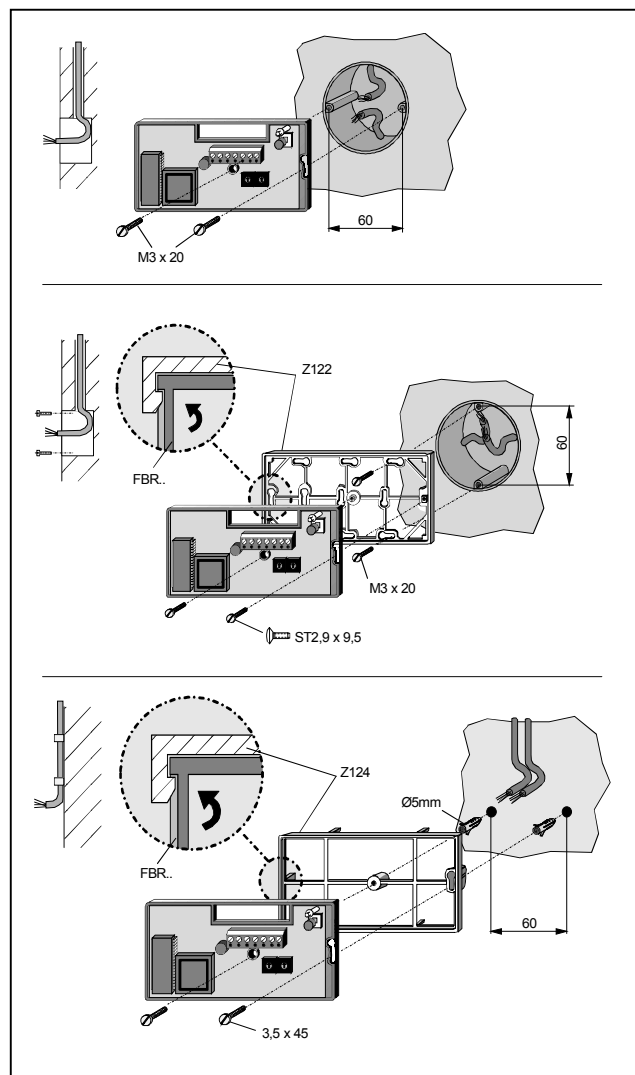


Date 01.07.2000

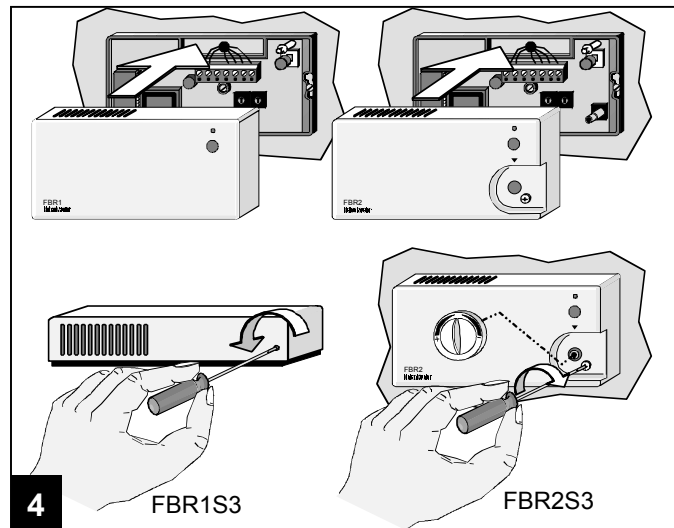
Mounting



1



3



4



Warning

- The device connection may only be carried out by qualified expert personnel!
- Turn on operating voltage only after the completion of the device setting by the commissioning technician!

2