

Device description

FBR1S2, FBR2S2 Field Bus Regulator

Application

The Field Bus Regulators FBR1 and FBR2 are installed within the DDC3000 system for single-room control. The field bus regulators have an integrated temperature sensor to record the room temperature. The thermodrives are activated by with their pulse-controlled 2-point outputs for room temperature control. The data communication to the DDC3000 Central.

Type

FBR1S1 Field bus regulator with pulse-controlled 2-point output
Push-button with LED for utilization time extension 0..240 minutes.

FBR2S1 Field bus regulator with setpoint setter and pulse-controlled 2-point output
Push-button with LED for utilization time extension 0..240 minutes.



FBR1S2

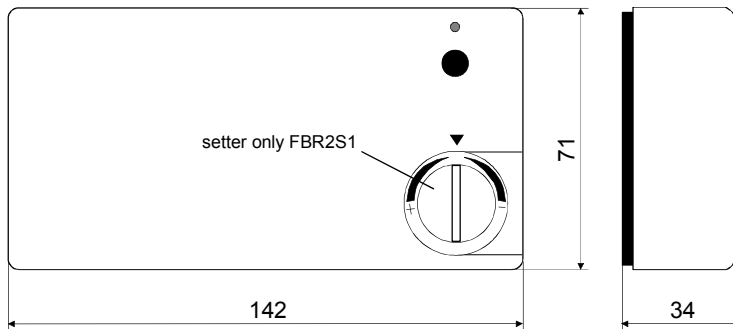


FBR2S2

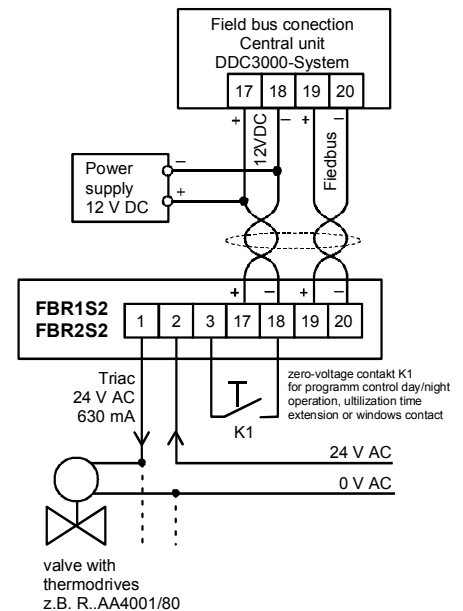
Technical data

Mains	12 V DC $\pm 20\%$, 110 mA
measuring system	integrated temperature sensor $-25..+50^{\circ}\text{C}$
input	zero-voltage contact for program control day/night operation, utilization time time extension or window contact
output	1 Triac output (pulse-controlled), 24 V AC, 630 mA for the connection of thermodrives (fuse T 630 mA/250 V)
bus connection	field bus, max. 2000 m
address-switch	addressing 01..63 by 2 rotary switches in the housing
push-button with LED	for the extension of the utilization time 0..240 minutes according to parameterization
setter	only FBR2S1 setpoint correction $-3.5..+3.5\text{K}$
housing	plastic housing, color RAL 9010 (pure white)
degree of enclosure protection	IP30
ambient temperature	$0..45^{\circ}\text{C}$
mounting	wall mounted, see reverse side

Measurements



Connection



Installation



Warning

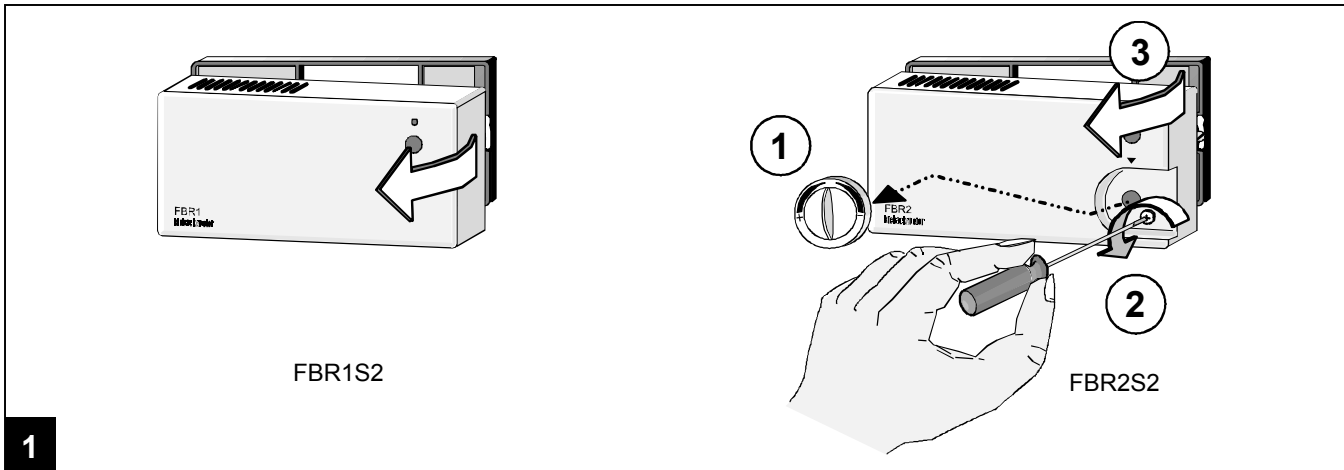
The electrical installation with the device connection may only be carried out by qualified specialists.

The VDE regulations as well as all the local ordinances must be observed.

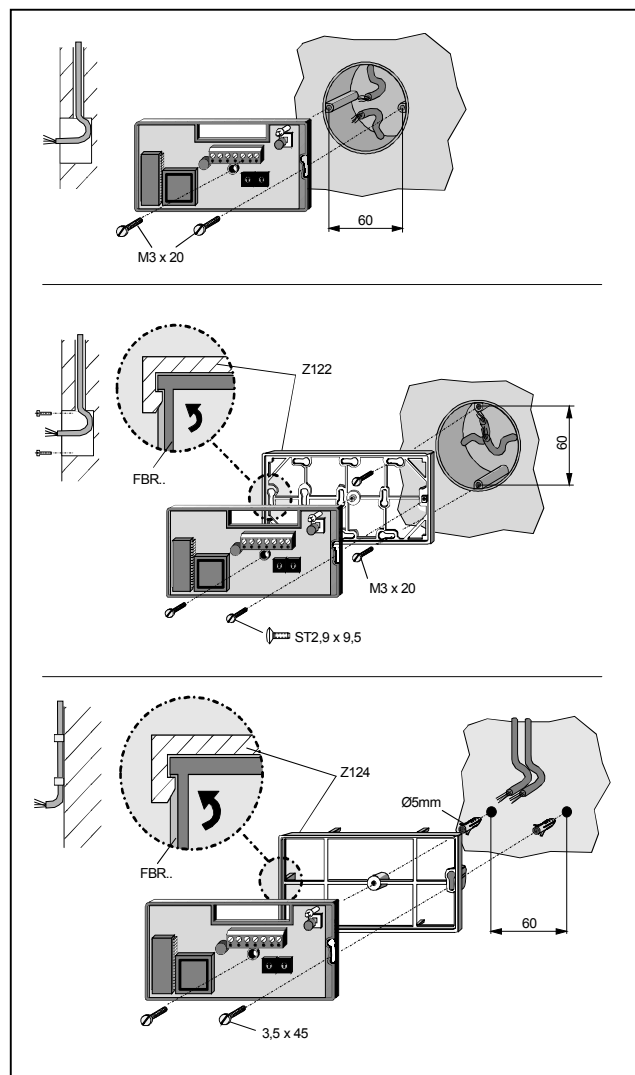
- Power supply lines and field bus are to be laid in a common insulated cable, cable type at least JY(St)Y 2x2x0.8 Lg.
- Power supply lines must be in twisted pairs.
- Field bus lines must be in twisted pairs.
- At the end of the field bus (furthest point from the Central Control Unit, max. 2000 m), both connection lines from the field bus must be provided with a terminating resistor of approx. 180 Ω (terminating resistor delivered with the Central Control Unit as accessory pack).

Date 04.02.2000


Mounting



1

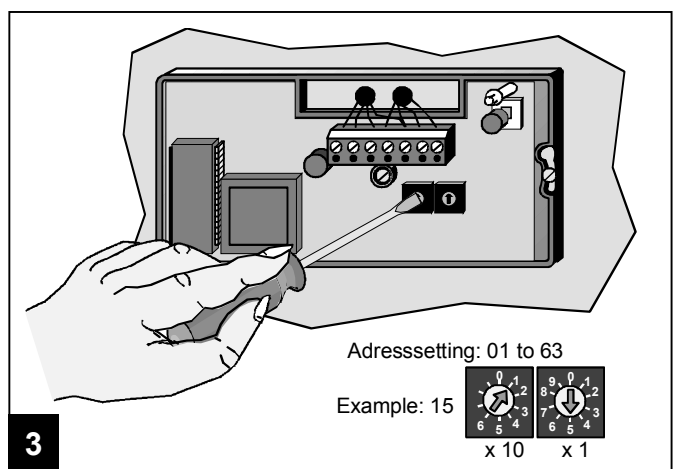


2

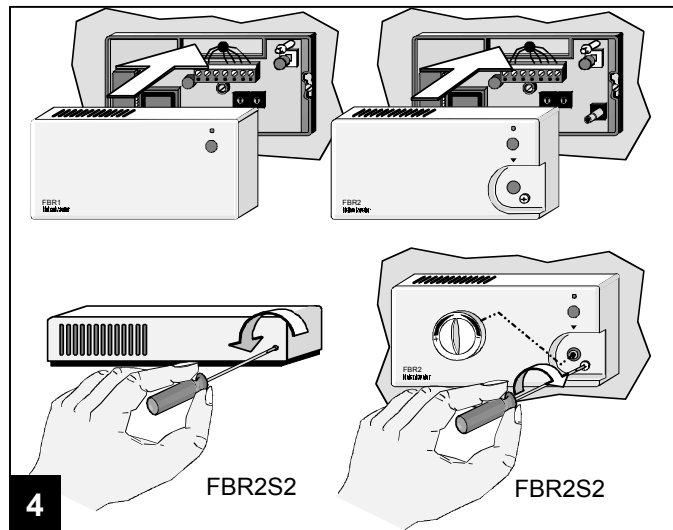


Warning

- The device connection may only be carried out by qualified expert personnel!
- Turn on operating voltage only after the completion of the device setting by the commissioning technician!



3



4