

## Device description

## FBR1, FBR2 Field Bus Regulator

### Application

The Field Bus Regulators FBR1 and FBR2 are installed within the DDC3000 system for single-room control. The field bus regulators have an integrated temperature sensor to record the room temperature. The thermodrives are activated by with their pulse-controlled 2-point outputs for room temperature control. The data communication to the DDC3000 Central Control Unit DDC3002, DDC3200, DDC3300 or DDC3003 occurs over the field bus.

### Type

FBR1 Field bus regulator with pulse-controlled 2-point output  
 FBR2 Field bus regulator with setpoint setter and pulse-controlled 2-point output

### Technical data

mains 12 V DC  $\pm 20\%$ , 110 mA  
 measuring system integrated temperature sensor  $-25..+50^{\circ}\text{C}$   
 input zero-voltage contact  
 for program control day/night operation, utilization time time extension or window contact  
 output 1 Triac output (pulse-controlled), 24 V AC, 630 mA  
 for the connection of thermodrives  
 (fuse T 630 mA/250 V)  
 bus connection field bus, max. 2000 m  
 address-switch addressing 01..63 by 2 rotary switches in the housing  
 setter only FBR2 setpoint correction  $-3.5..+3.5\text{K}$   
 housing plastic housing, color RAL 9010 (pure white)  
 degree of enclosure protection IP30  
 ambient temperature  $0..45^{\circ}\text{C}$   
 mounting wall mounted, see reverse side

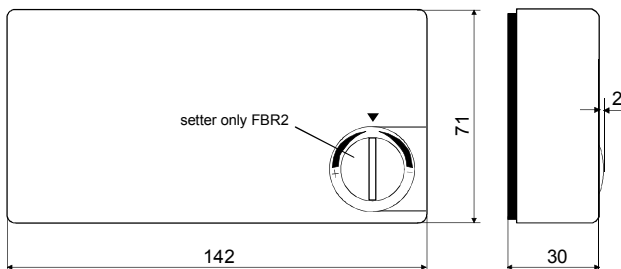


FBR1



FBR2

### Measurements



### Installation



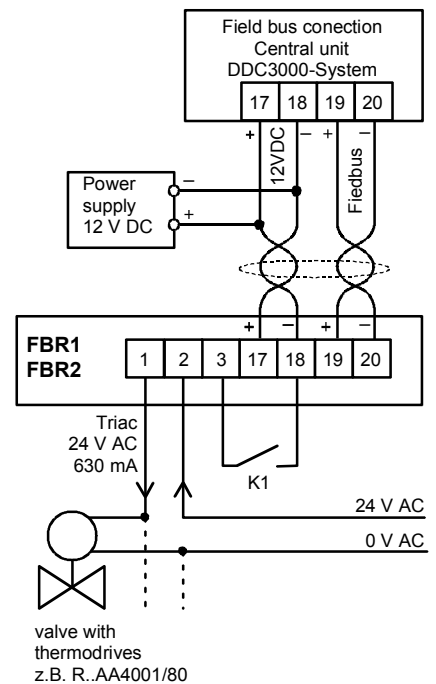
Warning

**The electrical installation with the device connection may only be carried out by qualified specialists.**

The VDE regulations as well as all the local ordinances must be observed.

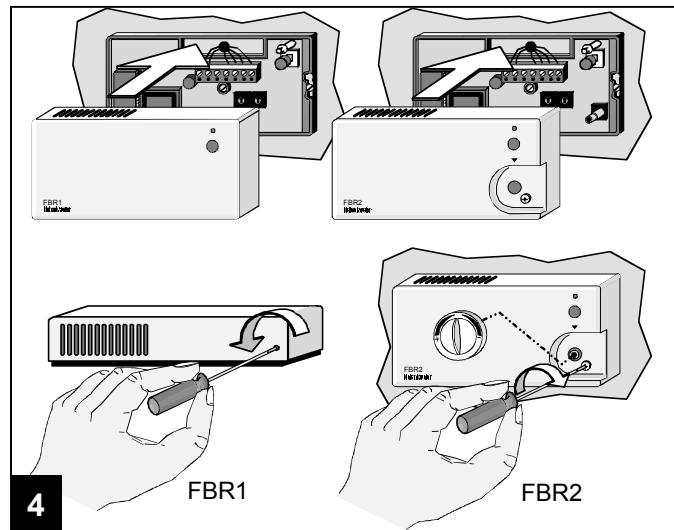
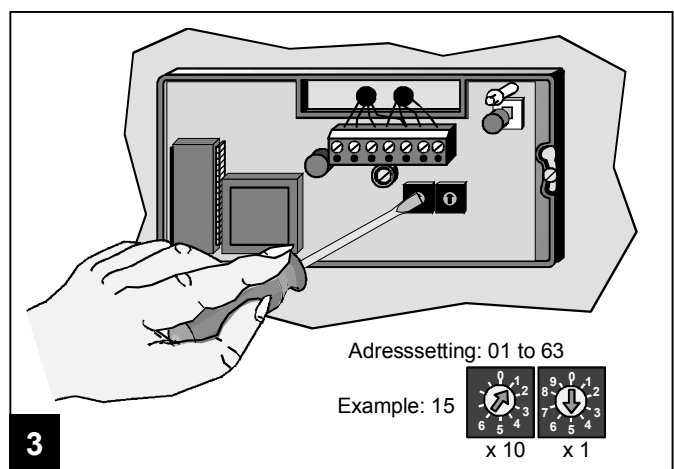
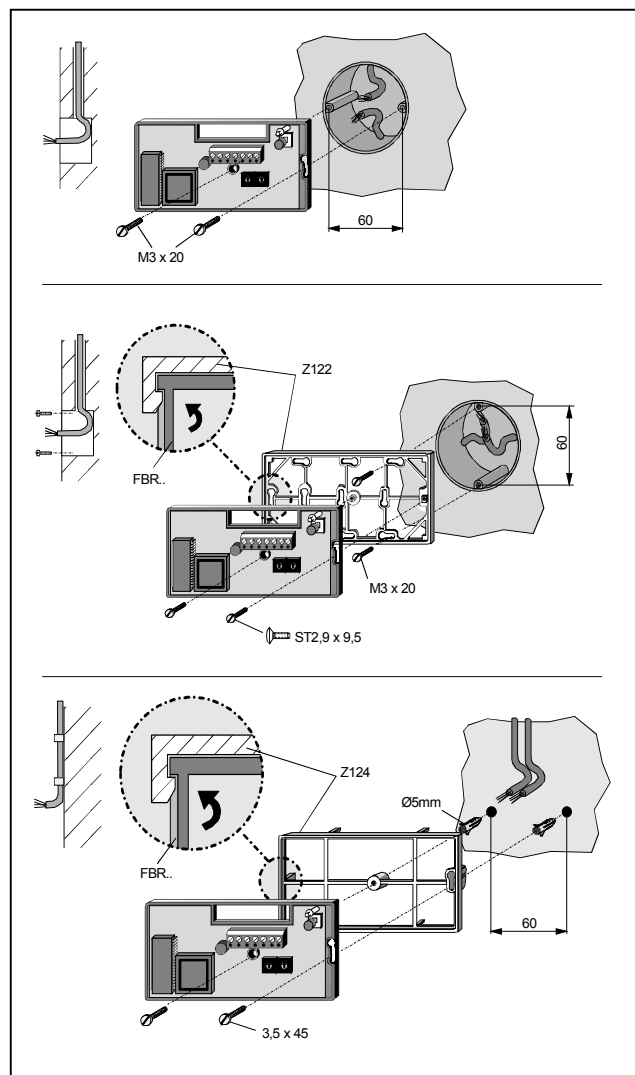
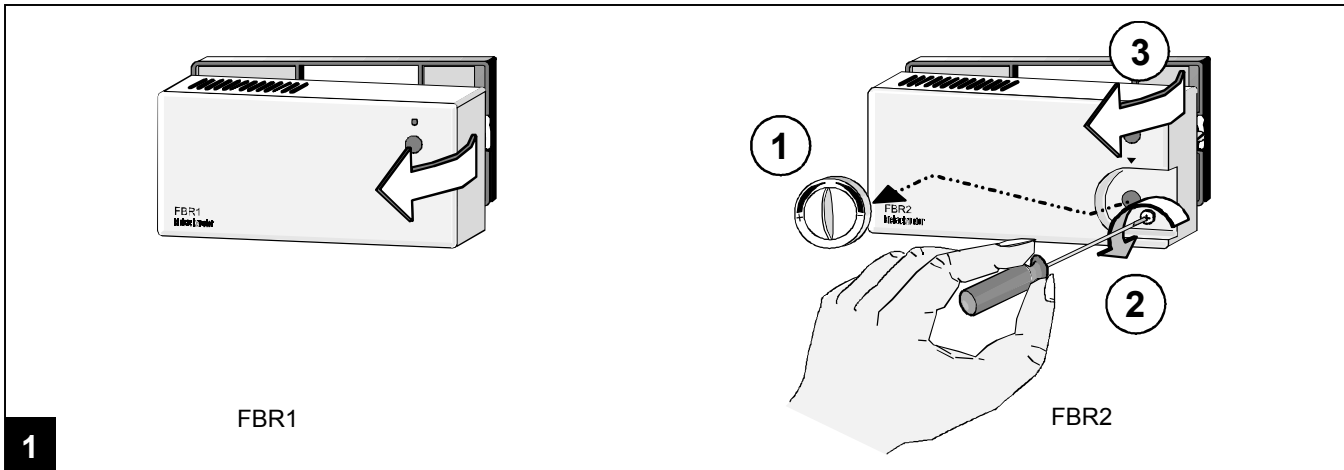
- Power supply lines and field bus are to be laid in a common insulated cable, cable type at least JY(St)Y 2x2x0.8 Lg.
- Power supply lines must be in twisted pairs.
- Field bus lines must be in twisted pairs.
- At the end of the field bus (furthest point from the Central Control Unit, max. 2000 m), both connection lines from the field bus must be provided with a terminating resistor of approx. 180  $\Omega$  (terminating resistor delivered with the Central Control Unit as accessory pack).

### Connection



Date 30.05.2000

Mounting



Warning

- The device connection may only be carried out by qualified expert personnel!
- Turn on operating voltage only after the completion of the device setting by the commissioning technician!

**2**