

## FBR100-L technolon® Single Room Control

Bus-capable Single Room Control for fan-coil units, with heating and cooling registers.



<b>Contents</b>	Notes on the device description	Page	2
	Safety Instructions	Page	2
	Qualified specialists	Page	2
	Application	Page	3
	Type	Page	3
	Technical data	Page	3
	Assembly	Page	4
	Device connection	Page	5
	LonMark Profile 8500_20	Page	6

Contents subject to change

Issue date: 11/17/2004

### Kieback & Peter GmbH & Co KG

Tempelhofer Weg 50, D-12347 Berlin  
 Telephone +49 (0) 30 / 600 95-0  
 Telefax +49 (0) 30 / 600 95 164  
 E-Mail: [info@kieback-peter.de](mailto:info@kieback-peter.de)  
<http://www.kieback-peter.de>

**kieback&peter**  
 Technology for building automation

### Notes on the device description

The description contains instructions on using and assembling the FBR100-L technolon® Single Room Control. In case of questions which cannot be clarified with this device description, please refer to the supplier or manufacturer for further information.

When utilizing the devices in other countries, the builder or operator of the plant is responsible for the observation of the respective national regulations.

The operating staff shall be trained according to the descriptions of the technical data sheet.

### Safety Instructions

The respective worker's protection rules, regulations for prevention of accidents and VDE rules shall be observed

Any work concerning the installation or initial operation of the modules shall be exclusively carried out by qualified specialists, see section "Qualified specialists".

Every person utilizing the devices shall have read and understood the descriptions in the technical data sheet.

Meaning of the symbols in the technical data sheet:



Warning

General warning, strictly observe this notice



Danger

Warning of dangerous electrical voltage



Note

Further notice to observe

**Warning**  
**Note**

means danger of bodily injuries or material damage in case of non-observance.  
indicates an information which is particularly stressed.

### Qualified specialists

Qualified specialists for the purposes set out in this technical data sheet are persons who are familiar with the described devices and possess a qualification for their respective occupation.

These are for instance:

- Authorization to connect the devices according to the VDE rules and local Electricity Board regulations, as well as the authorization to switch the devices on and off taking the in-house regulations into account.
- Knowledge of the regulations for prevention of accidents.
- Knowledge of the utilization of the devices within the plant system.
- etc.

## Device Description

## FBR100-L technolon® Single Room Control

### Application

The FBR100-L is a bus-capable Single Room Control for fan-coil units with heating and cooling registers.

The communication is conducted on the LON-Talk-Protocol.

The application is based on the LONMARK profile 8500\_20 (Space Comfort Controller).

The FBR100-L can also be used as a stand-alone working device.

Room service devices TQF can be connected on a QBS interface.

The configuration is conducted on a standardized PlugIn.

It can be started from a LonWorks network services LNS-based network management tool (LonMarker).



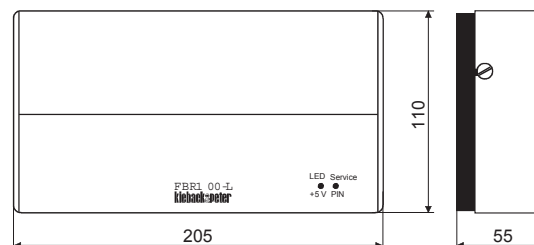
FBR100-L

### Type

FBR100-L Bus-capable Single Room Control for fan-coil units, with heating and cooling registers.

### Technical data

Mains	230 V AC 50-60 Hz with integrated security
Inputs	- Temperature sensors with measuring system KP10 2.73 V at 0°C, TC 10 mV/C - 1 window contact - 1 Change Over or presence detector
Outputs	- 1 ventilator 3-levels 230 V AC, 5 A - 1 thermo-electric heat valve 230 V AV, 1 A - 1 thermo-electric heat valve 230 V AC, 1 A - 1 relay output potential-free 230 V AV, 10 A
Bus connection	- LON FTT10 Application: According to LONMARK standard: LonMark Profile 8500_20
QB interface	4-conductor, for the connection of a room service device TQF, line length max. 200 m
Housing	Plastic housing , hood color RAL 9010 (pure white)
Protection class	IP20
Ambient temperature	0..45°C
Assembly	Wall mounted
Weight	0.5 kg
Dimensions	



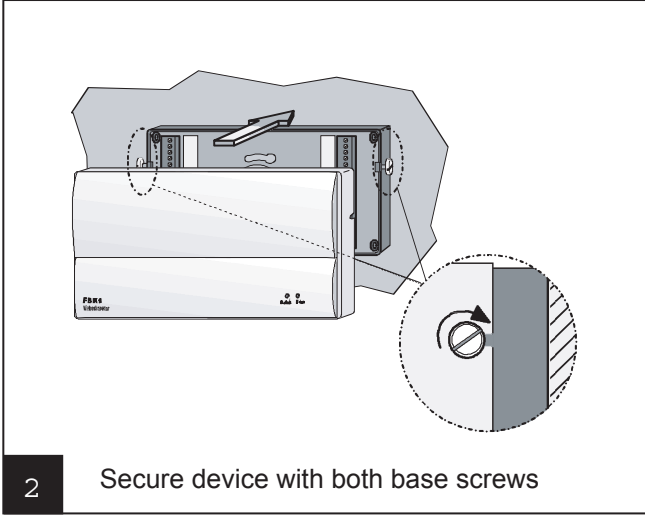
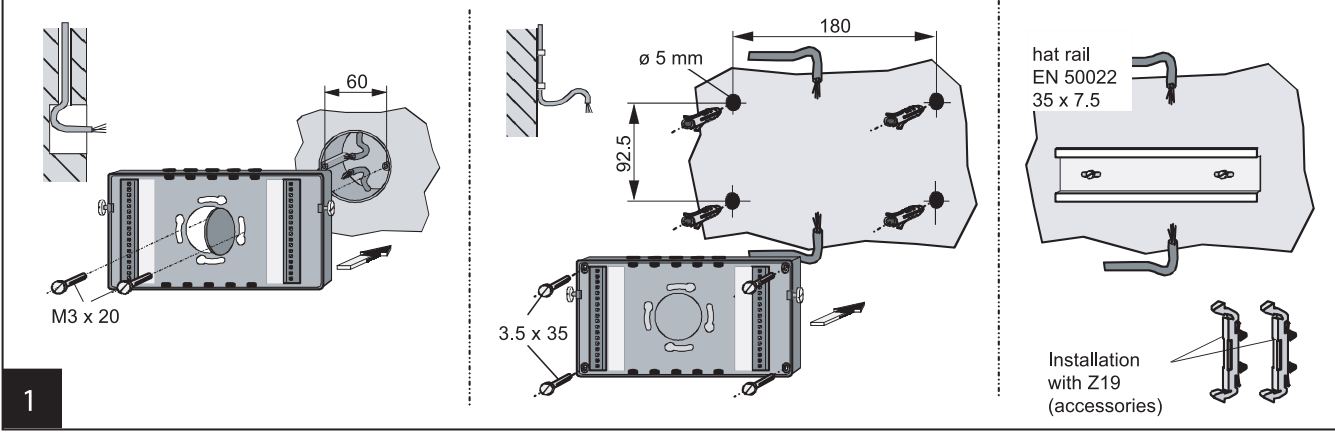
Assembly



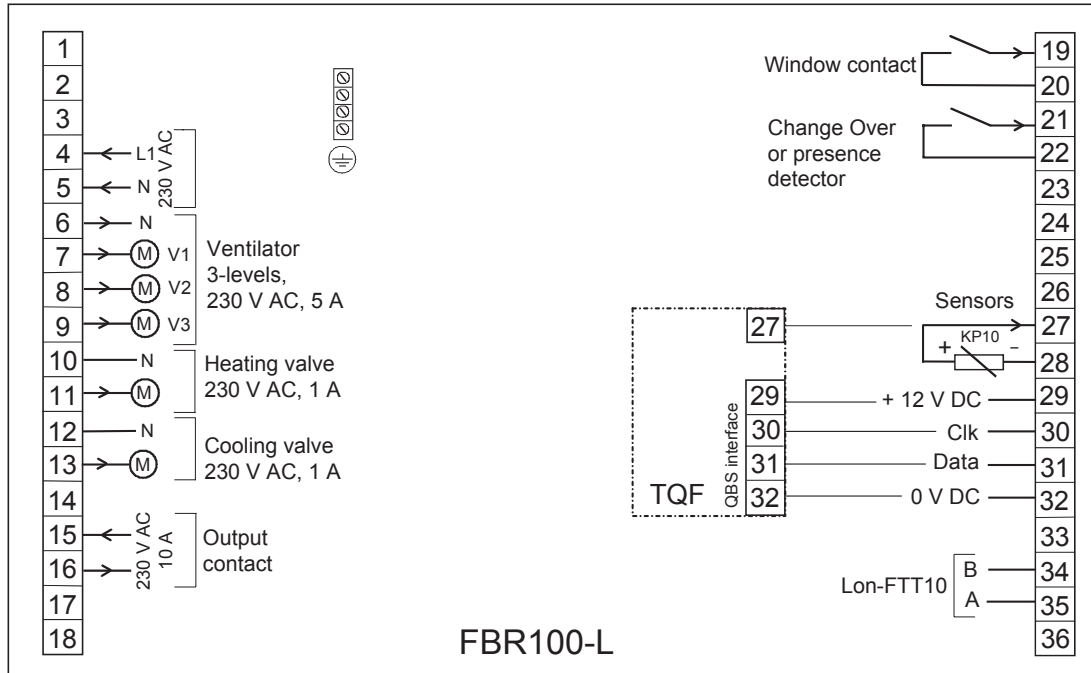
Danger

Initial operation and connection to mains may only be carried out by qualified expert personnel!

Installation types



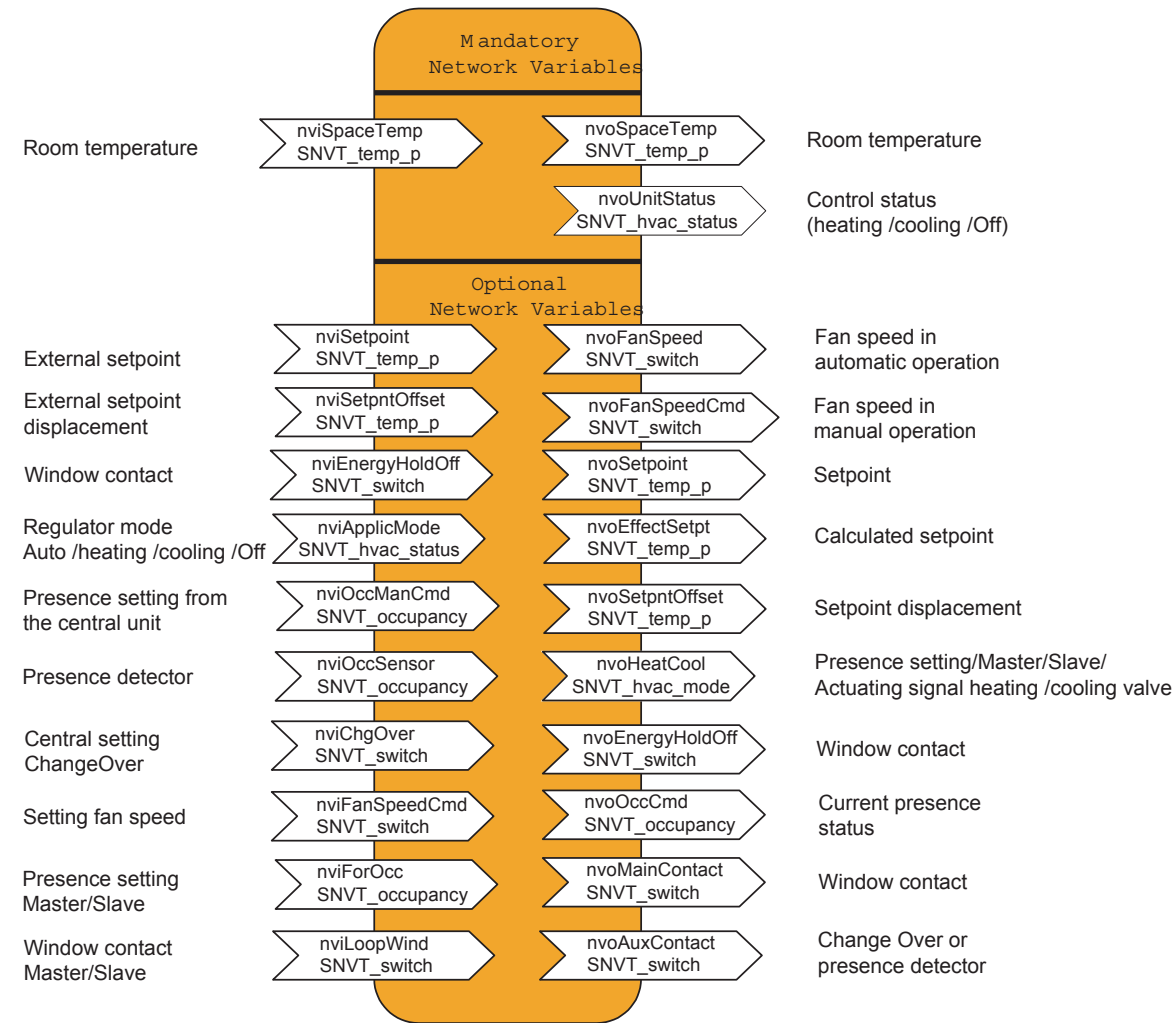
Device connection



**Note** For the assignment of the logical node addresses in the LON network, the service PIN ❶ must be activated with the help of the LNS-based network management tool.



**LonMark Profile 8500\_20**  
(Space Comfort Controller)



**Device Description**

**FBR100-L technolon® Single Room Control**



