

Device description

FBM44W Field Bus Modul

Application

The field bus module FBM44W with four analog outputs are used to control distant devices in technical services systems.

The housing of the FBM44W is protected against dirt and water splashing according to IP54, so that this FieldBusModule can be mounted locally on the wall.

Using the field bus, the data from the DDC3000 Central Control Unit is carried to the FieldBusModule, which in turn drives the connected devices.

Type

FBM44W FieldBusModule mit four analog outputs Y = 0..10 V DC.



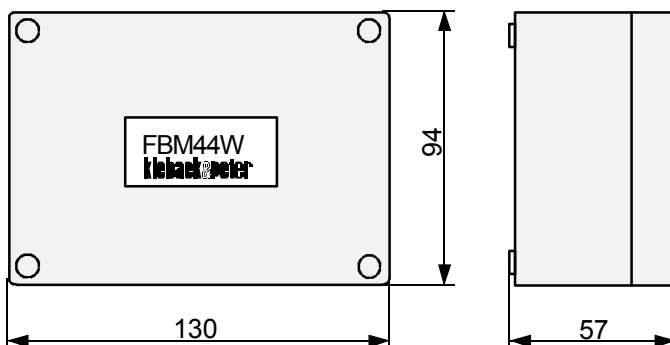
FBM44W

Technical Data

Mains	12 V DC / 90 mA, 1.1 VA
Outputs	Four analog outputs 0..10 V DC, 5mA
Bus connection	Field bus , max. 2000 m
Address switch	Addressing 01..63 with two rotary switches
Display	2 LED LED BUSY green: blinking = Field bus Data transmission LED ERROR red: Field bus Error
Degree of enclosure protection	IP54
Ambient temperature	0..45°C
Accessory pack	4 Pieces Locking screws for housing lid 4 Pieces Screws with dowels for wall mounting

Mounting Wall mounting, see notices on the reverse side

Measurements



Installation



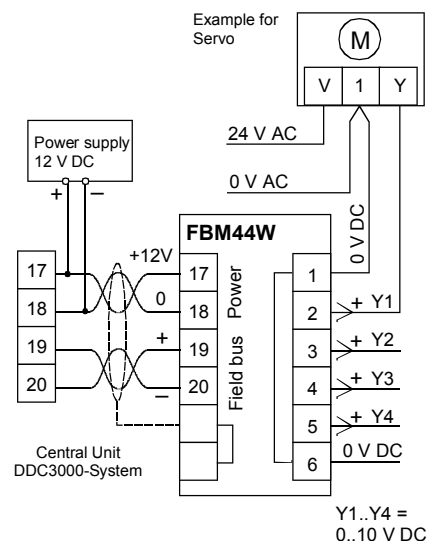
Warning

The electrical installation of the devices connection may only be carried out by qualified expert personnel.

The VDE regulations as well as all the local ordinances must be observed.

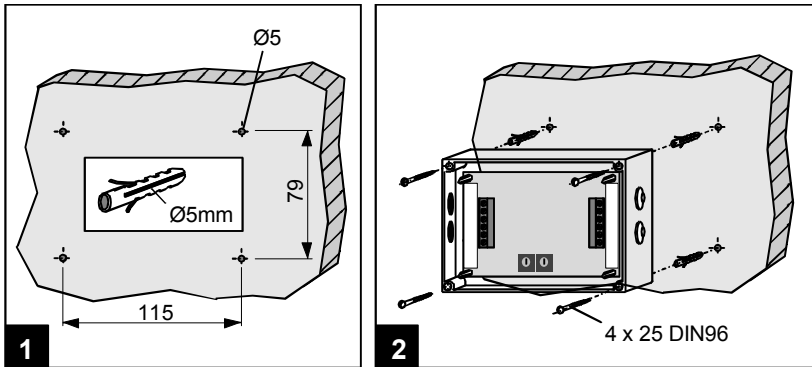
- Lines for the power supply and the field bus should be run together in a shielded cable, cable type is at a minimum: JY(St)Y 2x2x0.8 Lg.
- Lines for power supply must in the form of twisted pairs.
- Lines for field bus must in the form of twisted pairs.
- At the end of the field bus (most distant point from the Central Unit, max. 2000 m) a terminating resistance of ca. 180 Ω must be connected between the lines of the field bus (terminating resistor is a part of the Central Unit accessory kit).

Device connections



Druckdatum 14.05.2001

Mounting notice



- The device connection may only be carried out by expert qualified personnel!
- Only switch on the main power after the device setting have been carried out by commissioning technician!

