

Device description

FBM44 Field Bus Modul

Application

The field bus module FBM44 with its four analog outputs is used to drive distant devices in the technical services systems. The data is transferred on the field bus from the DDC3000 Central Control Unit to the FieldBusModule, which in turn controls the connected device.

Type

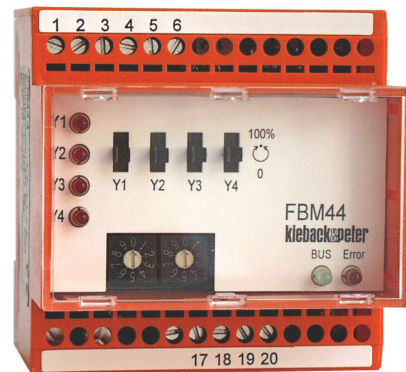
FBM44 FieldBusModule with four analog outputs $Y = 0..10\text{ V DC}$

Technical Data

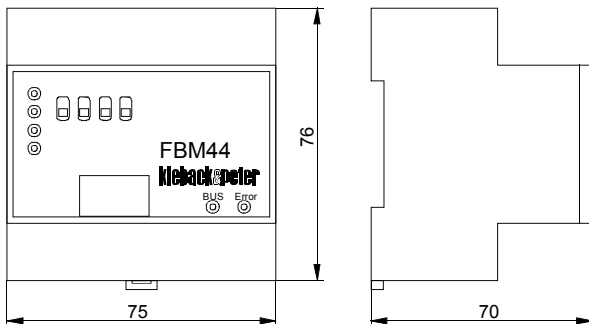
Mains 12 V DC \pm 20% / 90 mA, 1.08 VA
 Outputs Four analog outputs 0..10 V DC, 5mA
 Bus connection Field bus max. 2000 m
 Address switch Addressing 01..63 with 2 rotary switches
 Display 4 LED for the display of the outputs Y1..Y4,
 LED Y1..Y4 turned off: output = 0 V DC
 highest brightness: output = 10 V DC

2 LED LED BUS green: blinking = field bus data transmission
 LED Error red: field bus Error

Manual switching 100%/Automatic/0 can be set for every output individually
 Degree of enclosure protection IP20
 Ambient temperature 0..45°C
 Mounting On a standard track EN 50022 (35 x 7.5 mm) for installation in a control panel.
 Other mounting notices can be found on the reverse side.



Measurements



Installation



Warning

The electrical installation of the devices connection may only be carried out by qualified expert personnel, e.g. by a trained electrical technician.

The VDE regulations as well as all the local ordinances must be observed.

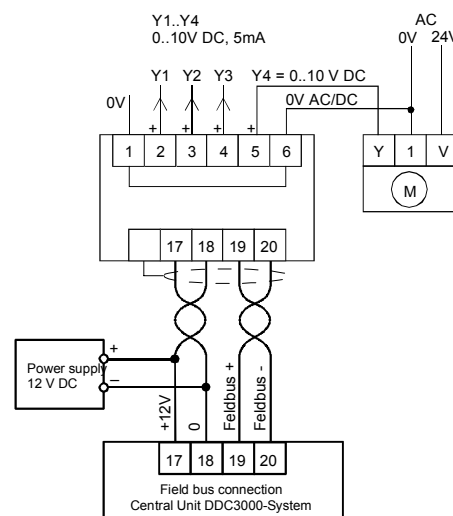
Lines for the power supply and the field should be run together in a shielded cable, cable type is at a minimum: JY(St)Y 2x2x0.8 Lg

Lines for power supply must in the form of twisted pairs.

Lines for field bus must in the form of twisted pairs.

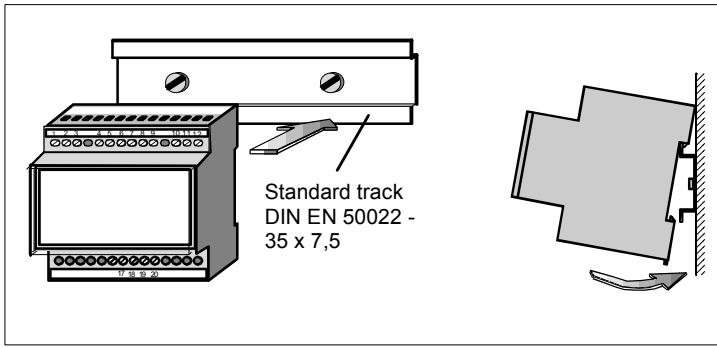
At the end of the field bus (most distant point from the Central Unit, max. 2000 m) a terminating resistance of ca. 180 Ω must be connected between the lines of the field bus (terminating resistor is a part of the Central Unit accessory kit).

Device connections



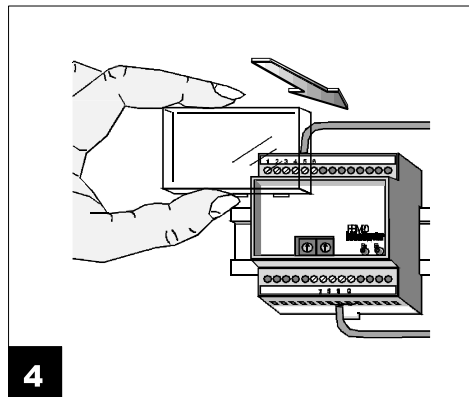
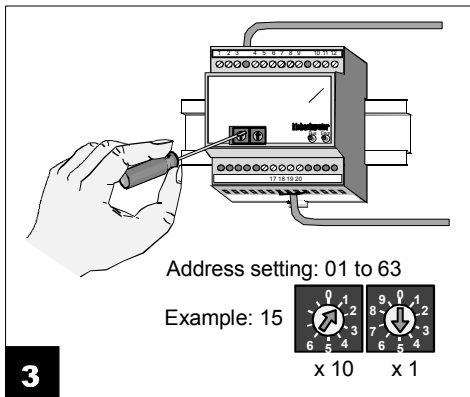
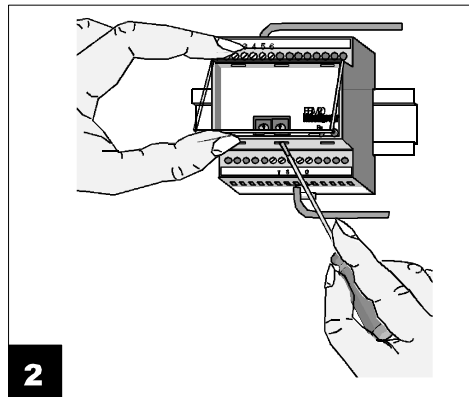
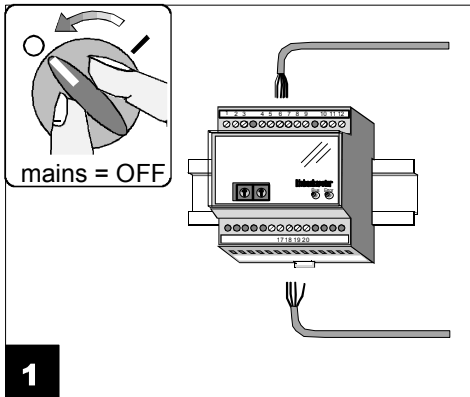
Date 18.01.2000

Mounting



Warning

- The electrical installation of the device connections should only be carried out by qualified personnel!
- Connection to the mains should be done only by the commissioning technician!



Attention

Device settings should be done only by the commissioning technician