

Device description

FBM34W Field Bus Modul

Application

In the digital regulating system DDC3000; the field bus module FBM34W has the function of collecting up to four analog signals. They can be mounted in control panels and collect remote analog data points in the technical service systems. The housing of the FBM34W is protected against dirt and water splashing according to IP54, so that this FieldBusModule can be mounted locally on the wall.

Type

FBM34W FieldBusModule with four analog inputs.
4 x KP10 (active measuring system) or 4 x 0..10 V DC (switchable)

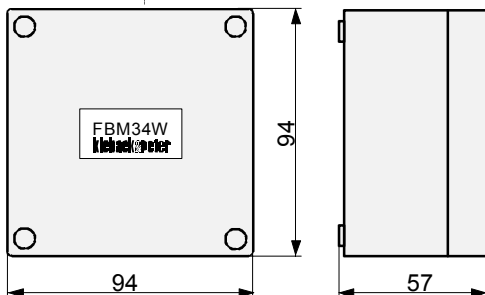
Technical Data

Mains	12 V DC / 50 mA, 0.6 VA
Inputs	four analog inputs, switchable as a group: 4 x KP10 (active measuring system) or 4 x 0..10 V DC, Ri 200 kΩ
Switch	for the selection of the analog inputs
Bus connection	Field bus , max. 2000 m
Address switch	Addressing 01..63 with two rotary switches
Display transmission	2 LED LED BUSY green: Blinking = Field bus data LED ERROR red: Field bus Error
Degree of enclosure protection	IP54
Ambient temperature	0..45°C
Accessory pack	6 Pieces Cable connectors for connecting lines 4 Pieces Locking screws for housing lid 4 Pieces Screws with dowels for wall mounting
Mounting	Wall mounting, see notices on the reverse side



FBM34W

Measurements



Installation

The electrical installation of the device connections may only be carried out by qualified expert personnel, e.g. by a trained electrical technician.
Warning regulations as well as all the local ordinances must be observed.

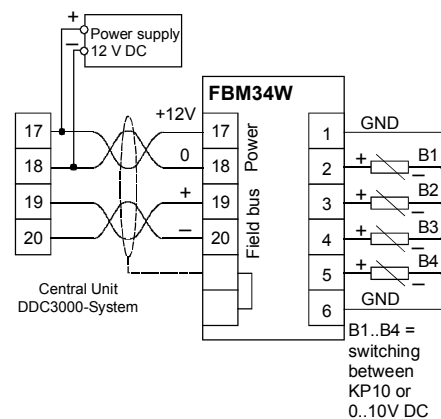
Lines for the power supply and the field bus should be run together in a shielded cable, cable type is at a minimum: JY(St)Y 2x2x0.8 Lg.

Lines for power supply must in the form of twisted pairs.

Lines for field bus must in the form of twisted pairs.

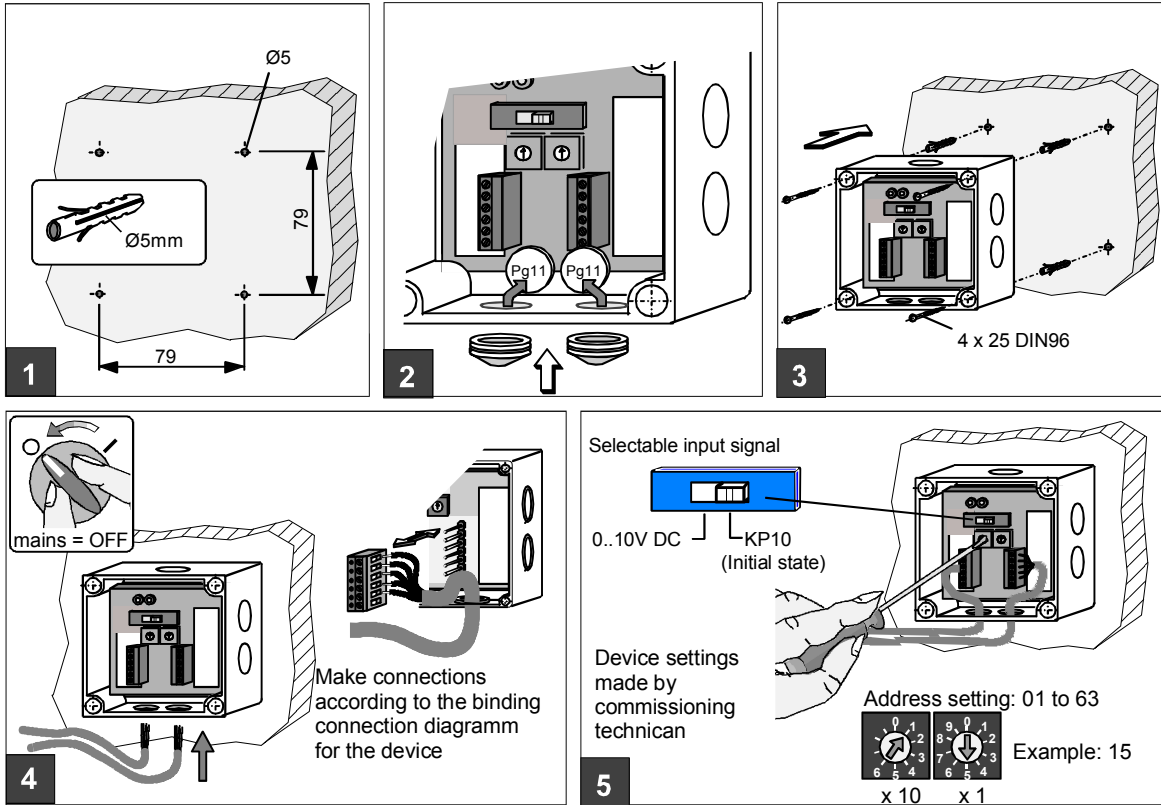
At the end of the field bus (most distant point from the Central Unit, max. 2000 m) a terminating resistance of ca. 180 Ω must be connected between the lines of the field bus (terminating resistor is a part of the Central Unit accessory kit).

Device connections



Date 14.05.2001

Mounting notice



The device connection may only be carried out by expert qualified personnel!

- Only switch on the main power after the device setting have been carried out by commissioning technician!

