

Device description

FBM34 Field Bus Modul

Application

In the digital regulating system DDC3000, the field bus module FBM34 has the function of collecting up to four analog signals.

They can be mounted in control panels and, in the technical services systems and collect remote analog data points.

Data is transferred over the field bus to the DDC Central Unit and can be employed throughout the whole of the DDC3000 system.

Type

FBM34 Field bus Module with four analog inputs.
inputs are selectable for 0..10 V DC or temp. measuring system KP10.

Technical data

Mains 12 V DC $\pm 20\%$ / 50 mA, 0.6 VA
Inputs four analog inputs selectable
for 4 times 0..10 V DC, Ri 200 k Ω
or 4 temperature sensors with measuring system KP10

Bus connection Field bus , max. 2000 m

Address switch Addressing 01..63 with two rotary switches

Display 2 LED LED BUS green: Blinking = Field bus data transmission
LED Error red: Field bus Error

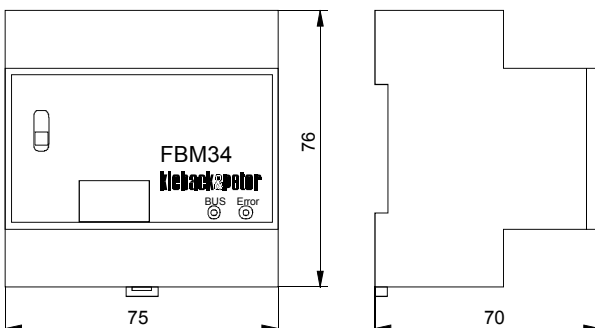
Transfer switch input selection for 4 x 0..10 V DC or 4 x Measuring system KP10

Degree of enclosure protection IP20

Ambient temperature 0..45°C

Mounting On standard track EN 50022 (35 x 7.5 mm) for mounting in a control panel.
Further mounting notices can be found on the reverse side.

Dimensions



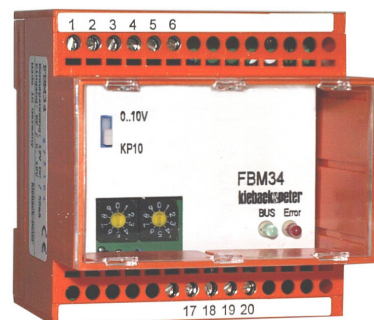
Installation

The electrical installation of the devices connection may only be carried out by qualified expert personnel, e.g. by a trained electrical technician.

The VDE regulations as well as all the local ordinances must be observed.

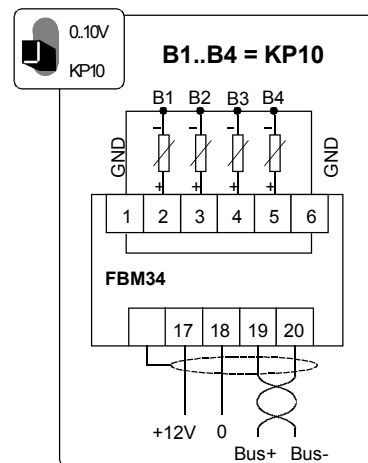


- Lines for the power supply and the field should be run together in a shielded cable, cable type is at a minimum: JY(St)Y 2x2x0.8 Lg.
- Lines for power supply must in the form of twisted pairs.
- Lines for field bus must in the form of twisted pairs.
- At the end of the field bus (most distant point from the Central Unit, max. 2000 m) a terminating resistor of ca. 180 Ω must be connected between the lines of the field bus (terminating resistance is a part of the Central Unit accessory kit).



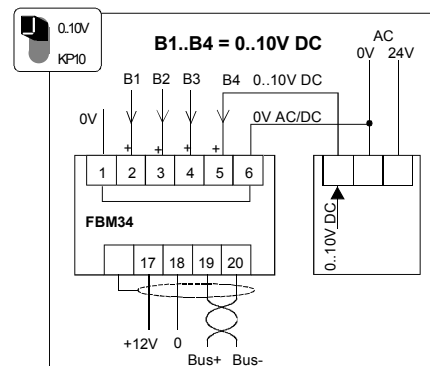
Device connections

Input Temperature sensor with measuring system KP10

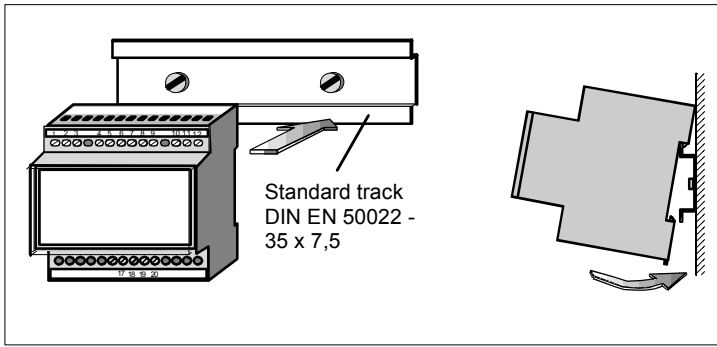


alternativ

Input 4 x 0..10 V DC

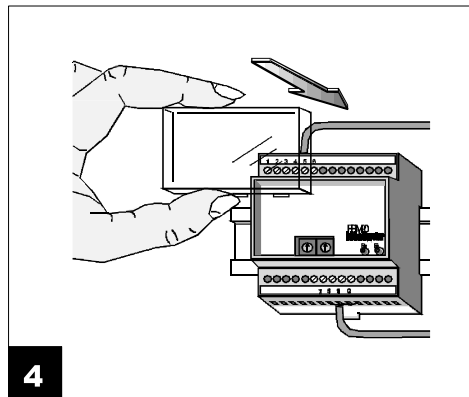
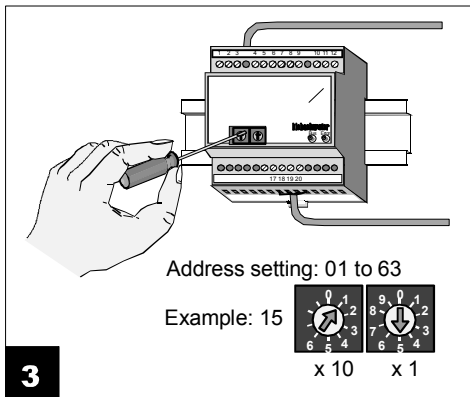
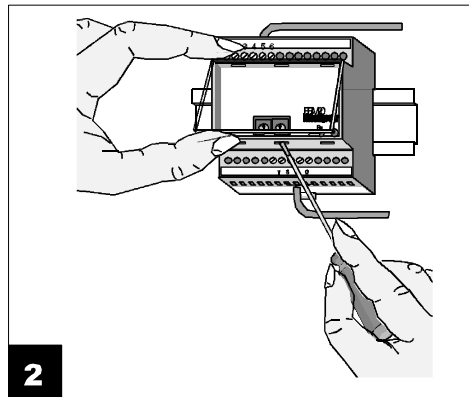
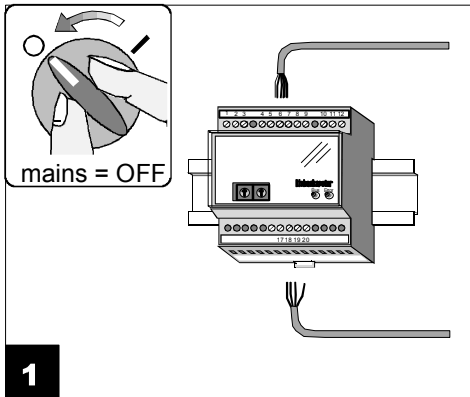


Mounting



Warning

- The electrical installation of the device connections should only be carried out by qualified personnel!
- Connection to the mains should be done only by the commissioning technician!



Attention

Device settings should be done only by the commissioning technician