

Device description

FBM24W Field Bus Modul

Application

The FieldBusModule FBM24W have the function of switching and making logical links for the digital control system DDC3000

With the four voltage-free contact outputs (relays), remote devices are switched locally in the technical services system.

The housing of the FBM24W is protected against dust and water spraying according to IP54, so that the FieldBusModule can be mounted locally on the wall.

Type

FBM24W FieldBusModule with four switch outputs (relays).

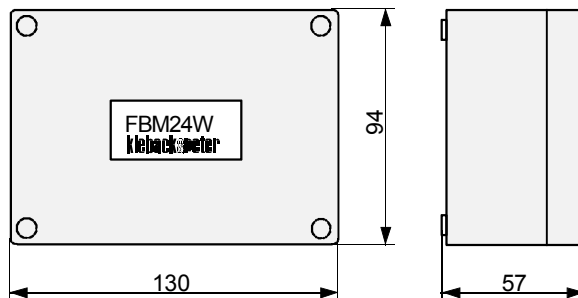
Technical data

Power supply	12 V DC / 115 mA, 1,4 VA
Outputs	Four voltage-free relays K1..K4, max. 230 V AC, 6 (3) A
Bus connection	Fieldbus, max. 2000 m
Address switch	Addressing 01..63 with 2 rotating switches
Display in the device	2 LED LED BUSY green: blink = Fieldbus data transmission LED ERROR red: Fieldbus error
Degree of enclosure protection	IP54
Ambient temperature	0..45°C
Accessories	4 each Locking screws for housing lid 4 each Screws and dowels for wall mounting
Mounting	Wall mounting, see notices on the back



FBM24W

Measurements



Installation



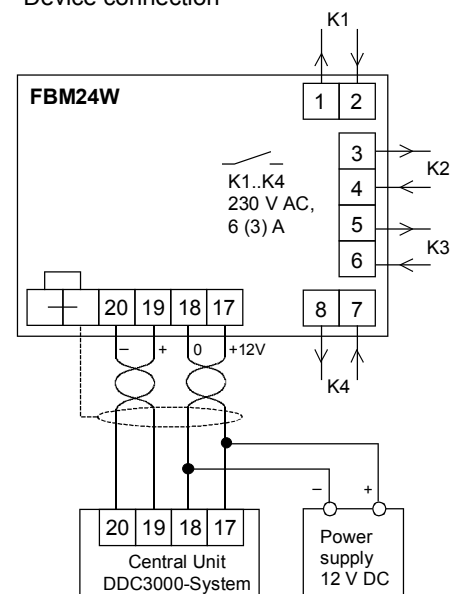
Achtung

Voltages of up to 230 V possible on the outputs!
The electrical installation of the device connections should only be carried out by qualified personnel.

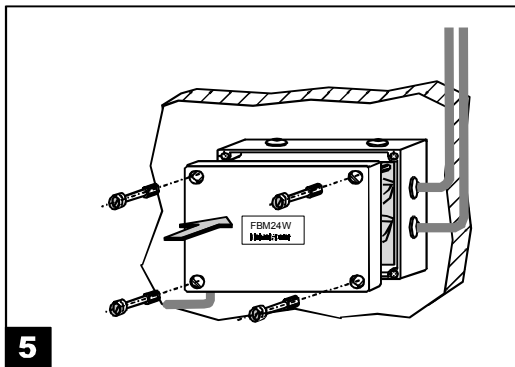
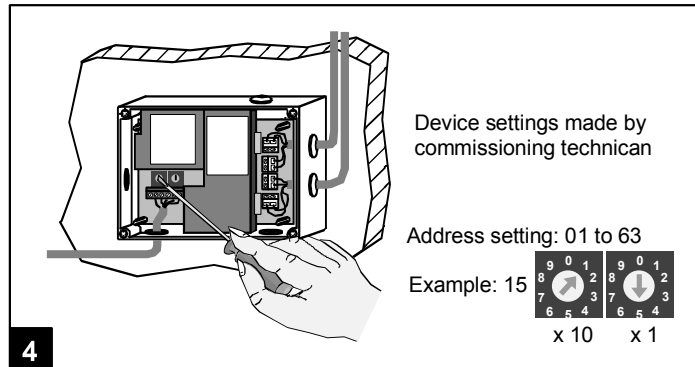
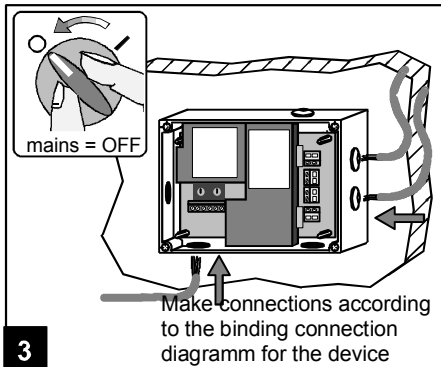
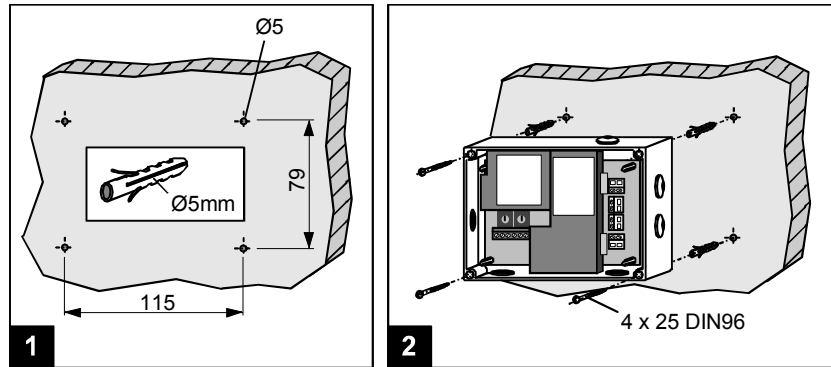
The VDE regulations as well as all the local ordinances must be observed.

- Lines for the power supply and the Fieldbus should be run together in a shielded cable, cable type is at a minimum: JY(St)Y 2x2x0,8 Lg.
- Lines for power supply must in the form of twisted pairs.
- Lines for Fieldbus must in the form of twisted pairs.
- At the end of the Fieldbus (most distant point from the Central Unit, max. 2000 m) a terminating resistance of ca. 180 Ω must be connected between the lines of the Fieldbus (terminating resistance is a part of the Central Unit accessory kit).

Device connection



Mounting notice



Warning

- The electrical installation of the device connections should only be carried out by qualified personnel!
- Connection to the mains should be done only by the commissioning technician!