

Device description

FBM18S0 Field Bus Modul

Application

As a part of the digital control system DDC3000, the FieldBusModule FBM18S0 has the function of acquiring up to four impulse signals with the S0 interface and up to four contact signals locally.

It can be mounted in switching cabinets and has the function in the technical services systems for collecting distant digital data points.

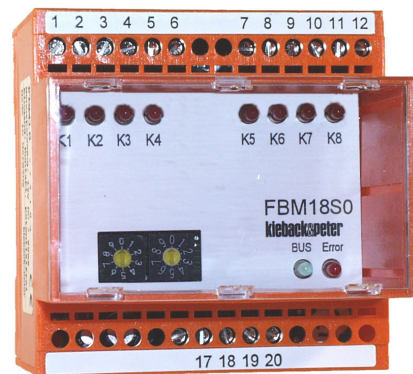
The data is transferred to the DDC Central Unit and can be processed in the entire DDC3000 system using the Fieldbus.

Type

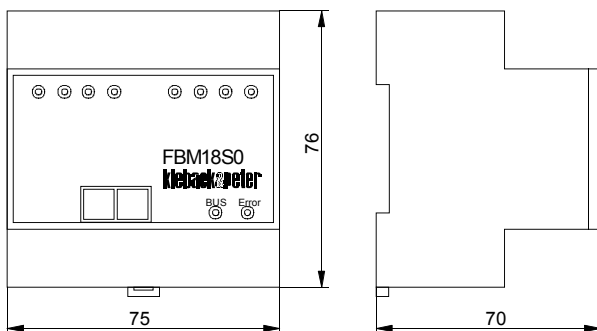
FBM18S0 FieldBusModule with four counter inputs (S0 interface) and four contact inputs

Technical data

Power supply	12 V DC $\pm 20\%$ / 80 mA, 0,96 VA
Inputs	4 Impulse inputs K1..K4 for counter with S0 interface 4 contact inputs K5..K8 (voltage-free), max. 40 Hz
Bus connection	Fieldbus, max. 2000 m
Address switch	Addressing 01..63 with 2 rotating switches
Display	8 LED for the display of the inputs K1..K4, LED lights on ON 2 LED LED BUS green: Blinking = Fieldbus data transmission LED Error red: Fieldbus error
Degree of enclosure protection	IP20
Ambient temperature	0..45°C
Mounting	On norm rail EN 50022 (35 x 7,5 mm) for mounting in a switching cabinet. Mounting information are printed on the rear.



Measurements



Installation



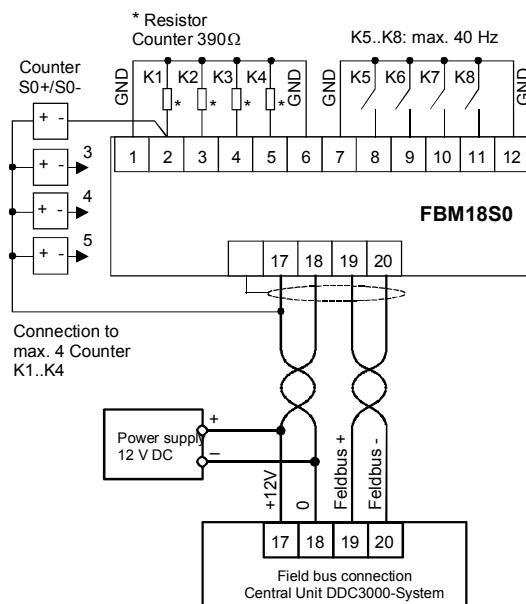
Achtung

The electrical installation of the device connections should only be carried out by qualified personnel.

The VDE regulations as well as all the local ordinances must be observed.

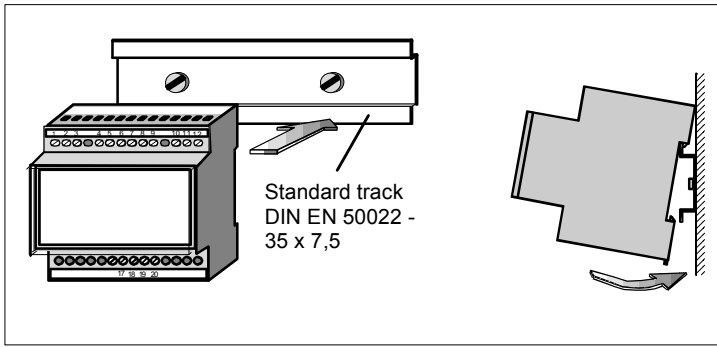
- Lines for the power supply and the Fieldbus should be run together in a shielded cable, cable type is at a minimum: JY(St)Y 2x2x0,8 Lg.
- Lines for power supply must in the form of twisted pairs.
- Lines for Fieldbus must in the form of twisted pairs.
- At the end of the Fieldbus (most distant point from the Central Unit, max. 2000 m) a terminating resistance of ca. 180 Ω must be connected between the lines of the Fieldbus (terminating resistance is a part of the Central Unit accessory kit).

Device connection



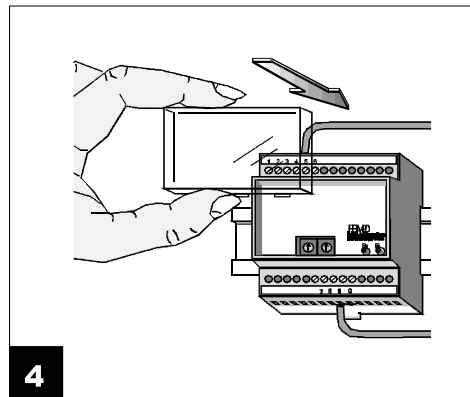
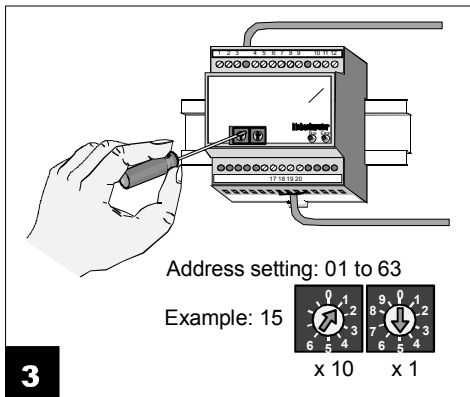
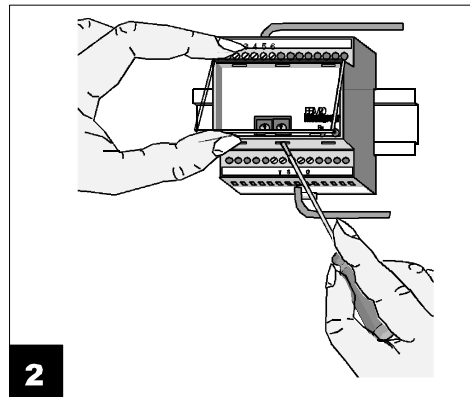
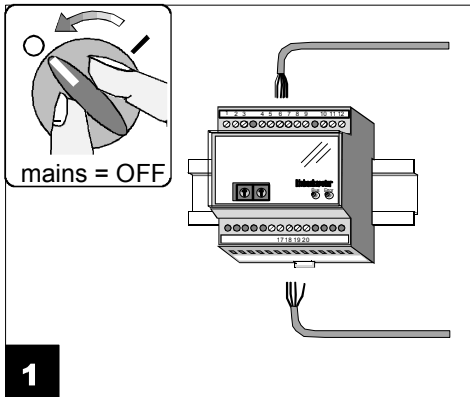
Date 07.01.2000

Mounting



Warning

- The electrical installation of the device connections should only be carried out by qualified personnel!
- Connection to the mains should be done only by the commissioning technician!



Attention

Device settings should be done only by the commissioning technician