

## Device description

## FBM18 Field Bus Modul

### Application

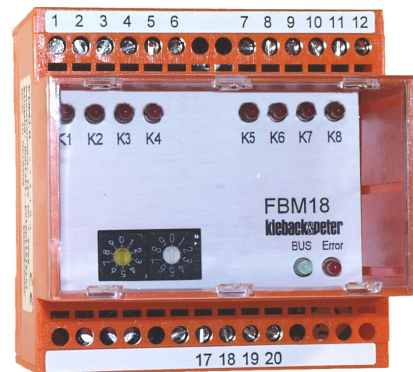
As a part of the digital control system DDC3000, the FieldBusModule FBM18 has the function of acquiring up to eight digital signals locally. It can be mounted in switching cabinets and has the function in the technical services systems of collecting distant digital data points. The data is transferred to the DDC Central Unit and can be processed in the entire DDC3000 system using the Fieldbus.

### Type

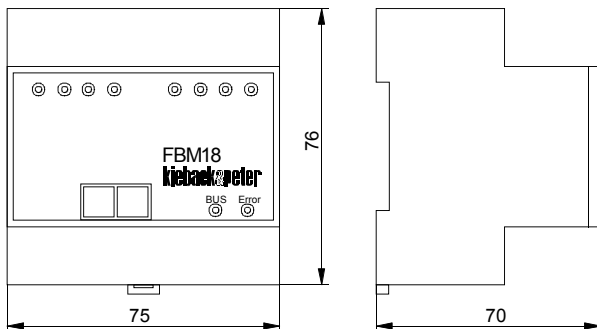
FBM18 FieldBusModule with eight digital inputs

### Technical data

Power supply 12 V DC  $\pm 20\%$  / 50 mA, 0,6 VA  
 Inputs Eight contact inputs K1..K8 (voltage-free), max. 40 Hz  
 Bus connection Fieldbus, max. 2000 m  
 Address switch Addressing 01..63 with 2 rotating switches  
 Display 8 LED for the display of the inputs K1..K8, LED lights on ON  
 2 LED LED BUS green: Blinking = Fieldbus data  
 transmission LED Error red: Feldbus error  
 Degree of enclosure protection IP20  
 Ambient temperature 0..45°C  
 Mounting Control cabinet mounting on tophat rails EN50022 – 35 x 7,5  
 Mounting information are printed on the rear.



### Measurements



### Installation

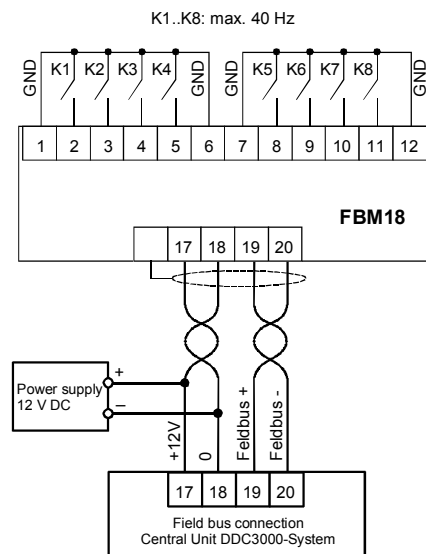


**The electrical installation of the device connections should only be carried out by qualified personnel.**

The VDE regulations as well as all the local ordinances must be observed.

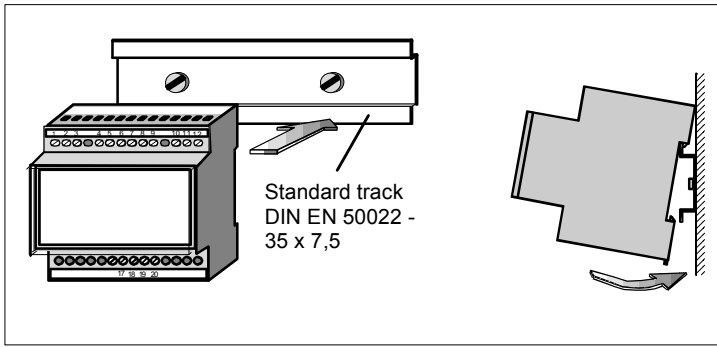
- Lines for the power supply and the Fieldbus should be run together in a shielded cable, cable type is at a minimum: JY(St)Y 2x2x0,8 Lg.
- Lines for power supply must in the form of twisted pairs.
- Lines for Fieldbus must in the form of twisted pairs.
- At the end of the Fieldbus (most distant point from the Central Unit, max. 2000 m) a terminating resistance of ca. 180  $\Omega$  must be connected between the lines of the Fieldbus (terminating resistance is a part of the Central Unit accessory kit).

### Device connections



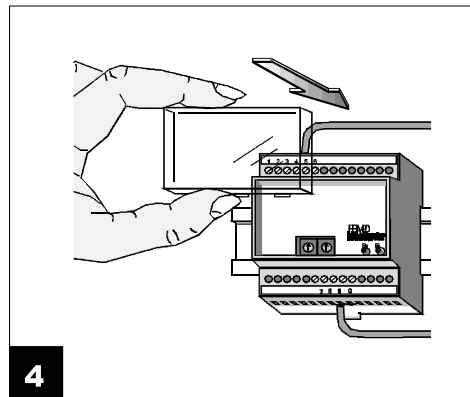
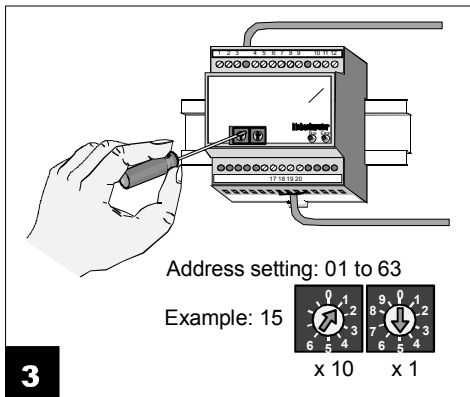
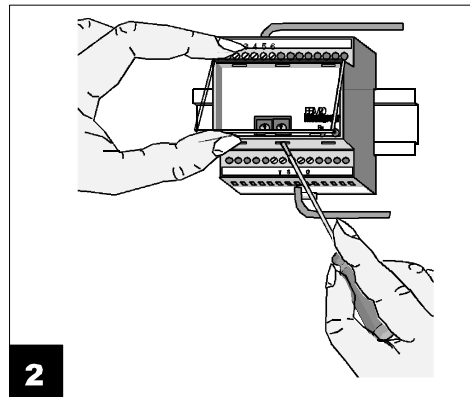
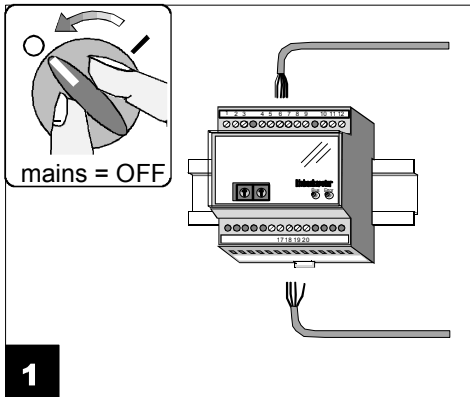
Date 17.10.2000

Mounting



Warning

- The electrical installation of the device connections should only be carried out by qualified personnel!
- Connection to the mains should be done only by the commissioning technician!



Attention

Device settings should be done only by the commissioning technician