

Device description

FBM14W Field Bus Modul

Application

The FieldBusModule FBM14W have the function of collecting up to four digital signals locally for the digital control system DDC3000. The housing of the FBM14W is protected against dust and water spraying according to IP54, so that the FieldBusModule can be mounted locally on the wall. The data is transferred on Fieldbus to the DDC Central Unit and can be accessed in the entire DDC3000 system.

Type

FBM14W FieldBusModule with four digital inputs

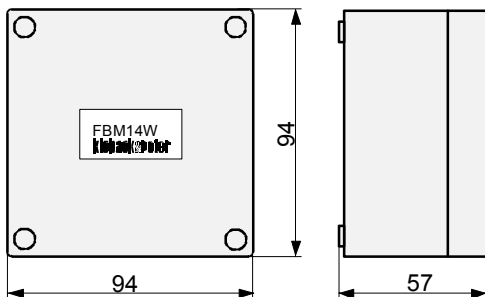
Technical data

Power supply	12 V DC / 50 mA, 0,6 VA
Inputs	Four digital inputs K1..K4 (voltage-free), Impulse inputs max. 40Hz
Bus connection	Fieldbus, max. 2000 m
Address switch	Addressing 01..63 with 2 rotating switches
Display	2 LED in the housing LED BUSY green: blinkt = Fieldbus data transmission LED ERROR red: Fieldbus error
Degree of enclosure protection	IP54
Ambient temperature	0..45°C
Accessories	6 each Cable terminals for connection leads 4 each Locking screws for housing lid 4 each Screws and dowels for wall mounting
Mounting	Wall mounting, see notices on the back



FBM14W

Measurements



Installation



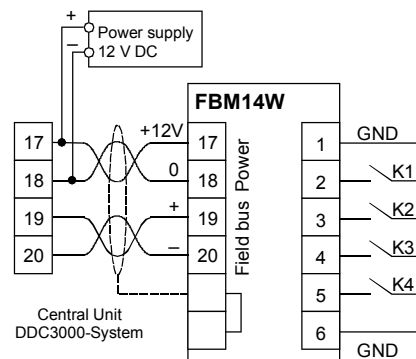
Warning

The electrical installation of the device connections should only be carried out by qualified personnel.

The VDE regulations as well as all the local ordinances must be observed.

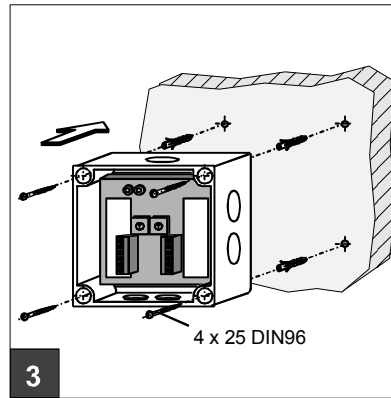
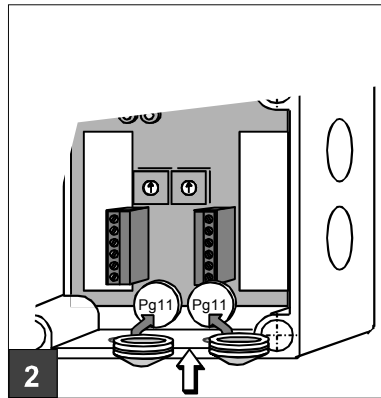
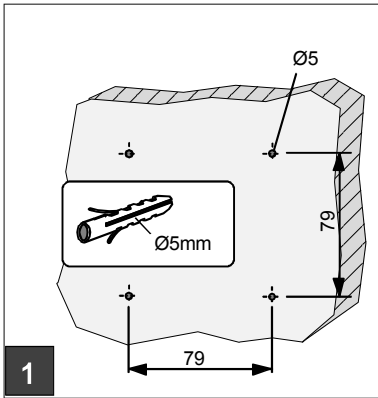
- Lines for the power supply and the Fieldbus should be run together in a shielded cable, cable type is at a minimum: JY(St)Y 2x2x0,8 Lg.
- Lines for power supply must in the form of twisted pairs.
- Lines for Fieldbus must in the form of twisted pairs.
- At the end of the Fieldbus (most distant point from the Central Unit, max. 2000 m) a terminating resistance of ca. 180 Ω must be connected between the lines of the Fieldbus (terminating resistance is a part of the Central Unit accessory kit).

Device connections

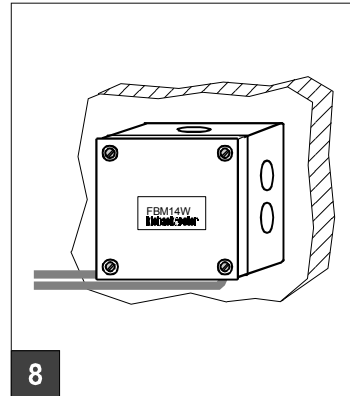
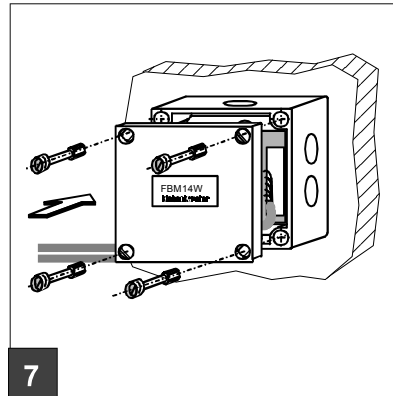
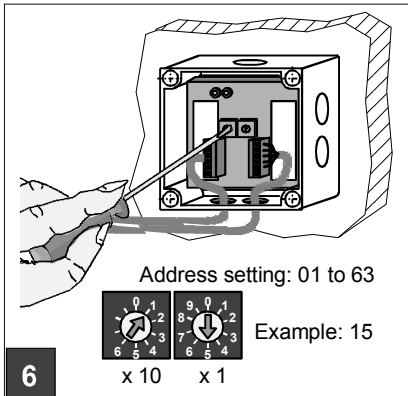
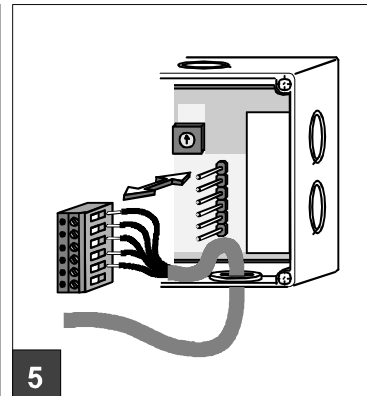
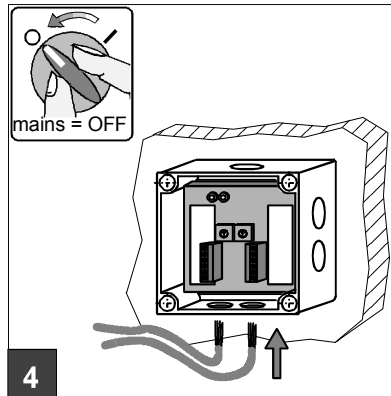


Date 14.05.2001

Mounting notice



- The electrical installation of the device connections should only be carried out by qualified personnel!
- Connection to the mains should be done only by the commissioning technician!



Device settings should be done only by the commissioning technician