

Device description

FBM14 Field Bus Modul

with 4 digital inputs

Application

As a part of the digital control system DDC3000, the FieldBusModule FBM14 has the function of acquiring up to four digital signals locally. It can be mounted in switching cabinets and has the function in the technical services systems of collecting distant digital data points. The data is transferred to the DDC Central Unit and can be processed in the entire DDC3000 system using the Fieldbus.

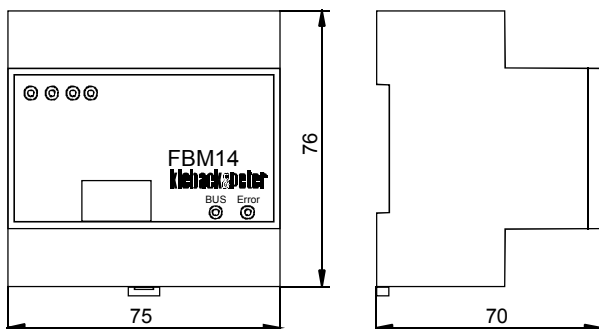
Type

FBM14 FieldBusModule with four digital inputs

Technical data

Power supply 12 V DC $\pm 20\%$ / 50 mA, 0,6 VA
 Inputs Four digital inputs K1..K4 (voltage-free),
 Impulse inputs max. 40Hz
 Bus connection Fieldbus, max. 2000 m
 Address switch Addressing 01..63 with 2 rotating switches
 Display 4 LED for the display of the inputs K1..K4, LED lights on ON
 2 LED LED BUS green: Blinking = Fieldbus data transmission
 LED Error red: Feldbus error
 Degree of enclosure protection IP20
 Ambient temperature 0..45°C
 Mounting Control cabinet mounting on tophat rails EN50022 – 35 x 7,5
 Mounting information are printed on the rear.

Measurements



Installation



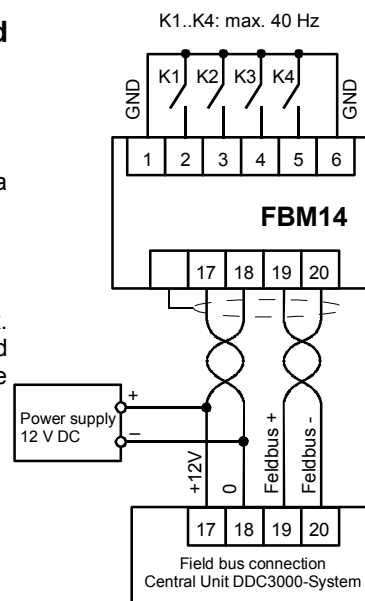
Warning

The electrical installation of the device connections should only be carried out by qualified personnel.

The VDE regulations as well as all the local ordinances must be observed.

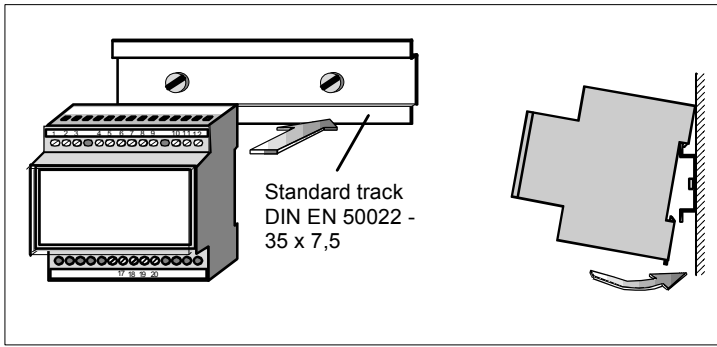
- Lines for the power supply and the Fieldbus should be run together in a shielded cable, cable type is at a minimum: JY(St)Y 2x2x0,8 Lg.
- Lines for power supply must in the form of twisted pairs.
- Lines for Fieldbus must in the form of twisted pairs.
- At the end of the Fieldbus (most distant point from the Central Unit, max. 2000 m) a terminating resistance of ca. 180 Ω must be connected between the lines of the Fieldbus (terminating resistance is a part of the Central Unit accessory kit).

Device connections



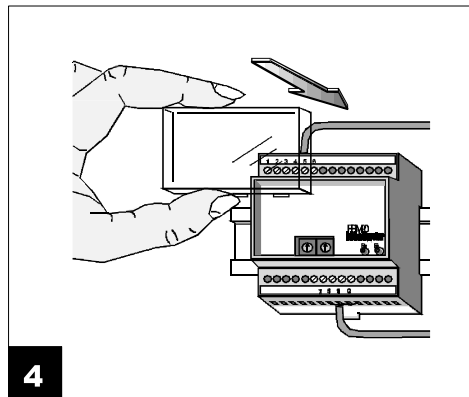
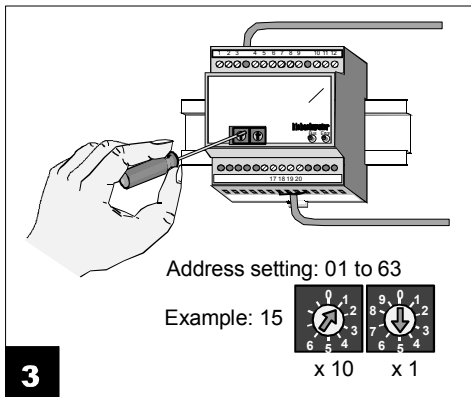
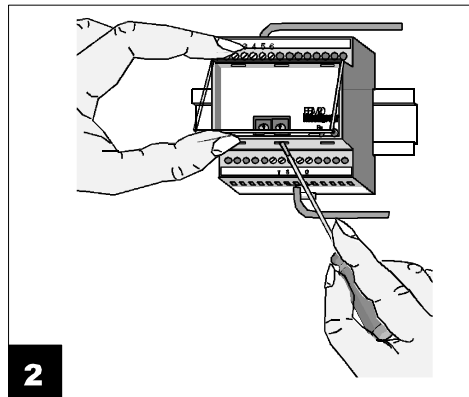
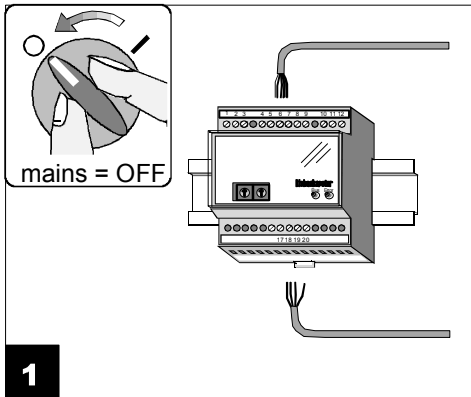
Date 21.02.2002

Mounting



Warning

- The electrical installation of the device connections should only be carried out by qualified personnel!
- Connection to the mains should be done only by the commissioning technician!



Attention

Device settings should be done only by the commissioning technician