

Product description**DWR6-205, DWR16-205 and DWR6-206 Pressure Limiter in
Acc. with TÜV.SDB.02-310/TÜV.SDBF.02-309****DWR6-205, DWR16-205 and DWR6-206 Pressure
Limiter in Acc. with TÜV.SDB.02-310/
TÜV.SDBF.02-309**

The pressure limiters DWR6-205, DWR16-205 und DWR6-206 with mechanical locking (switch lock) are used in steam and hot water systems in accordance with TRD 604, DIN 4751, T.2 for maximum and/or minimum pressure limiting.



Contents	Page
Information about the device description	2
Safety instructions	2
Qualified technicians.....	2
Article.....	2
Technical data	3
Dimensions	4
Installation.....	4
Installation.....	5
Setting the pressure limits	6
Unlocking	6

Änderungen vorbehalten - Contents subject to change - Sous réserve de modifications - Reservado el derecho a modificación - Wijzigingen voorbehouden - Con riserva di modifichie - Innehåll som skall ändras - Změny vyhrazeny - Zmiany zastrzeżone - Возможны изменения - A változtatások jogát fenntartjuk - 保留未稟通知而改动的权力

Kieback&Peter GmbH & Co. KG

Tempelhofer Weg 50, 12347 Berlin/Germany

Telefon: +49 30 60095-0, Telefax: +49 30 60095-164

www.kieback-peter.de, info@kieback-peter.com

kieback&peter

Information about the device description

The description contains information for using and installing the pressure limiters DWR6-205, DWR16-205 and DWR6-206.

If you have questions that are not covered by the device description, contact the supplier or manufacturer for further information.

The specified regulations/guidelines for mounting and installation are valid for the Federal Republic of Germany. If the device is used in other countries, local regulations are to be complied with at the personal responsibility of the system installer or operator.

Operating personnel are to be instructed according to the description of the technical data sheet.

Safety instructions

The valid work protection, accident prevention and VDE regulations are to be observed for installing and using the devices.

Installation and commissioning work on the devices may only be carried out by qualified technicians. See section "Qualified technicians". Each person who uses the devices must have read and understood the descriptions on the technical data sheet.

If the device is not used according to the device description, the protection provided could be impaired.

Meanings of symbols on the technical data sheet:

**DANGER!**

Warning of electric voltage

**WARNING!**

General warning. Note must be observed.

DANGER Means that non-observance could lead to life-threatening danger, serious bodily injury or major material damage.

CAUTION Means that non-observance could risk injury or material damage.

Qualified technicians

Qualified technicians in the context of the technical data sheet are persons who are familiar with the described devices and who have the necessary qualifications for their job.

This includes, for example:

- Authorization to connect the devices in accordance with VDE regulations and the local energy supply company regulations, as well as authorization for switching on, off and enabling devices under observance of in-house regulations.
- Knowledge of accident prevention regulations
- Knowledge of the use of devices within the system etc.

Article

DWR6-205	Pressure limiter for maximum pressure limiting, range 0.5 – 6 bar, TÜV.SDB.02-310
DWR16-205	Pressure limiter for maximum pressure limiting, range 3 – 16 bar, TÜV.SDB.02-310
DWR6-206	Pressure limiter for minimum pressure limiting, range 0.5 – 6 bar, TÜV.SDBF.02-309

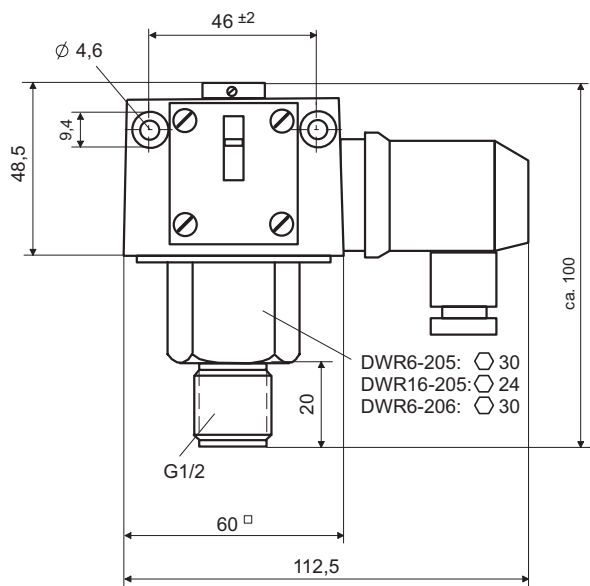
Technical data

Function	Pressure limiting with mechanical locking DWR..-205 for maximum pressure monitoring Component part no. TÜV.SDB.02-310DWR..-206 for minimum pressure monitoring Component part no. TÜV.SDBF.02-309
Output	1-pole switch, locking
Switching capacity	8 (5) A, 250V AC
Setting range	DWR6-205 0.5 – 6 barSealing device can be retro-fitted DWR16-205 3 –16 bar Sealing device can be retro-fitted DWR6-2060.5 – 6 barSealing device can be retro-fitted
Switching difference	DWR6-205 approx. 0.4 bar(corresponds to the pressure change for unlocking) DWR16-205 approx. 0.8 bar(corresponds to the pressure change for unlocking) DWR6-206approx. 0.3 bar (corresponds to the pressure change for unlocking)
Operating pressure	DWR6-205max. 16 bar DWR16/205max. 25 bar DWR6/206max. 16 bar
Ambient temperature	-25°C – 70°C
Medium temperature	max. 70°C At higher medium temperatures, suitable measures must be taken to ensure that the maximum temperature at the pressure limiter is not exceeded. Also ensure that at low temperatures, condensate cannot form in the sensor or switch housing.
Sensor	Stainless steel
Pressure connection	Male thread G1/2 (pressure gauge thread) according to DIN 16288
Switch housing	Die-cast aluminium
Installation position	Vertical and horizontal
Degree of protection	IP54
Weight	0.45 kg

Product description

DWR6-205, DWR16-205 and DWR6-206 Pressure Limiter in Acc. with TÜV.SDB.02-310/TÜV.SDBF.02-309

Dimensions



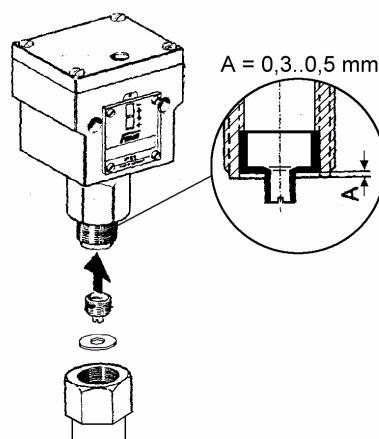
Installation



WARNING!

Installation may only be carried out by qualified technicians.

- The pressure limiter must be mounted in an accessible location without vibrations in compliance with the technical data.
- The pressure limiter can be mounted directly either vertically or horizontally on the pipeline (pressure gauge thread G1/2), or to an even surface with 2 screws ($\varnothing 4$ mm).
- For direct pipeline mounting: secure the pressure limiter only to the hexagon screw on the pressure connection with a wrench.
Caution -Do not use the housing or the plug as a lever arm.
- The pressure connection is to be sealed with a suitable sealing material. If a flat gasket is used, the supplied centering screw is to be screwed into the female thread of the pressure connection, see diagram.



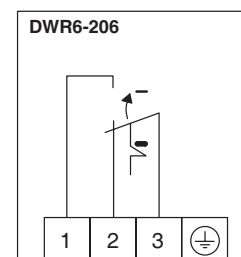
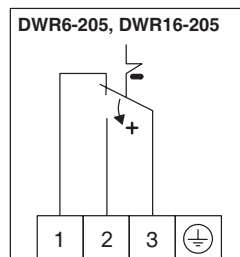
Installation**DANGER!**

Electrical installation and device connection may only be carried out by qualified technicians, e.g. an electrician.

Be sure to comply with local wiring regulations.

The device must be connected in accordance with the applicable system wiring diagram.

Connection

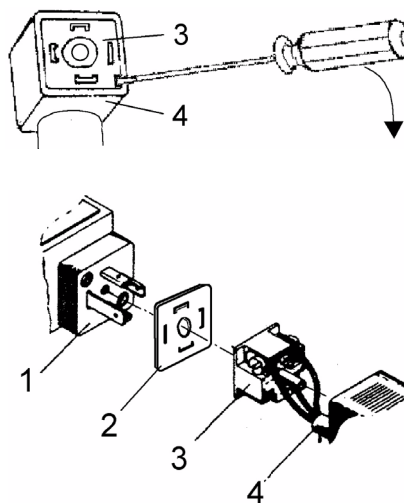


- | | |
|-----------------------|--|
| DWR6-205
DWR16-205 | If the pressure reaches the set pressure limit, the output contact switches from terminals 3 – 1 to 3 – 2 and locks. |
| DWR6-206 | If the pressure sinks to the set limit, the output contact switches from terminals 3 – 2 to 3 – 1 and locks. |

The device is connected via the right angled plug of the pressure limiter.

- Remove the retaining screws from the right angled plug and remove the plug insert (3) from the plug housing (4). Insert a screwdriver into the slot and press down.
- Insert the cable through the cable gland in the plug housing (4) and connect to the plug insert (3).
- Press the plug insert back into the housing.
- Place the supplied plug seal (2) onto the device connection (1) and secure the right angled plug with the retaining screw.
- Tighten the cable gland.

The cable outlet can be rotated 90°. Rotate the plug insert (3) and insert into the plug housing (4).



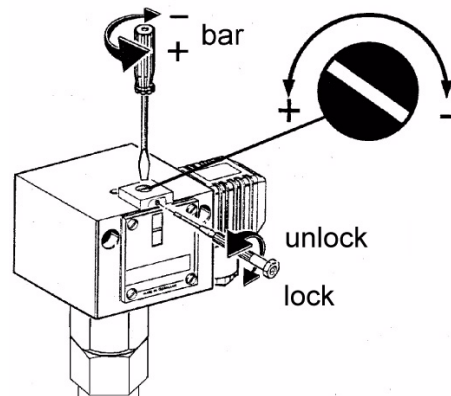
Setting the pressure limits



DANGER!

The pressure limiter may only be set by qualified technicians, e.g. the commissioning technician.

- Before setting, loosen the safety screw above the calibration scale by approx. 2 turns (unlock).
- The pressure limiter is set at the adjusting spindle using a screw driver. The exact limit value is set with a pressure gauge. The scale on the pressure limiter serves as a nominal value.
- After setting, re-tighten the safety screw (lock).



Unlocking

If the pressure reaches the set limit, the output contact switches and locks. Unlocking can occur only when the pressure sinks below the limit value (DWR6-205, DWR16-205) or is exceeded (DWR6-206). The change of pressure required to switch back can be found in the technical data; see the section on switching difference. To unlock, press the release button (a red dot on the side of the scale, see diagram).

