

DDC4001 Operating Unit

Application

Active matrix LCD touchscreen for operating the DDC4000 automation and control system



Contents	Page
Important Information Regarding Product Safety	2
Item	3
Technical Data	3
Dimensions	3
Installation Dimensions	4
Installation	4
Connection	4
Installation	5
Function/Operation	5

Änderungen vorbehalten - Contents subject to change - Sous réserve de modifications - Reservado el derecho a modificación - Wijzigingen voorbehouden - Con riserva di modifiche - Innehåll som skall ändras - Změny vyhrazeny - Zmiany zastrzeżone - Возможны изменения - A változtatások jogát fenntartjuk - 保留未经通知而改动的权力

Important Information Regarding Product Safety

Safety Instructions

This data sheet contains information on installing and commissioning the product "DDC4001 Operating Unit". Each person who carries out work on this product must have read and understood this data sheet. If you have any questions that are not resolved by this data sheet, you can obtain further information from the supplier or manufacturer.

If the product is not used in accordance with this data sheet, the protection provided will be impaired.

Applicable regulations must be observed when installing and using the device. Within the EU, these include regulations regarding occupational safety and accident prevention as well as those from the VDE (Association for Electrical, Electronic & Information Technologies). If the device is used in other countries, it is the responsibility of the system installer or operator to comply with local regulations.

Mounting, installation and commissioning work on the devices may only be carried out by qualified technicians. Qualified technicians are persons who are familiar with the described product and who can assess given tasks and recognize possible dangers due to technical training, knowledge and experience as well as knowledge of the appropriate regulations.

Legend



WARNING

Indicates a hazard of medium risk which can result in death or severe bodily injury if it is not avoided.



CAUTION

Indicates a hazard of low risk which can result in minor or medium bodily injury if it is not avoided.



NOTICE

Indicates a hazard of medium risk which can result in material damage or malfunctions if it is not avoided.



Note

Indicates additional information that can simplify the work with the product for you.

Notes on Disposal

For disposal, the product is considered waste from electrical and electronic equipment (electronic waste) and must not be disposed of as household waste. Special treatment for specific components may be legally binding or ecologically sensible. The local and currently applicable legislation must be observed.

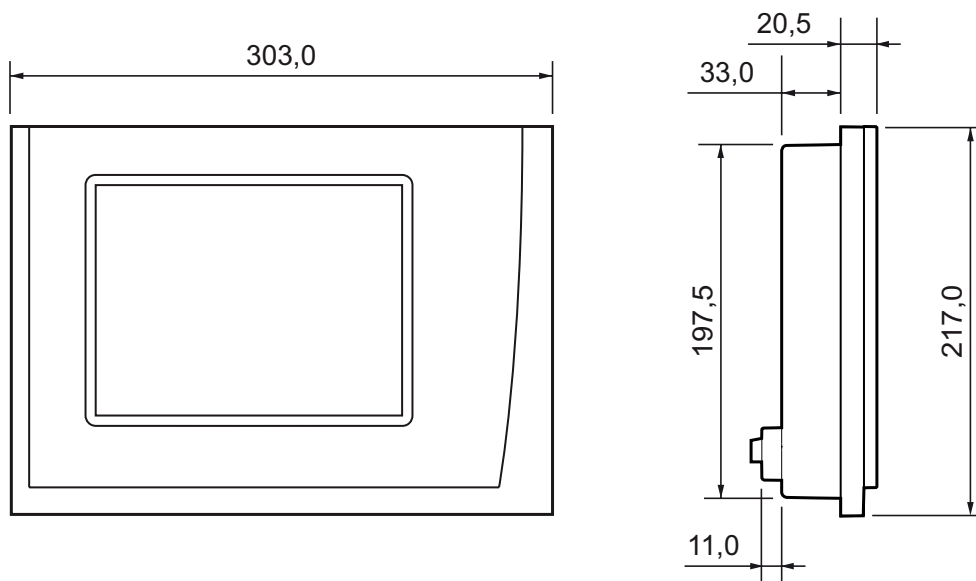
Item

DDC4001 Operating Unit

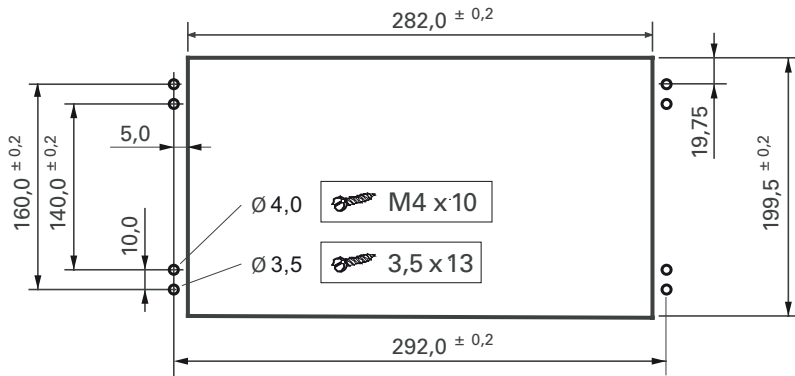
Technical Data

Nominal voltage	For controller	DC 24V; 24 VA
Bus connection	Ethernet RJ45	99 DDC4000 controllers can be managed and networked via active network components, 10/100 Mb/s, TCP/IP
Displays	Touchscreen with active backlit VGA color active matrix LCD 213.6 mm screen diagonal (8.4 inches)	
Degree of protection	IP20	
Ambient temperature	0 °C to 45 °C	
Ambient humidity	During operation: 20% to 80% r.h., non-condensing Out of operation: 5% to 90% r.h., non-condensing	
Dimensions	W x H x D mm 303 x 217 x 70	
Housing	Plastic case	
Weight	1.4 kg	
Marking	CE	

Dimensions



Installation Dimensions



Installation



NOTICE

Switching on the power supply of unparameterized products can lead to unforeseen consequences such as malfunctions or material damage.

Switch on the power only after the device has been configured by the commissioning technician.

Lines for the mains supply and fieldbus are to be laid together in one shielded cable, cable type at least 0.8 mm in diameter, with the wires twisted together in pairs. Here, one stranded pair of wires is to be used for the mains supply and the other for the fieldbus.

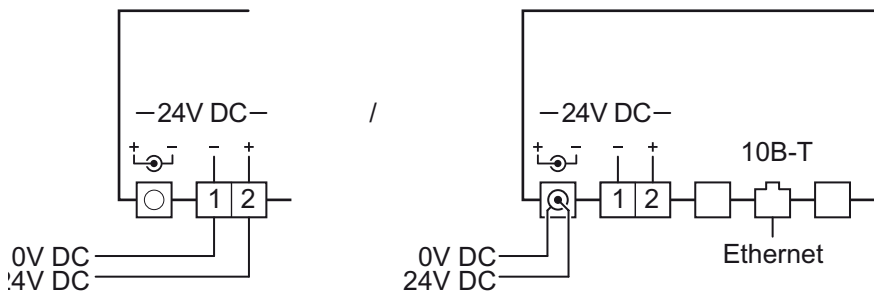
At the end of the fieldbus (furthest point from the DDC controller, max. 2000 m), the two connection lines must be fitted with a terminating resistor of about 180 ohm (terminating resistor is included with the DDC controller).

Connection



NOTICE

Deviating GND wiring may lead to errors in measurement.



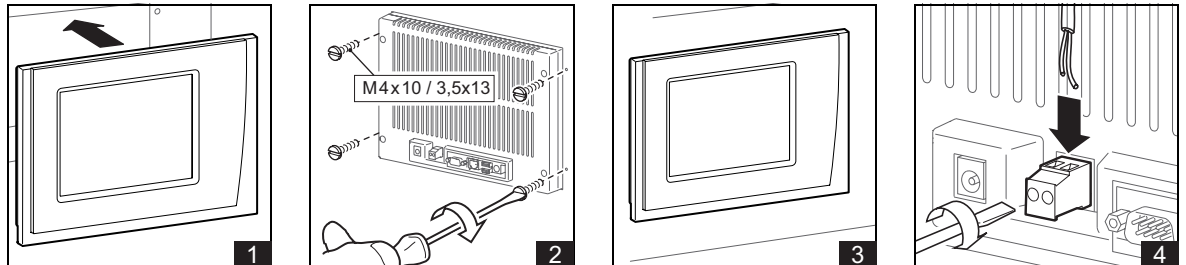
Installation



WARNING

Contact with live parts of electrical domestic installation can cause death due to electric shock. Mounting/removal may only be carried out when power is switched off.

Front installation



Function/Operation

- Active matrix LCD touchscreen for remote operation of the DDC4000 automation and control system
- Graphical dialog for query and entry of setpoints, actual values, switches and times
- Display of operation and malfunction messages
- Graphical query and entry of all DDC closed-loop and open-loop control parameters in priority levels and with user management
- Connection to controllers via Ethernet and TCP/IP



