

Device description

DDC3003 DDC Central Control Unit

DDC3003 DDC Central Control Unit

Basic functions

- DDC Central Control Unit for closed- and open-loop control, optimization, and monitoring functions
- manual operator control level with push-buttons and illuminated LCD display
- direct connection to BMS Central Control Station or modem connection
- 12 DDC control loops heating / ventilation, expandable to 21 DDC control loops over DDC software menu fixed setpoint
- functional expansion with DDC software menus
- comprehensive PLC-functions with 499 flags, 99 timers as well as time programs.
- up to 99 DDC Central Control Units in the bidirectional data exchange (peer-to-peer)
- permanent system monitoring of the bus communication and all connected DDC components
- customized plaintexts possible for every parameter
- error/malfunction message memory, event log with date and time
- automatic summer / winter time switching
- interactive dialog in the plaintext for the query and entry of the DDC data, such as current values, setpoints and times
- complete operation of the entire DDC System from every connected DDC Central Control Unit (Remote Control) without additional equipment
- trend values memory readable via modem
- DDC Central Control Unit optional with maximum load limit (E-Max-function)



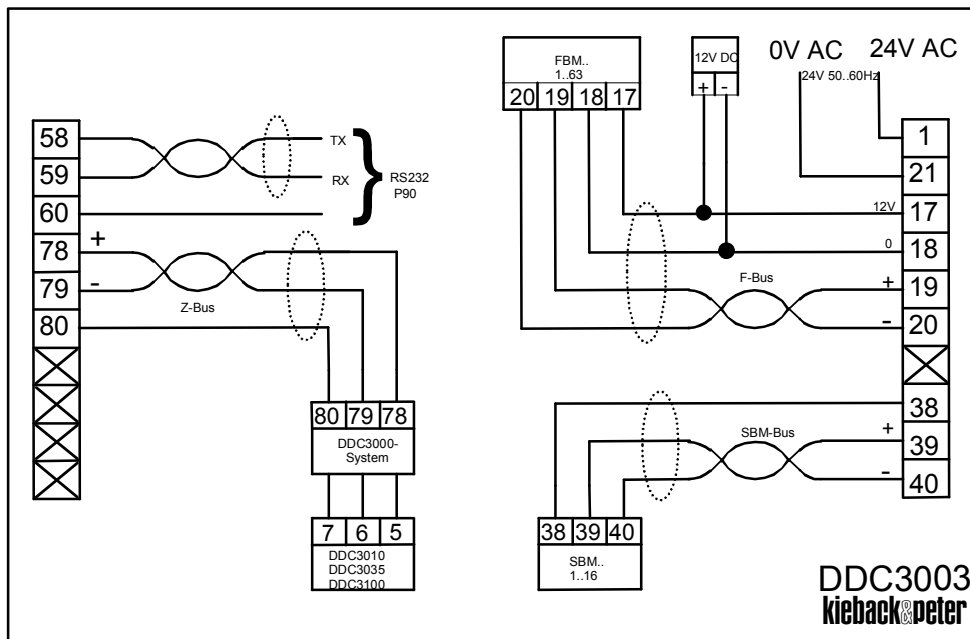
DDC3003 DDC Central Control Unit**Device description****Technical data**

Bus connection	Central Control Unit Bus; Z-Bus	99 DDC3000 Central Control Units; 1000m, 3000m with drivers; 100kBaund
	field bus; F-Bus	63 Field Bus Module FBM, Field Bus Reg. FBR; 2000m; 20kBaund, CAN
	Control Cabinet Bus; SBM-Bus	16 Control Cabinet Bus Module SBM; 200m; 40kBaund, CAN
Interfaces	serial RS232	building management system BMS, modem, operator display, printer (optional connection to diagnostic jack)
	PCMCIA	for memory card; update, data backup / recovery (behind the front panel)
	diagnostic jack	code key; device diagnosis
operating voltage	for DDC Central Control Unit	24V AC $\pm 10\%$; 50..60Hz; 14VA; 058A
	for Field Bus Module FBM	12V DC $\pm 20\%$
Fuses	mains fuse, T 0.63A	
address switch	00 .. 99 with 2 turning knobs; Central Control Units address; (behind the front panel)	
Displays	4x 20-character illuminated LCD, LED bus, LED Error	
switch / push-button	30 push-buttons	
processor	68302; 32 Bit; 16MHz	
Memory	1MByte RAM; 2MByte Flash-PROM	
operating system	PSOS 1.20; programming language C; realtime-capable; multitask-capable:	
power failure data backup	10 years, battery-buffered clock component	
deg.enclosure protection	IP40	
ambient temperature	0..45°C	
ambient humidity	in operation: 20..80%rF, non-condensing shut down: 5..90%rF, non-condensing	
Enclosure	19" short cassette of plastic, 4-fold cassette B x H x T ; 202mm x 132mm x 70mm	
front panel section	200.4mm x 112.0mm	
Weight	0.8kg	
identification	CE	

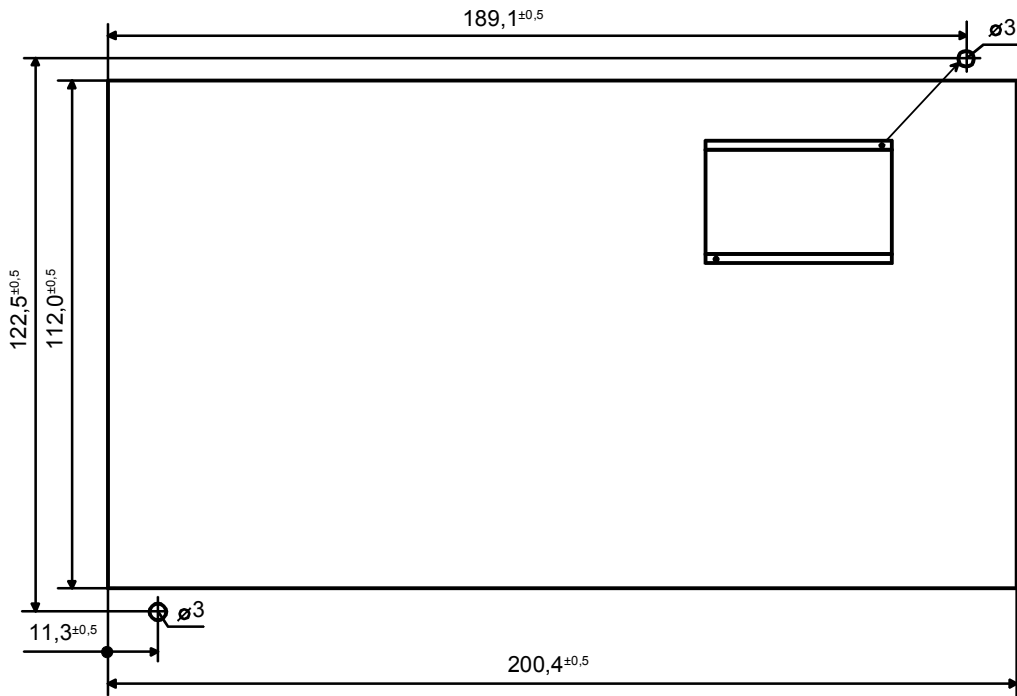
Device description

DDC3003 DDC Central Control Unit

Wiring diagram



Mounting dimensions



Date 23.05.2001

