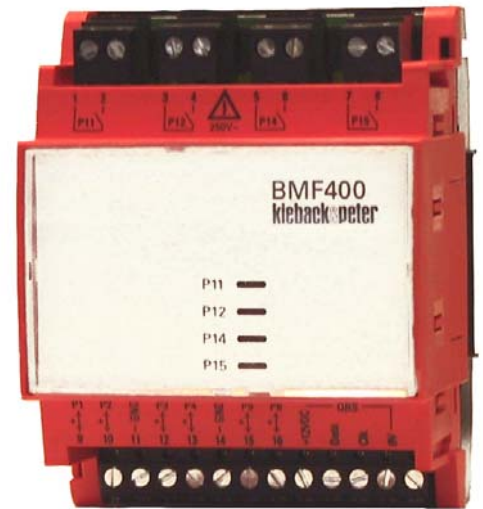


BMF400 Input/output module

Input/output module with six universal inputs/outputs and four floating relay outputs for function extensions of the BMR bus module controller.



Subject to change

Contents	Page
BMF400 input/output module	1
Information about device description	2
Safety instructions.....	2
Qualified technicians.....	2
Application.....	3
Type	3
Technical data	3
Dimensions	3
Connection	4
Installation	5
Dismantling.....	6

Issue date: December 6, 2006

Information about device description

The description contains information for using and installing the BMF400 input/output module.

If questions should arise which are not covered by the device description, further information should be obtained from the supplier or manufacturer.

The specified regulations/guidelines for installation apply for the Federal Republic of Germany.

When the devices are used abroad, the local regulations are to be complied with at the personal responsibility of the system installer or operator.

Operating personnel are to be instructed according to the description of the technical data sheet.

Safety instructions

The valid work protection, accident prevention and VDE regulations are to be observed for installing and using the devices.

Installation and set-up work on the devices may only be carried out by qualified technicians. See section "Qualified technicians".

Each person who uses the devices must have read and understood the descriptions on the technical data sheet.

If the device is not used according to the device description, the provided protection could be impaired.

Meanings of symbols on the technical data sheet:



Danger

Warning of dangerous electric voltage



Note

Additional note to be observed

Danger means that non-observance can lead to life-threatening danger, serious bodily injury or major material damage.

Note indicates information pointing out something which should be given special attention.

Qualified technicians

Qualified technicians in the context of the technical data sheet are persons who are familiar with the described devices and have the corresponding qualifications in their jobs.

This includes, for example:

- Authorization to connect the devices in accordance with VDE regulations and the local energy supply company regulations, as well as authorization for switching on, off and enabling devices taking the in-house regulations into consideration.
- Knowledge of accident prevention regulations
- Knowledge about the use of devices within the system
- etc.

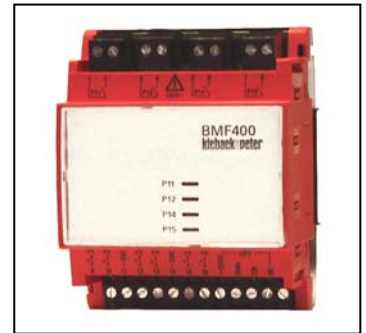
Device description

BMF400 input/output module

Application

For expanding the inputs/outputs of the BMR bus module controller.

BMF400 function modules are available for BMR function expansions. Function modules can be directly connected to the BMR bus module controller via a Z179 cascade plug (is included in the delivery of the function module BMF400).



BMF400

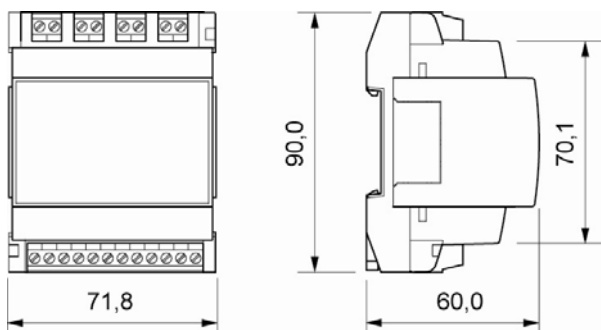
Type

BMF400 Input/output module with four floating relay outputs (NO contact) and six universal inputs/outputs which can be configured using the BMR bus module controller as analog or binary input/output.

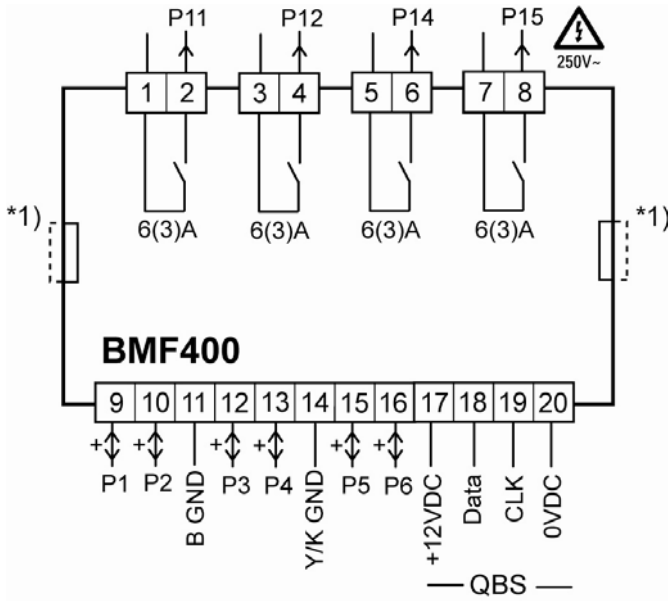
Technical data

Nominal voltage	8..18 V; 2.6 W Power is supplied via the BMR bus module controller.	
Inputs and outputs	4 binary outputs	Floating relay contact max. 6 (3) A; 250 V AC
	6 universal inputs/outputs	Can be configured as:
	- binary output	Transistor outputs 24 V DC, max. 40 mA
	- binary input	Contact input (floating)
	- analog output	0..10 V DC; max. 2.5 mA
	- analog input	Sensor type: KP10, KP250, (-50..150 °C); 0-10 V (0..100%), Ni1000 (DIN), Ni1000 (L&G), ML2 (-50..150 °C), PT100, PT1000 (-50..350 °C)
Interfaces	Cascade plug Z179	For communication with the BMR bus module controller
Displays	LED for signaling the state of the relay contacts	
Processor	8-bit processor	
Degree of protection	IP20 (when installed)	
Ambient temperature	0..45°C	
Ambient humidity	In operation:	20 – 80 % r.h., non-condensing
	Out of operation:	5 – 90 % r.h., non-condensing
Housing	Plastic housing	
Installation	Standard rail EN 50022 in closed housing	
	This device is intended for installation in a wall-mounted enclosure or control cabinet installation having protection class II	
Dimensions	WxHxD mm 71.8x90x60	
Weight	100 g	

Dimensions

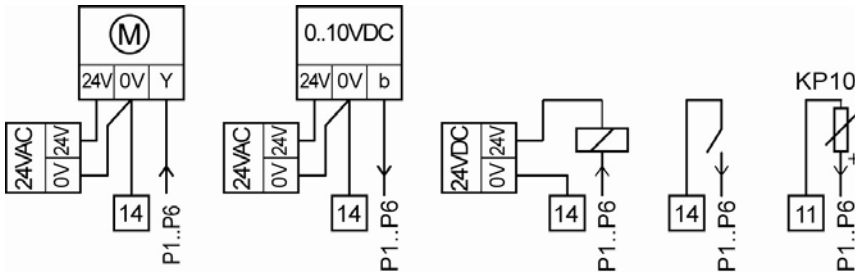


Connection



*1) Z179 cascade plug for BMF power supply and communication BMR <-->BMF

- Sensor and actuator connections



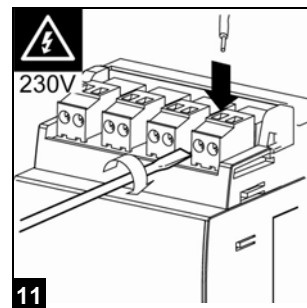
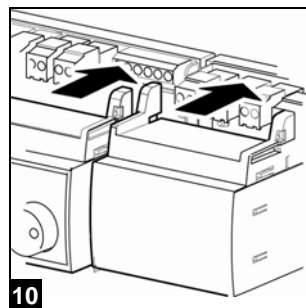
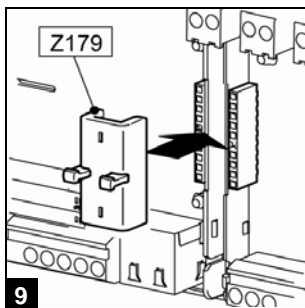
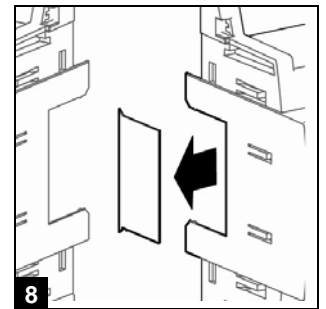
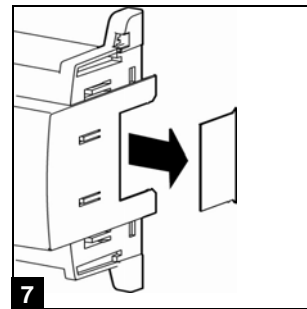
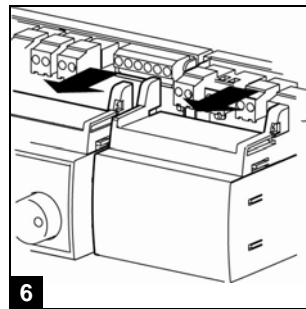
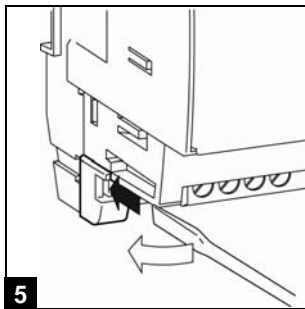
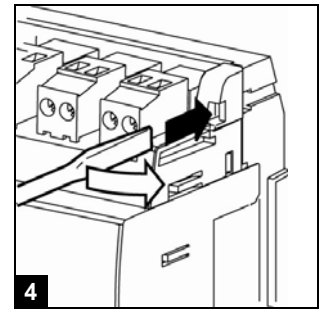
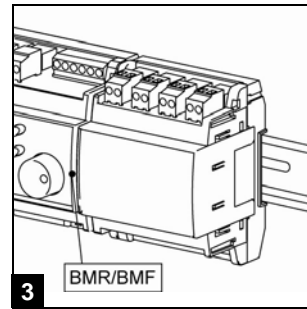
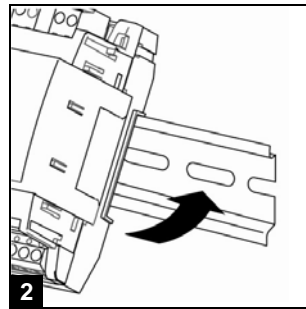
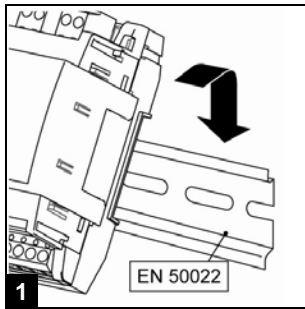
Deviating GND wiring may lead to error in measurement.

Note

Installation



Attention! Mains voltage 230 V
 Installation/dismantling may only be carried out by qualified technicians; voltage must first be disconnected from the cabinet/controllers.



Dismantling

