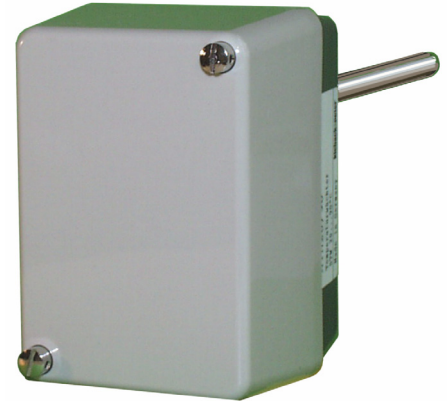


ATHS2 Temperature Monitor

Application

The ATHS2 Temperature Guard is DIN type-tested and monitors the temperature in heating system pipelines over a range from 0 to 100°C.

The ATHS2 has a switching output (changeover switch).



Contents	Page
Important Information Regarding Product Safety	2
Item	3
Technical Data	3
Accessories (not included in delivery)	3
Dimensions	3
Installation	4
Connection	4
Installation	4
Adjusting the nominal value	5

Änderungen vorbehalten - Contents subject to change - Sous réserve de modifications - Reservado el derecho a modificación - Wijzigingen voorbehouden - Con riserva di modifiche - Innehåll som skall ändras - Změny vyhrazeny - Zmiany zastrzeżone - Возможны изменения - A változtatások jogát fenntartjuk - 保留未经通知而改动的权力

Important Information Regarding Product Safety

Safety Instructions

This data sheet contains information on installing and commissioning the product "ATHS2 Temperature Monitor". Each person who carries out work on this product must have read and understood this data sheet. If you have any questions that are not resolved by this data sheet, you can obtain further information from the supplier or manufacturer.

If the product is not used in accordance with this data sheet, the protection provided will be impaired.

Applicable regulations must be observed when installing and using the device. Within the EU, these include regulations regarding occupational safety and accident prevention as well as those from the VDE (Association for Electrical, Electronic & Information Technologies). If the device is used in other countries, it is the responsibility of the system installer or operator to comply with local regulations.

Mounting, installation and commissioning work on the devices may only be carried out by qualified technicians. Qualified technicians are persons who are familiar with the described product and who can assess given tasks and recognize possible dangers due to technical training, knowledge and experience as well as knowledge of the appropriate regulations.

Legend



WARNING

Indicates a hazard of medium risk which can result in death or severe bodily injury if it is not avoided.



CAUTION

Indicates a hazard of low risk which can result in minor or medium bodily injury if it is not avoided.



NOTICE

Indicates a hazard of medium risk which can result in material damage or malfunctions if it is not avoided.



NOTE

Indicates additional information that can simplify the work with the product for you.

Notes on Disposal

For disposal, the product is considered waste from electrical and electronic equipment (electronic waste) and must not be disposed of as household waste. Special treatment for specific components may be legally binding or ecologically sensible. The local and currently applicable legislation must be observed.

Item

ATHS2 Capillary Temperature Guard with a switching output for temperature range 0 to 100°C

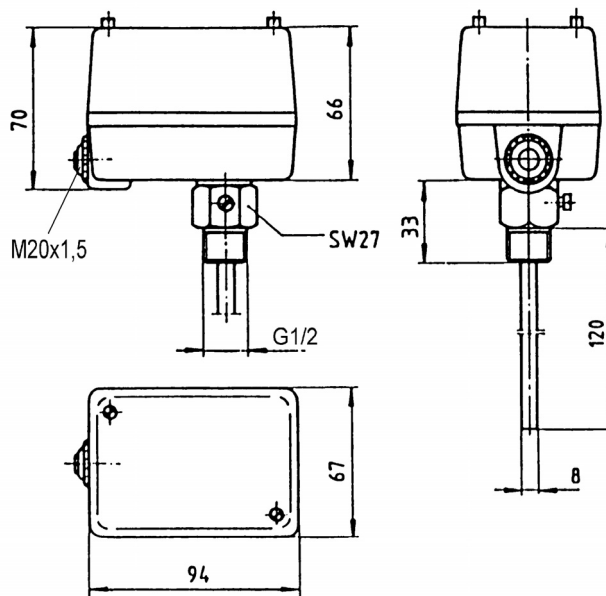
Technical Data

Output	1 changeover switch; max AC 230 V, 10 (2) A Switching difference approx. 5 K
Thermowell	Nickel-plated brass, Ø 8 mm; 100 m long, G½; PN 25
Measuring system	Capillary
Connection	Screw terminals
Ambient temperature	Max. 80 °C at the switch button
Degree of protection	IP 54
Mark of conformity	DIN TW89201
Cover attachment	Lead-sealable cover screws
Certification symbol	Tested according to DIN EN 14597:2005-12Registration number TW89207

Accessories (not included in delivery)

Z9/10 Thermowell made of stainless steel 1.4571; PN 40Ø 8 mm; 100 mm long, threaded connection G½

Dimensions



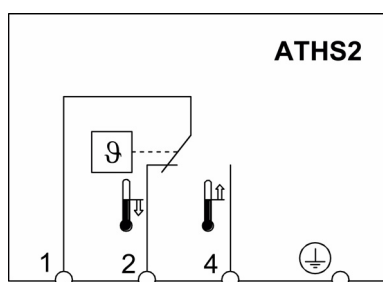
Installation

**CAUTION**

Only qualified technicians may install or remove the device.

In addition to the generally valid installation guidelines for working on pipelines, the following must be observed:

- There may be no temperature stratifications in the pipeline at the installation location.
- The medium must completely flow around the thermowell with the capillary measurement system, which must face against the direction of flow. A pipe elbow provides an ideal installation location.
- Use a wrench (SW27) to tighten the thermowell shaft (G½).
- In order to prevent moisture (condensate/pipe leakage) from entering the connection housing, the cable entry should point downwards. If that is not possible, make a downward-facing loop in the connection cable.

Connection**Installation**

**WARNING**

Contact with live parts of electrical domestic installation can cause death due to electric shock.

Only connect the device and switch on the power supply if you are qualified to do so. Be sure to comply with VDE guidelines and local wiring regulations.

Switching function:

If the temperature rises to or exceeds the set nominal value, the changeover switch switches from terminals 1 - 2 to 1 - 4. If the temperature falls to approx. 5 K below the nominal value, the changeover switch resets.

Adjusting the nominal value

**WARNING**

Mains voltage 230 V only.

Electrical installation and the device connection may only be carried out by qualified technicians (e.g. an electrician), and voltage must first be disconnected from the Temperature Guard.

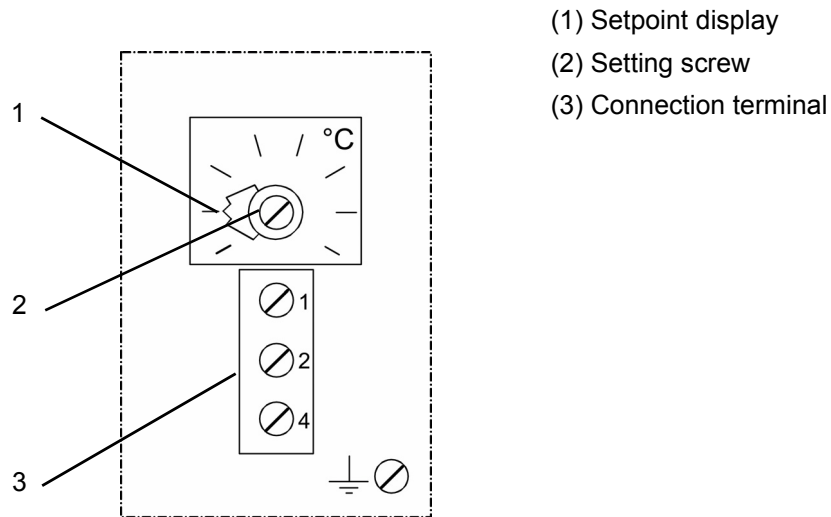


Illustration does not show cover

Adjusting the nominal value:

- Switch off mains power supply.
- Remove the ATHS2 cover (2 screws)
- Turn the setting screw with a screwdriver to adjust the nominal value (switching point)
- Replace the cover and screw tightly into place.
- Switch on mains power supply.

